

# LN8286

BL Arealinear

Linear LED Wall Washer  
100-277VAC Line Voltage



LN8286 is a high-performance, low-profile, linear LED facade light, perfect for wall washing and area flood effects, in addition to grazing, accenting, backlighting, and architectural highlighting. Each luminaire is durably constructed with an internal 100-277VAC power supply, anodized aluminum housing, and tempered glass lens, is rated IP65 for wet locations, and comes with two 180° adjustable mounting brackets. Static colors and DMX controllable RGBW are available in multiple beam angle options, perfect for creating dynamic illumination of landscapes, signage, monuments, multi-tiered structures, canopies and facades.

Up to 4,050 lm/unit 100-277VAC

CLIENT	
PROJECT NAME	
LOCATION	
DATE	

## Product Detail



### Maximum per series:

- 32 units(Signal)
- 4FT - 10 units (Power)
- 2FT - 17 units (Power)
- 1FT - 33 units (Power)

Lighting	Power	65W(4ft), 35W(2ft), 18W(1ft)
	Lamp	Epistar chips 2.5W
	Average Life	30,000 Hours
Electrical	Controls	0-10V, DMX, Bluetooth
	Input Voltage	100-277VAC
	Connections	XLR 3Pin DMX IN/OUT
	Frequency	60Hz
Mechanical	Housing Construction	Aluminum Body, Tempered Glass Lens
	Weight	6.1kg (13.5lb)
	Mounting	Integrated Mounting Bracket
Accessories	Adjustable Bracket	180°
	LN8286 PCH	Power Cable 3pin Connector (5FT, 15FT, 30FT)
	LN8286 PCE	Power Cable Extension 3pin Connector (5FT, 15FT, 30FT)
	LN8286 DMX 3PH	DMX Cable 3-Pin Connector (5FT, 15FT, 30FT)
	LN8286 DMX 3PE	DMX Cable Extension 3-Pin Connector (5FT, 15FT, 30FT)
Environmental	LN8286 DMX RT 3MP	DMX Terminator 3-Pin Male Connector (120-ohm Resistor)
	Ingress Protection	IP65
	Certifications	ETL, CE
	Operating Temperature	-4°F to 104°F(-20°C to 40°C)

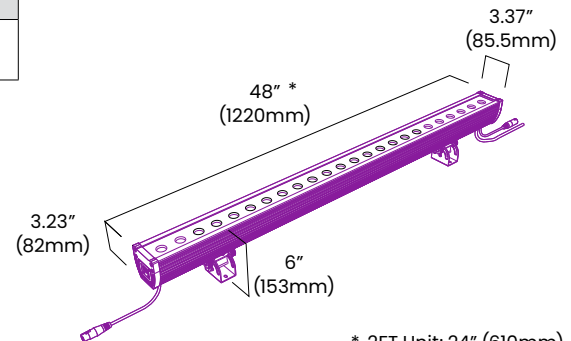
## Performance

CCT/Color		3000K	4000K	RGBW (3000K)	RGBW (4000K)
Power	W/4FT unit	65	65	65	65
Lumens	lm/4FT unit	4050	3900	1950	2086
Efficacy	lm/W	62	60	30	32
CRI	CRI	80			

## Ordering

Product Code	Series	Length	CCT/Color	Beam Angle	Input Voltage	IP Rating
LN8286	L				UNI	IP65
		12 (1FT)	3000K	15°		
		24 (2FT)	4000K	30°		
		48 (4FT)	RGBW(3000K)	45°		
			RGBW(4000K)			

## Dimensions



\* 2FT Unit: 24" (610mm)  
1FT Unit: 12" (305mm)

### BL LIGHTING ILLUMINATE EVERYTHING

111 - 8838 Heather St. Vancouver, BC, Canada. V6P 3S8  
P: 1-804-874-4405 E: info@bllighting.com  
Copyright © BL INNOVATIVE LIGHTING. All Rights Reserved.

Solid State Lighting is sensitive to power fluctuations. Surge protection is highly recommended for all LED lighting products and should be on a dedicated circuit to protect against premature failure. Lack of surge protection may void your warranty.

Designed & Assembled in North America.

Specifications subject to change without notice. Please refer to our website at bllighting.com for current technical data.

For more information, please download the BL LIGHTING catalog

bllighting.com

