



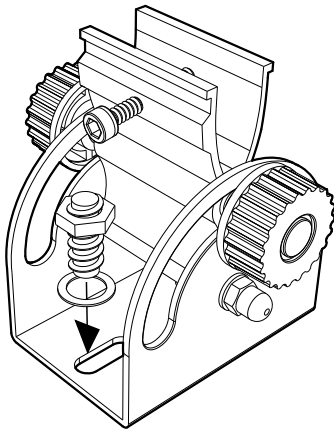
Please note that these instructions are guidelines only and in no way supersede any construction or installation standards. Local building and electrical codes should be consulted before installation.

ATTENTION

- There is potential danger of electrical shock when operating electrical components.
- Make sure power is turned off before installation.
- Allow for heat dissipation and adequate ventilation.

SURFACE MOUNT
Mountable base with 180° Adjustable Bracket

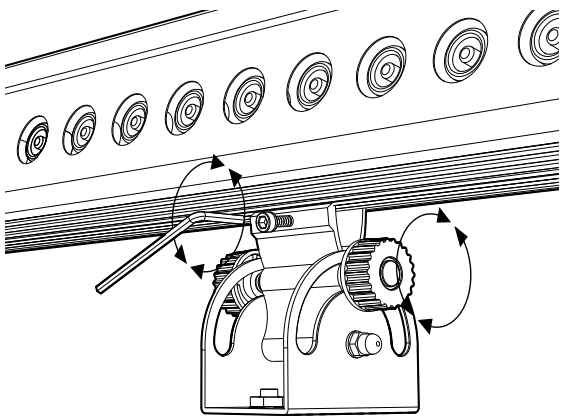
1



1.

- A. Position **LN8286** mounting bracket at desired location of install.
- B. Fasten mounting bracket with bolts through mounting holes.

2



2.

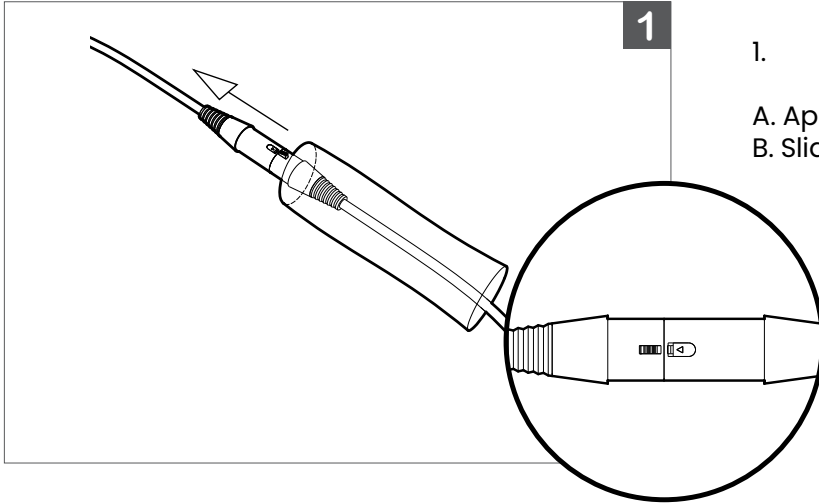
- A. Snap in **LN8286** luminaire into mounting bracket and tighten with provided Hex Key.
- B. Loosen grip dial on adjustable bracket, and swivel luminaire head as required.
- C. Tighten dial to secure angle



CONNECTIONS

How To Water-Proof Connection Points

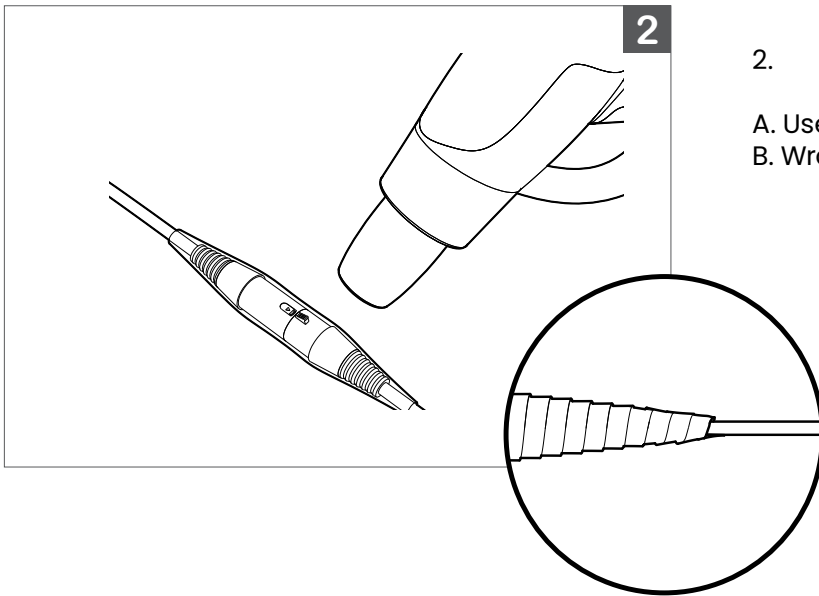
1



1.

- A. Apply silicone sealant to connection points.
- B. Slide on heat shrink sleeve.

2



2.

- A. Use heat gun on heat shrink.
- B. Wrap water-proof tape at ends of heat shrink.

