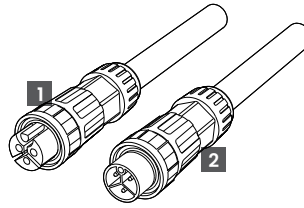
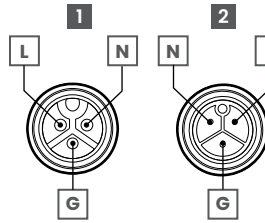


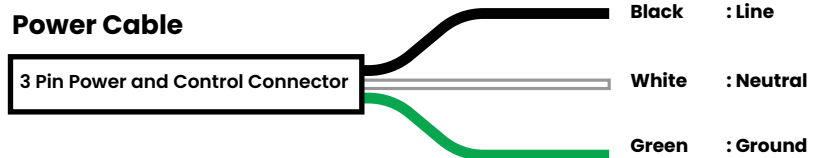
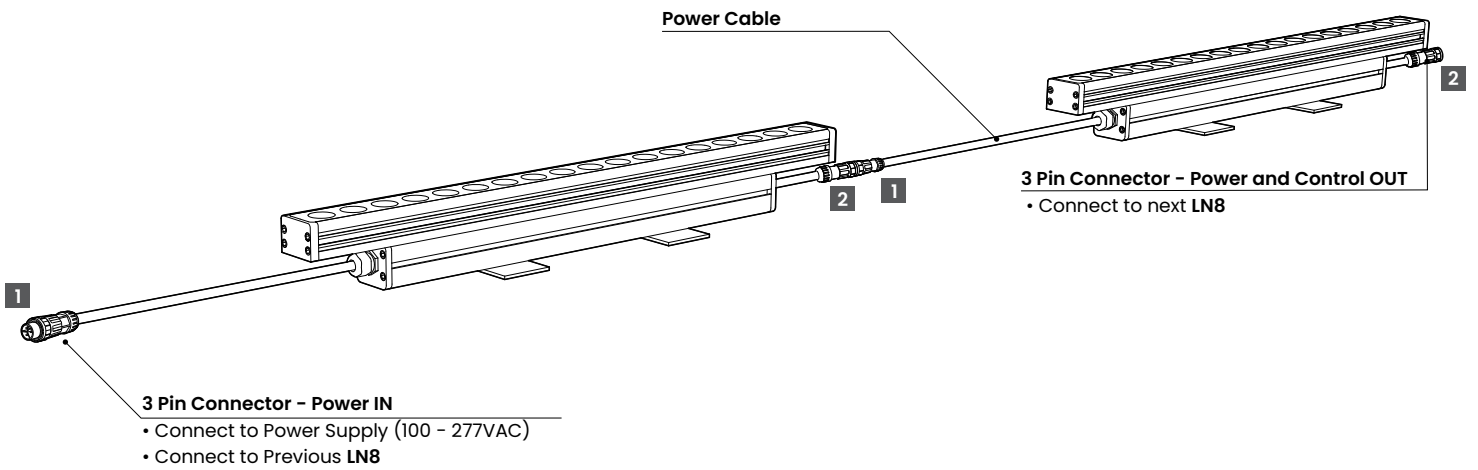
**CONNECTIONS**  
Power (3 Pin)



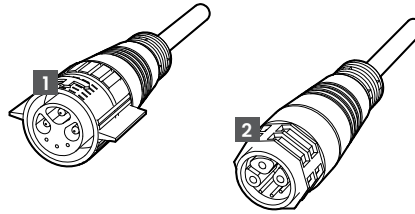
- 1** Female 3 Pin Connector - Power IN
- 2** Male 3 Pin Connector - Power OUT



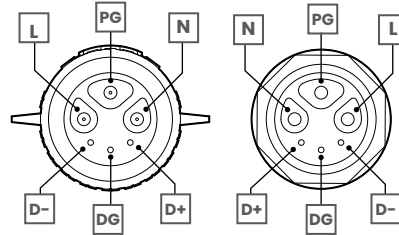
- L** Line
- N** Neutral
- G** Ground



**CONNECTIONS**  
Power and Control 6 Pins



- 1** 6 Pin Connector - Power and Control IN
- 2** 6 Pin Connector - Power and Control OUT



- L** Black : Line
- PG** Green : Ground
- N** White : Neutral
- D+** Purple : DIM +
- D-** Pink : DIM -
- DG** Yellow : Common

