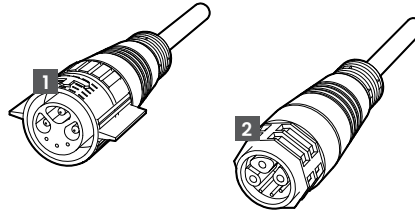
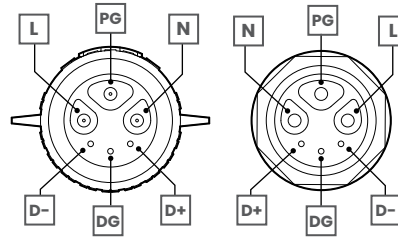


CONNECTIONS

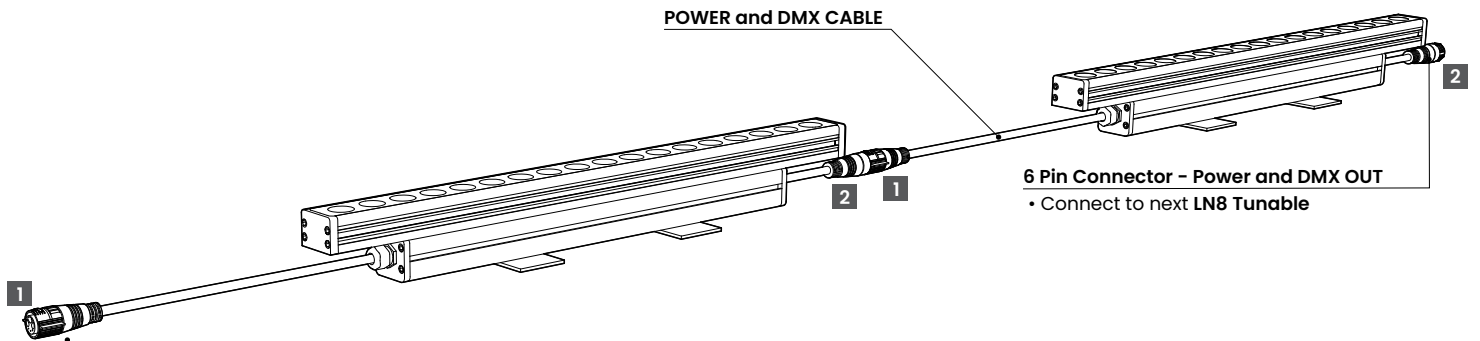
Power and DMX 6 Pins



- 1** 6 Pin Connector - Power and DMX IN
- 2** 6 Pin Connector - Power and DMX OUT



- L** Black : Line
- PG** Green : Ground
- N** White : Neutral
- D+** Purple : DMX +
- D-** Pink : DMX -
- DG** Yellow : Common



- 6 Pin Connector - Power and DMX IN**
- Connect to Power Supply (100 - 277VAC)
 - Connect to Master Controlle (Previous LN8 Tunable)

- 6 Pin Connector - Power and DMX OUT**
- Connect to next LN8 Tunable

*** Maximum Number of Fixtures in Series**

Power/ft	Main Voltage	Max Power	Fixture Length	Max No. of Fixture
10W	120V	1080W	2 FT	54
			3 FT	36
			4 FT	27

NOTE: The values and numbers mentioned above are typical estimates. Actual figures may vary depending on cable lengths and the signal source.

POWER and CONTROL CABLE



- Black** : Line
- Green** : Ground
- White** : Neutral
- Purple** : DMX +
- Pink** : DMX -
- Yellow** : Common

