

LN8 Tunable

BL Arealinear

Linear LED Wall Washer
Up to 40W, 100-277VAC Line Voltage



LN8 Tunable is a compact linear luminaire designed to integrate into architectural environments where precise white color temperature control is essential. Available in multiple lengths, it delivers smooth transitions across adjustable white color temperatures using advanced DMX/RDM control. Featuring a durable aluminum housing and long-life LEDs, LN8 Tunable ensures reliable performance. Multiple beam angle options and optional anti-glare louvers provide flexibility for wall or floor mounting in indoor and outdoor applications.

Up to 2800lm/unit 100-277VAC 2FT, 3FT and 4FT Length Options

CLIENT	
PROJECT NAME	
LOCATION	
DATE	

Product Detail



Lighting	Lamp	SMD3535
	LED Qty	9 LEDs/ft (29 LEDs/m)
	Power	20W (2FT), 30W (3FT), 40W (4FT)
	Beam Angle	20°, 35°, 50°, 20°x40°
	CCT Binning	<3 SDCM
	Average Life	50,000 Hours
Electrical	Controls	DMX, RDM
	Input Voltage	100-277VAC
	Max Input Current	9A
	Max Output Current	8.67A
Mechanical	Connections	3x16AWG+3x22AWG Wires
	Power Cord Length	1ft (300mm), 6.56ft (2000mm), 19.69ft (6000mm)
	Housing Construction	Aluminium
	Weight	5.77lb/2.62kg (2FT), 8.36lb/3.8kg (3FT), 10.8lb/4.9kg (4FT)
	Dimensions	L: 23.62"/35.43"/47.24" x W: 2.57" x D: 3.07" (L: 600/900/1200 x W: 65.4mm x D: 78.0mm)
Accessories	Mounting	Wall / Floor
	PCH LN6260	Power Cable 3-Pin (5FT, 15FT, 30FT)
	PCE LN6260	Power Cable Extension 3-Pin (5FT, 15FT, 30FT)
Environmental	Ingress Protection	IP66
	Operating Temperature	-4°F to 122°F (-20°C to 50°C)
	Certifications	ETL, CE, RoHS

Ordering

Product Code	Series	Length	CCT	Beam Angle	Controls	Finish	Input Voltage	IP Rating
LN8TN	L						UNI	IP66
		2FT	2200K+4000K	15°	DMX	BK = Black		
		3FT	1800K+6000K	30°	RDM	DG = Dark Gray		
		4FT		60°		GR = Gray		
				20°x40°		WH = White		

BL LIGHTING ILLUMINATE EVERYTHING

111 - 8838 Heather St. Vancouver, BC, Canada. V6P 3S8
P: 1-804-874-4405 E: info@bllighting.com
Copyright © BL INNOVATIVE LIGHTING. All Rights Reserved.

Solid State Lighting is sensitive to power fluctuations. Surge protection is highly recommended for all LED lighting products and should be on a dedicated circuit to protect against premature failure. Lack of surge protection may void your warranty.

Designed & Assembled in North America.

Specifications subject to change without notice. Please refer to our website at bllighting.com for current technical data.

For more information, please download the BL LIGHTING catalog

bllighting.com



Performance

Fixture Length: 1.97FT (600mm)

CCT/Color		2200K + 4000K	1800K + 6000K
Power	W/unit	20	
Lumens	lm/unit	1400	
Efficacy	lm/W	70	
CRI	CRI	80	

Fixture Length: 2.95FT (900mm)

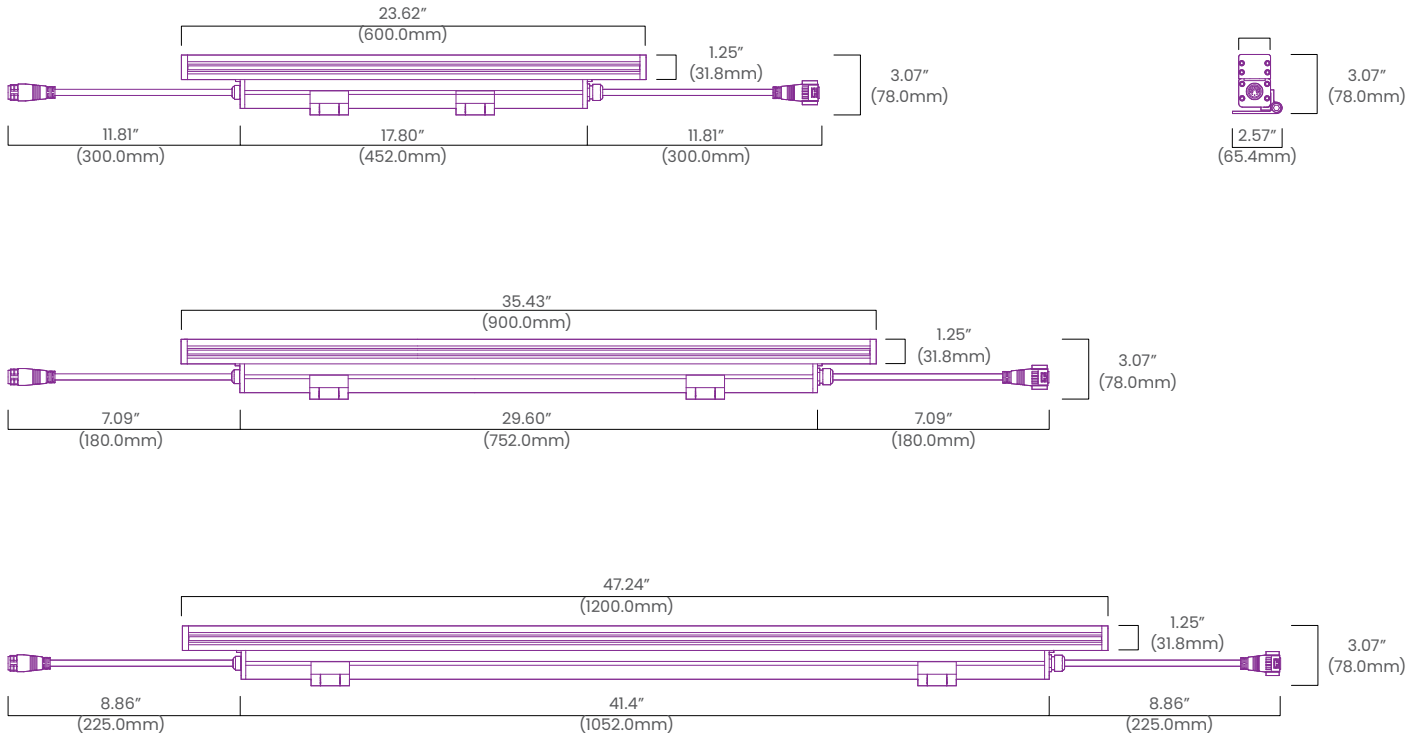
CCT/Color		2200K + 4000K	1800K + 6000K
Power	W/unit	30	
Lumens	lm/unit	2100	
Efficacy	lm/W	70	
CRI	CRI	80	

Fixture Length: 3.94FT (1200mm)

CCT/Color		2200K + 4000K	1800K + 6000K
Power	W/unit	40	
Lumens	lm/unit	2800	
Efficacy	lm/W	70	
CRI	CRI	80	



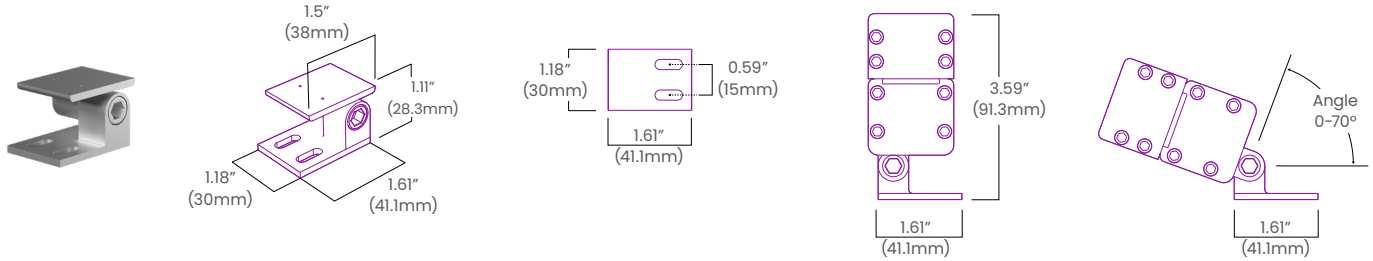
Dimensions



Mounting Accessories

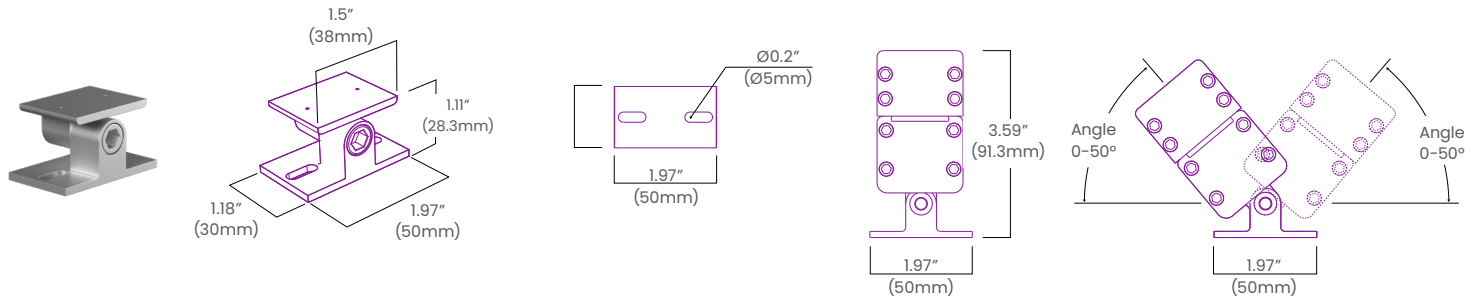
Surface Adjustable 70° Mounting Bracket

AD70-LN8-L-MA



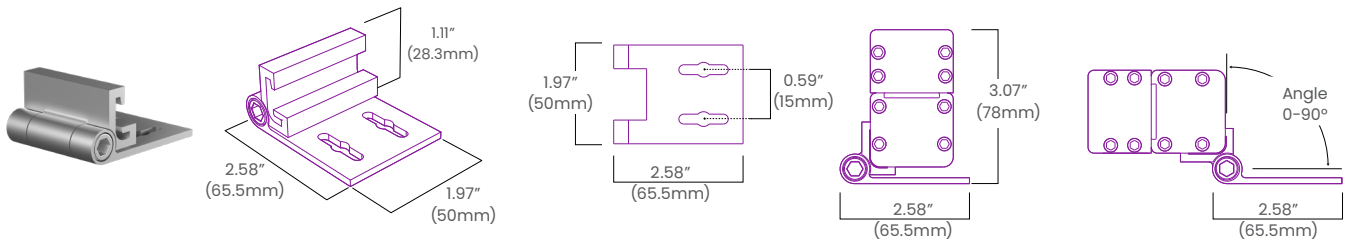
Surface Adjustable 50° Mounting Bracket

AD50-LN8-L-MA



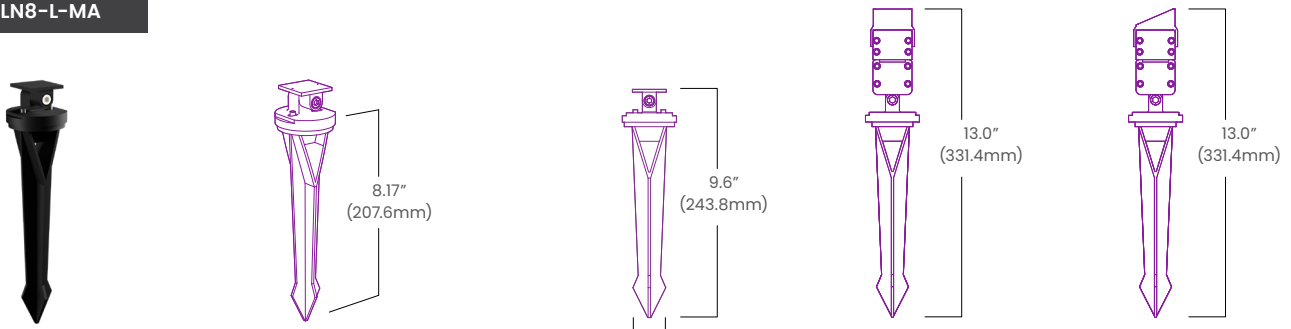
Flat 90° Mounting Bracket

FT90-LN8-L-MA



Adjustable 180° Mounting Bracket Landscape Spike

SK-LN8-L-MA



Anti-Glare Accessories

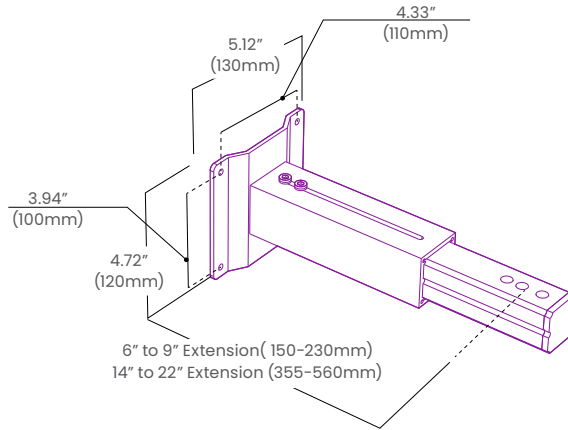
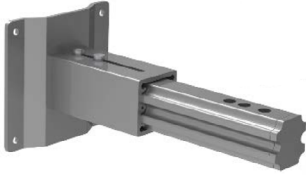
Adjustable Wall Mount Arm (2 sizes available)

ASM-LN8-L-MA

6" to 9" Extension

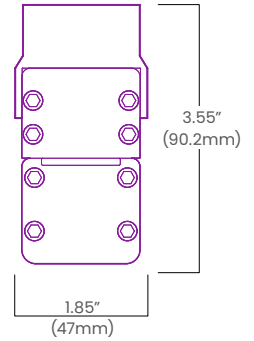
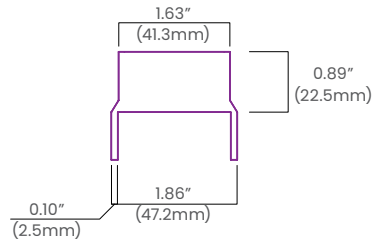
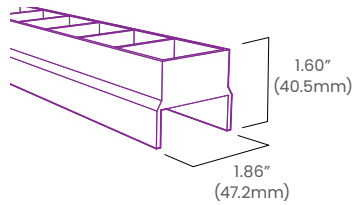
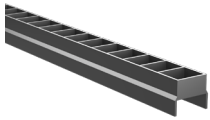
ALG-LN8-L-MA

14" to 22" Extension



Symmetric Anti-Glare Shield

SYSD-LN8-L-AG



Asymmetric Anti-Glare Shield

AYSD-LN8-L-AG

