

# LN8

BL Arealinear

Linear LED Wall Washer  
Up to 40W, 100-277VAC Line Voltage



LN8 is a high performance, IP66-rated linear luminaire designed for seamless architectural integration. Available in three lengths, it delivers flexible, precise illumination for walls or floors with multiple mounting options and beam angles. Featuring durable aluminum construction, high lumen efficiency, optional anti-glare louvers, and long-lasting LEDs (50,000 hours), LN8 ensures consistent quality and easy installation. Compatible with various dimming controls, it supports projects requiring reliable, versatile lighting solutions for both indoor and outdoor applications.

Up to 5000lm/unit    100-277VAC    2FT, 3FT and 4FT Length Options

CLIENT	
PROJECT NAME	
LOCATION	
DATE	

## Product Detail



<b>Lighting</b>	Lamp	SMD3535
	LED Qty	9 LEDs/ft (29 LEDs/m)
	Power	20W (2FT), 30W (3FT), 40W (4FT)
	Beam Angle	12°, 15°, 20°, 25°, 40°, 20°x40°, 15°x55°
	CCT Binning	<3 SDCM
	Average Life	50,000 Hours
<b>Electrical</b>	Controls	0-10V, TRIAC, DALI
	Input Voltage	100-277VAC
	Max Input Current	9A
	Max Output Current	8.67A
	Connections	3x16AWG (No controls) / 3x16AWG+3x22AWG Wires
<b>Mechanical</b>	Power Factor	>0.9
	Power Cable Length	1ft (300mm), 6.56ft (2000mm), 19.69ft (6000mm)
	Housing Construction	Aluminium
	Weight	5.5lb/2.5kg (2FT), 7.92lb/3.6kg (3FT), 10.7lb/4.85kg (4FT)
	Dimensions	L: 23.62"/35.43"/47.24" x W: 2.57" x D: 3.07" (L: 600/900/1200mm x W: 65.4mm x D: 78.0mm)
	Mounting	Wall / Floor
<b>Accessories</b>	PCH LN6260	Power Cable 3-Pin (5FT, 15FT, 30FT)
	PCE LN6260	Power Cable Extension 3-Pin (5FT, 15FT, 30FT)
<b>Environmental</b>	Ingress Protection	IP66
	Operating Temperature	-4°F to 122°F (-20°C to 50°C)
	Certifications	ETL, CE, RoHS Compliant

## Ordering

Product Code	Series	Length	CCT	Beam Angle	Controls	Finish	Input Voltage	IP Rating
LN8	L						UNI	IP66
		2FT	2700K	12°	NO	BK = Black		
		3FT	3000K	15°	0-10V	DG = Dark Gray		
		4FT	3500K	20°	TRIAC	GR = Gray		
			4000K	25°	DALI	WH = White		
			5000K	40°				
			6500K	20°x40°				
				15°x55°				

### BL LIGHTING ILLUMINATE EVERYTHING

111 - 8838 Heather St. Vancouver, BC, Canada. V6P 3S8  
P: 1-804-874-4405 E: info@bllighting.com  
Copyright © BL INNOVATIVE LIGHTING. All Rights Reserved.

Solid State Lighting is sensitive to power fluctuations. Surge protection is highly recommended for all LED lighting products and should be on a dedicated circuit to protect against premature failure. Lack of surge protection may void your warranty.

Designed & Assembled in North America.

Specifications subject to change without notice. Please refer to our website at bllighting.com for current technical data.

For more information, please download the BL LIGHTING catalog

bllighting.com



Performance

**Fixture Length: 1.97ft (600mm)**

CCT/Color		2700K	3000K	3500K	4000K	5000K	6500K
Power	W/unit	20					
Lumens	lm/unit	2500					
Efficacy	lm/W	125					
CRI	CRI	80					

**Fixture Length: 2.95ft (900mm)**

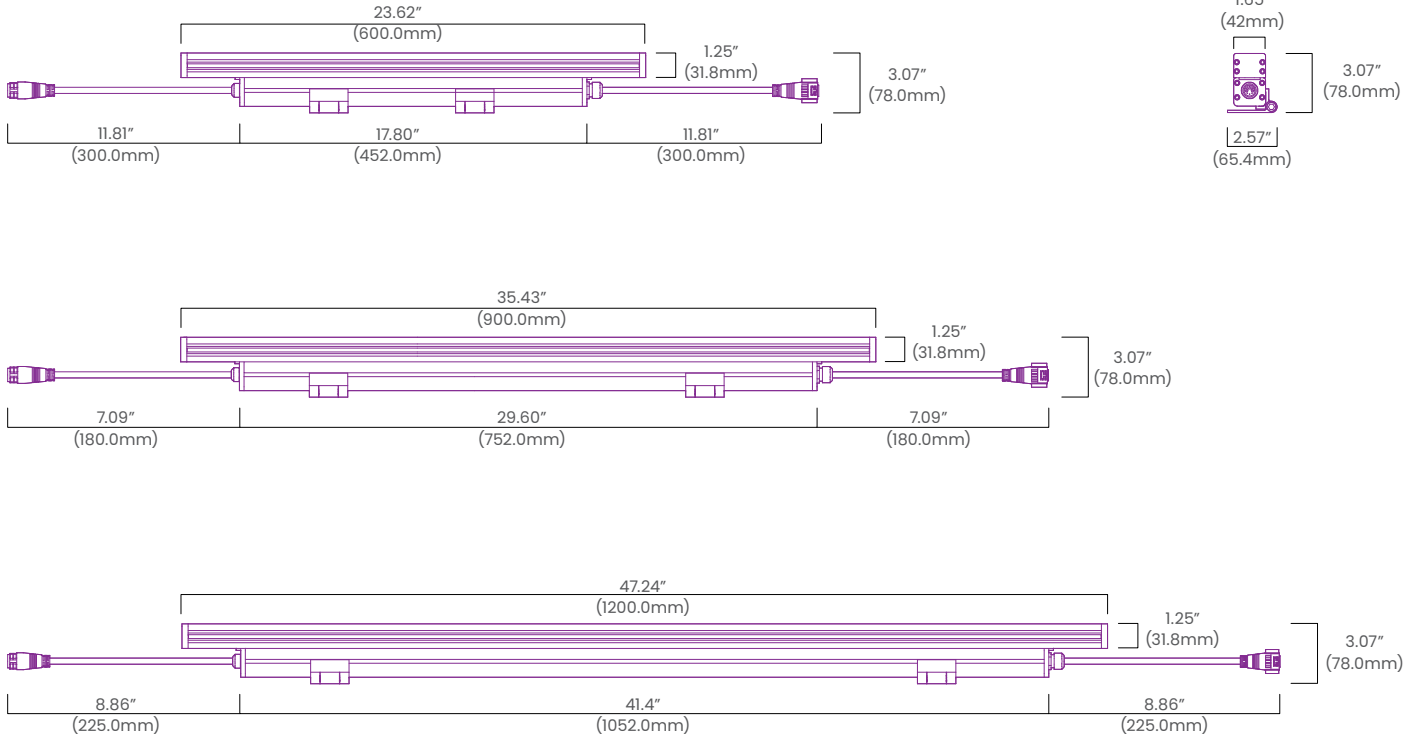
CCT/Color		2700K	3000K	3500K	4000K	5000K	6500K
Power	W/unit	30					
Lumens	lm/unit	3750					
Efficacy	lm/W	125					
CRI	CRI	80					

**Fixture Length: 3.94ft (1200mm)**

CCT/Color		2700K	3000K	3500K	4000K	5000K	6500K
Power	W/unit	40					
Lumens	lm/unit	5000					
Efficacy	lm/W	125					
CRI	CRI	80					



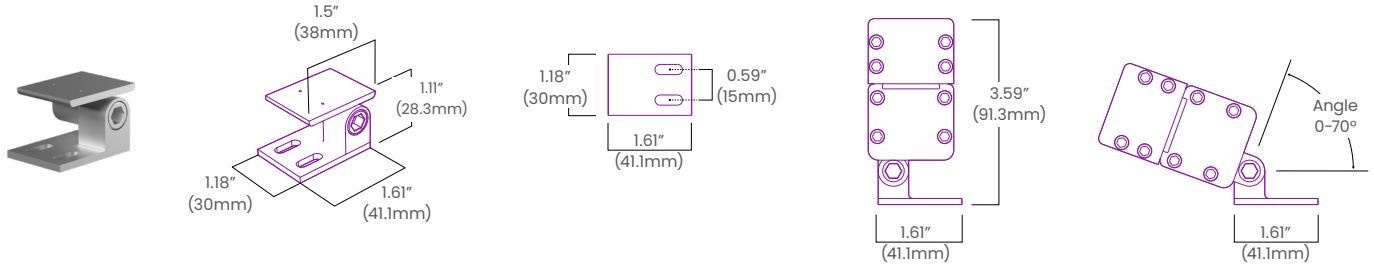
**Dimensions**



**Mounting Accessories**

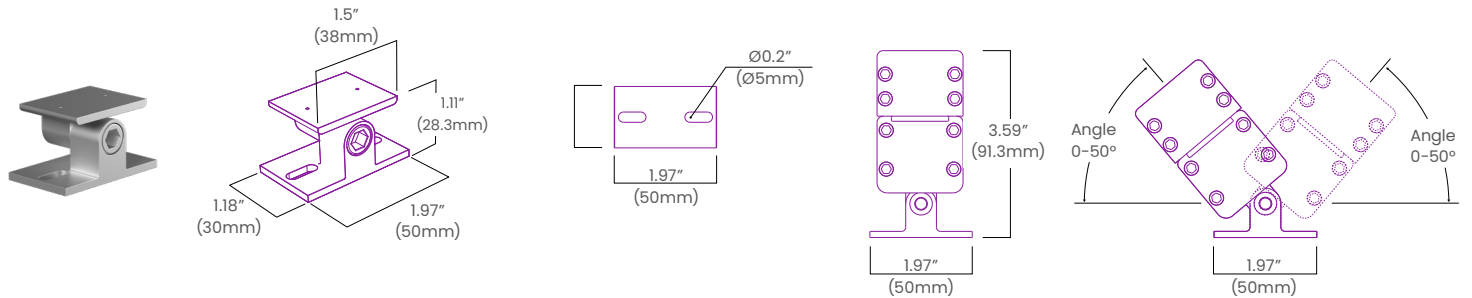
**Surface Adjustable 70° Mounting Bracket**

**AD70-LN8-L-MA**



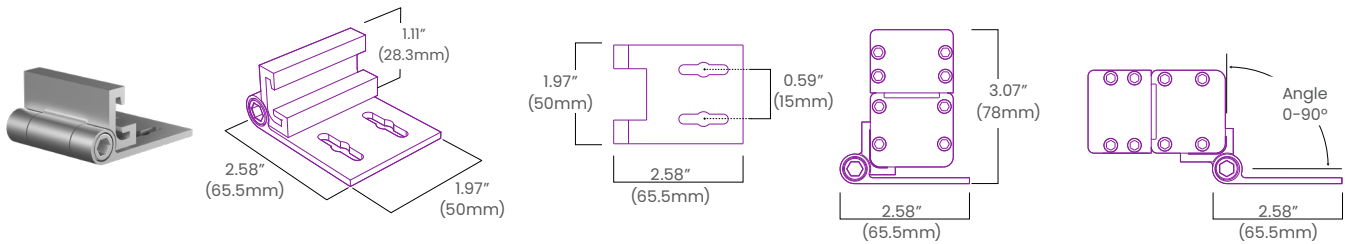
**Surface Adjustable 50° Mounting Bracket**

**AD50-LN8-L-MA**



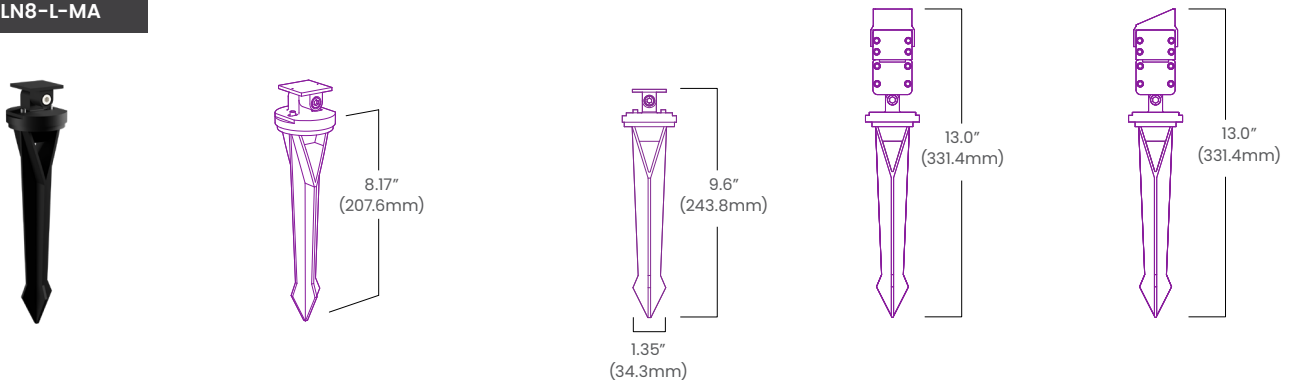
**Flat 90° Mounting Bracket**

**FT90-LN8-L-MA**



**Adjustable 180° Mounting Bracket Landscape Spike**

**SK-LN8-L-MA**



Anti-Glare Accessories

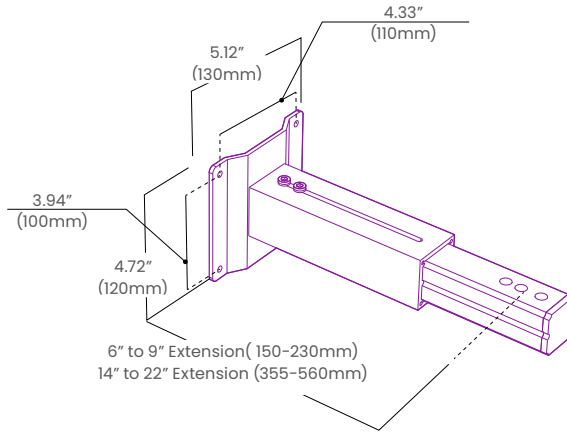
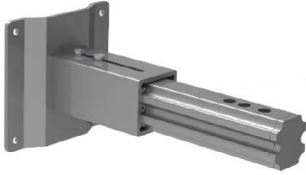
Adjustable Wall Mount Arm (2 sizes available)

**ASM-LN8-L-MA**

6" to 9" Extension

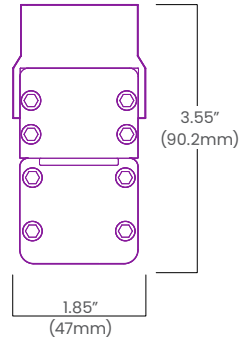
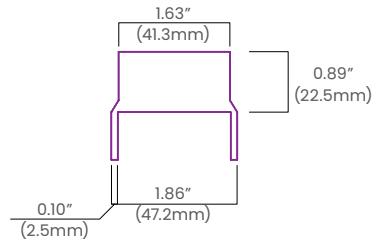
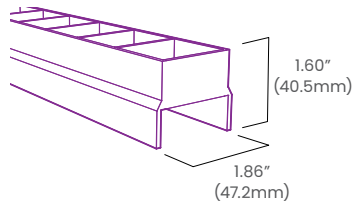
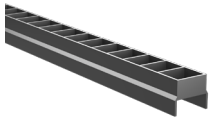
**ALG-LN8-L-MA**

14" to 22" Extension



Symmetric Anti-Glare Shield

**SYSD-LN8-L-AG**



Asymmetric Anti-Glare Shield

**AYSD-LN8-L-AG**

