

LN8 RGBW

BL Arealinear

Linear LED Wall Washer
Up to 40W, 100-277VAC Line Voltage



LN8 RGBW is a versatile linear luminaire that integrates seamlessly into any architectural design. Available in three lengths, it delivers precise, color-changing illumination with smooth RGB dimming and adjustable white using advanced DMX/RDM control. Featuring durable aluminum construction, high lumen efficiency, and long-lasting LEDs, LN8 RGBW ensures consistent performance and easy installation. Optional optics and multiple mounting options provide flexibility for walls or floors, making it ideal for dynamic indoor and outdoor lighting applications.

Up to 1600 lm/unit 100-277VAC 2FT, 3FT and 4FT Length Options

CLIENT	
PROJECT NAME	
LOCATION	
DATE	

Product Detail



Lighting	Lamp	TX-Series		
	LED Qty	7 LEDs/ft (24LEDs/m)		
	Power	20W (2FT), 30W (3FT), 40W (4FT)		
	Beam Angle	20°; 35°; 50°; 20°x40°		
	CCT Binning	<3 SDCM		
	Average Life	50,000 Hours		
	Controls	DMX, RDM		
	Input Voltage	100-277VAC		
	Max Input Current	9A		
	Max Output Current	8.67A		
Electrical	Control	DMX		
	Max. Series (Units)	32		
	Power	120V	240V	
	Max. Series (Units)	27	49	
	Connections	3x16AWG+3x22AWG Wires		
	Power Factor	>0.9		
	Power Cable Length	1ft (300mm), 6.56ft (2000mm), 19.69ft (6000mm)		
	Mechanical	Housing Construction	Aluminium	
		Weight	5.83lb/2.65kg (2FT), 8.14lb/3.7kg (3FT), 10.8lb/4.93kg (4FT)	
		Dimensions	L: 23.62"/35.43"/47.24" x W: 2.57" x D: 3.07" (L: 600/900/1200mm x W: 65.4mm x D: 78.0mm)	
Mounting		Wall / Floor		
Accessories	PCH LN6260	Power Cable 3-Pin (5FT, 15FT, 30FT)		
	PCE LN6260	Power Cable Extension 3-Pin (5FT, 15FT, 30FT)		
Environmental	Operating Temperature	-4°F to 122°F (-20°C to 50°C)		
	Ingress Protection	IP66		
	Certifications	ETL, CE, RoHS Compliant		

Ordering

Product Code	Series	Length	CCT	Beam Angle	Controls	Finish	Input Voltage	IP Rating
LN8C	L						UNI	IP66
		2FT	RGBW(2700K)	20°	DMX	BK = Black		
		3FT	RGBW(3000K)	35°	RDM	DG = Dark Gray		
		4FT	RGBW(4000K)	50°		GR = Gray		
			RGBW(6500K)	20°x40°		WH = White		

BL LIGHTING
ILLUMINATE EVERYTHING

111 - 8838 Heather St. Vancouver, BC, Canada. V6P 3S8
P: 1-804-874-4405 E: info@bllighting.com
Copyright © BL INNOVATIVE LIGHTING. All Rights Reserved.

Solid State Lighting is sensitive to power fluctuations. Surge protection is highly recommended for all LED lighting products and should be on a dedicated circuit to protect against premature failure. Lack of surge protection may void your warranty.

Designed & Assembled in North America.

Specifications subject to change without notice. Please refer to our website at bllighting.com for current technical data.

For more information, please download the BL LIGHTING catalog

bllighting.com



Performance

Fixture Length: 1.97ft (600mm)

CCT/Color		RGBW(2700K)	RGBW(3000K)	RGBW(4000K)	RGBW(6500K)	Red	Green	Blue
Power	W/unit				20			
Lumens	lm/unit				800			
Efficacy	lm/W				40			

Fixture Length: 2.95ft (900mm)

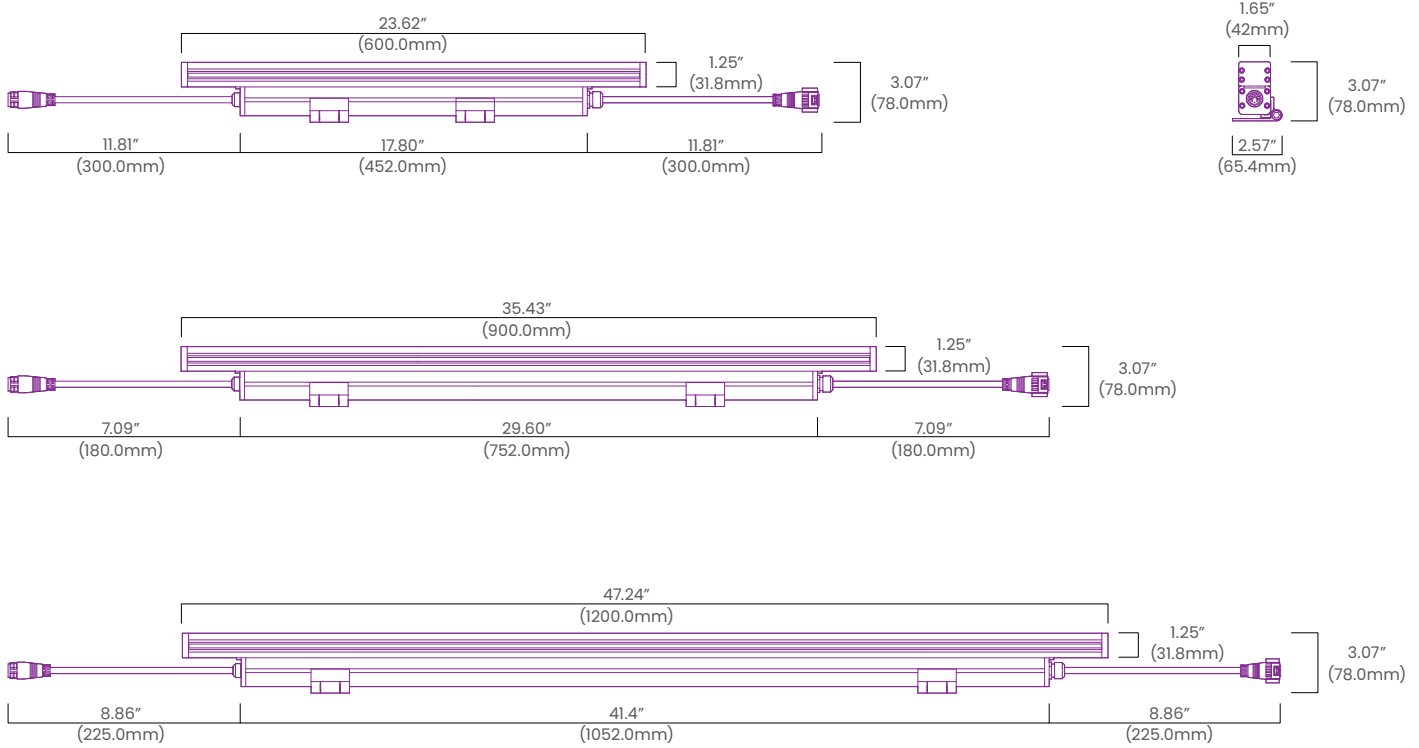
CCT/Color		RGBW(2700K)	RGBW(3000K)	RGBW(4000K)	RGBW(6500K)	Red	Green	Blue
Power	W/unit				30			
Lumens	lm/unit				1200			
Efficacy	lm/W				40			

Fixture Length: 3.94ft (1200mm)

CCT/Color		RGBW(2700K)	RGBW(3000K)	RGBW(4000K)	RGBW(6500K)	Red	Green	Blue
Power	W/unit				40			
Lumens	lm/unit				1600			
Efficacy	lm/W				40			



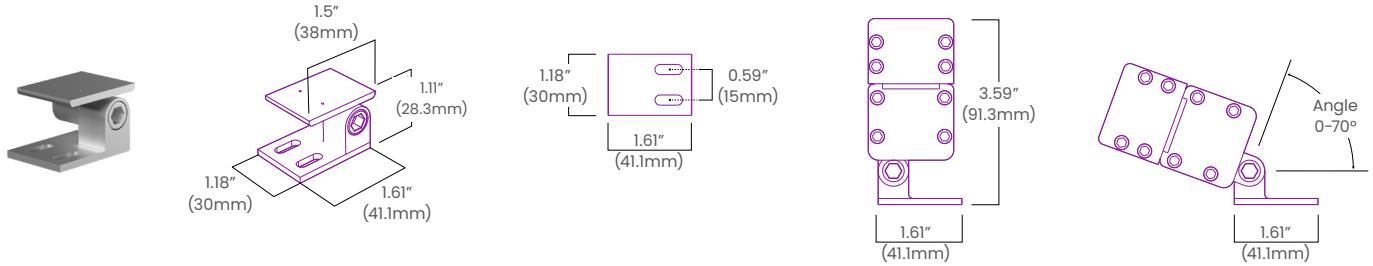
Dimensions



Mounting Accessories

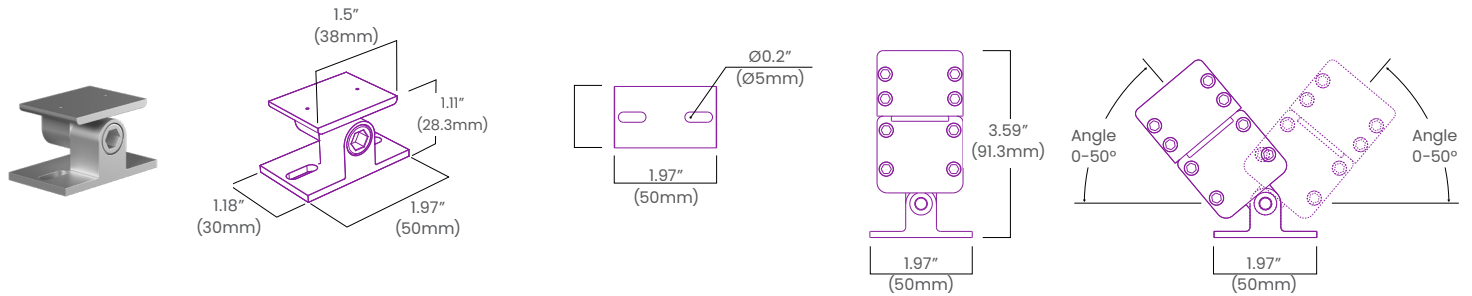
Surface Adjustable 70° Mounting Bracket

AD70-LN8-L-MA



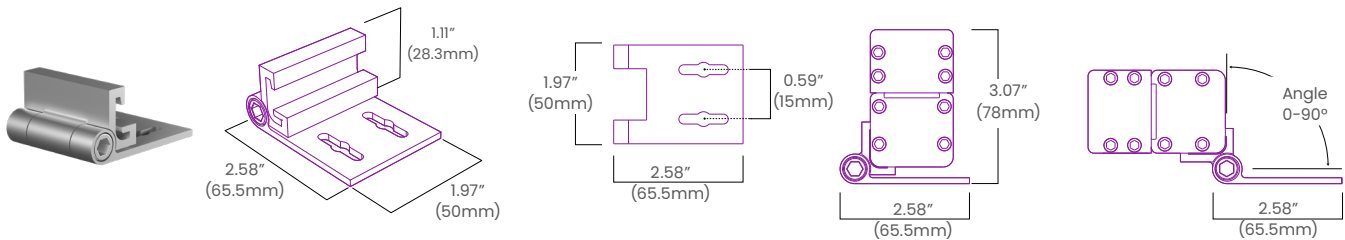
Surface Adjustable 50° Mounting Bracket

AD50-LN8-L-MA



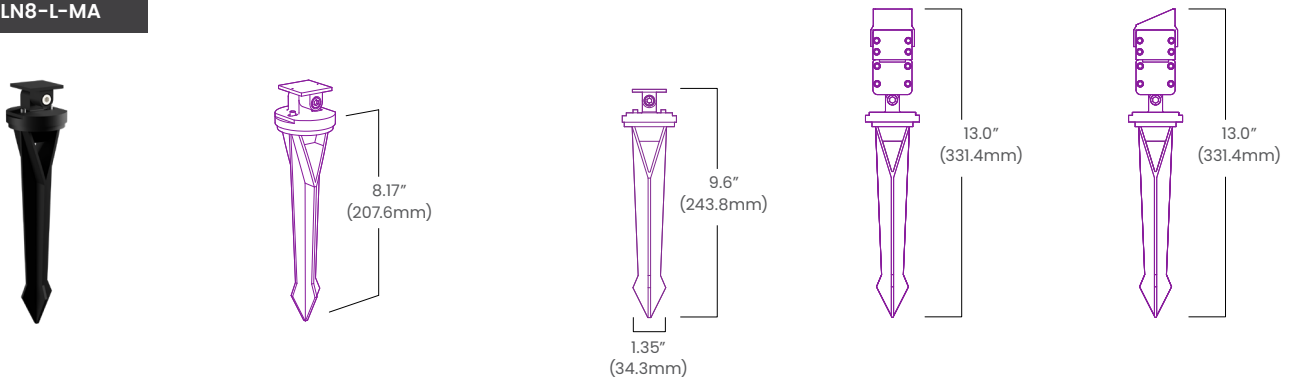
Flat 90° Mounting Bracket

FT90-LN8-L-MA



Adjustable 180° Mounting Bracket Landscape Spike

SK-LN8-L-MA



Anti-Glare Accessories

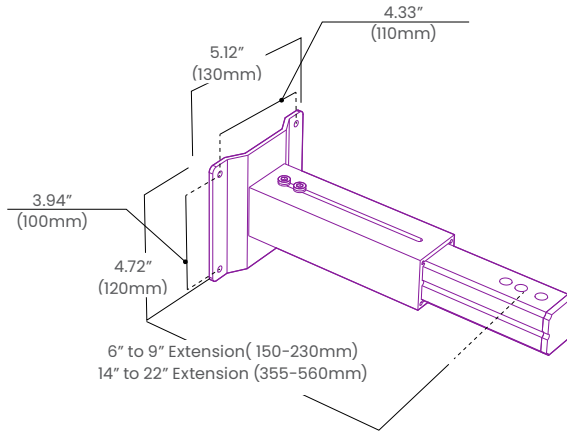
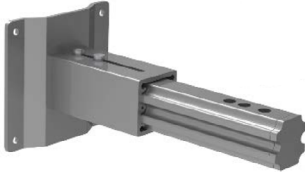
Adjustable Wall Mount Arm (2 sizes available)

ASM-LN8-L-MA

6" to 9" Extension

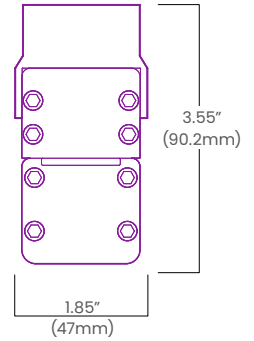
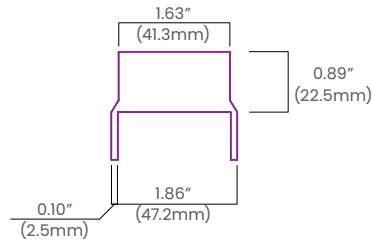
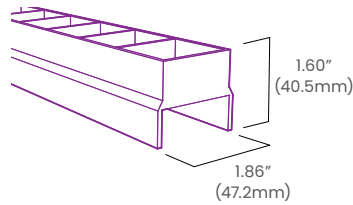
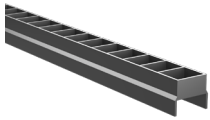
ALG-LN8-L-MA

14" to 22" Extension



Symmetric Anti-Glare Shield

SYSD-LN8-L-AG



Asymmetric Anti-Glare Shield

AYSD-LN8-L-AG

