

LN6260

BL Arealinear

Linear LED Wall Washer
12W/FT, 100-277VAC Line Voltage



Powerful, efficient, and engineered to deliver exceptional wall washing, grazing and architectural highlighting of exterior facades, signage, bridges and monuments. Vertically illuminate buildings with light projection with an impressive output of up to 4800 lumens, in five beam angle options. Durably constructed with aluminum housing, shatter-resistant tempered glass lens cover, weatherproof line voltage power cables, integral 100-277VAC power supply, and two, 180° on board adjustable mounting brackets that allow for precise light distribution. Perfect for dynamic illumination of spatial envelopes in urban settings.

CLIENT	
PROJECT NAME	
LOCATION	
DATE	

Up to 4800lm/unit 100-277VAC 1FT, 2FT, 3FT and 4FT Length Options

Product Detail



Lighting	Power	12W (1FT), 24W (2FT), 36W (3FT), 48W (4FT)
	Average Life	50,000 Hours
Electrical	Controls	On/Off, 0-10V, DALI
	Input Voltage	100-277VAC
	Connections	16AWG, Copper conductors
	Power Cord Length	1ft (0.3m), extendable
	DMX Cords Length	1ft (0.3m), extendable
Mechanical	Housing Construction	Gray Aluminum Body, Tempered Glass Lens Cover
	Weight	1.8kg/3.96lbs (1FT), 3.6kg/7.94lbs (2FT), 4.5kg/9.92lbs (3FT), 5.8kg/12.79lbs (4FT),
	Mounting	Integrated 180° Adjustable Mounting Bracket
	LN6260 PCH	Power Cable 3-Pin (5FT, 15FT, 30FT)
Accessories	LN6260 PCE	Power Cable Extension 3-Pin (5FT, 15FT, 30FT)
	LN6260 M3P	End Cap (3-Pin Cable)
	LN6260 DIM 6PH	Power+Control Cable 6-Pin (5FT, 15FT, 30FT)
	LN6260 DIM 6PE	Power+Control Cable Extension 6-Pin (5FT, 15FT, 30FT)
	LN6260 M6P	End Cap (6-Pin Cable)
Environmental	Ingress Protection	IP66
	Certifications	ETL
	Operating Temperature	14°F to 122°F (-10°C to 50°C)

Performance

CCT/Color		2700K	3000K	4000K	5000K	6000K
Power	W/FT			12		
Lumens	lm/FT			1200		
Efficacy	lm/FT			95		
CRI	CRI			80		

Ordering

Product Code	Series	Lenght	CCT	Beam Angle	Finish	Input Voltage	IP Rating
LN6260	L					UNI	IP66
		1FT	2700K	8°	GR = Gray		
		2FT	3000K	15°	BK = Black		
		3FT	4000K	30°	WH = White		
		4FT	5000K	15°x40°			
			6000K	15°x60°			

BL LIGHTING ILLUMINATE EVERYTHING

111 - 8838 Heather St. Vancouver, BC, Canada. V6P 3S8
P: 1-604-874-4405 E: info@blighting.com
Copyright © BL INNOVATIVE LIGHTING. All Rights Reserved.

Solid State Lighting is sensitive to power fluctuations. Surge protection is highly recommended for all LED lighting products and should be on a dedicated circuit to protect against premature failure. Lack of surge protection may void your warranty.

Designed & Assembled in North America.

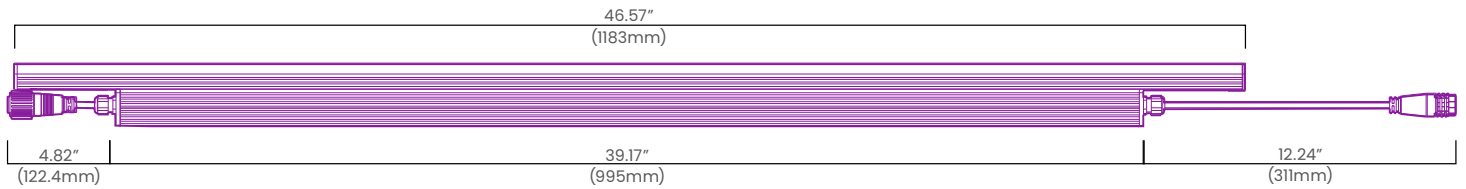
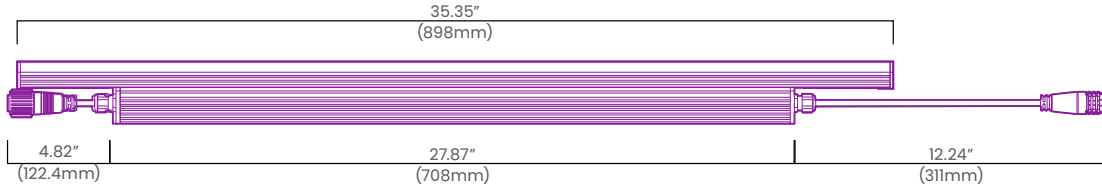
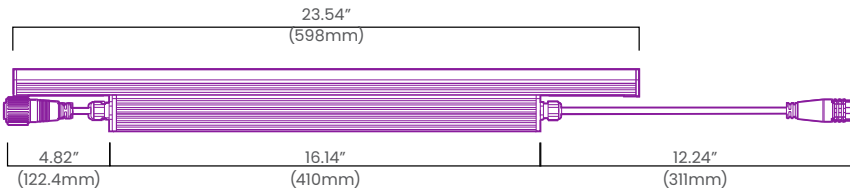
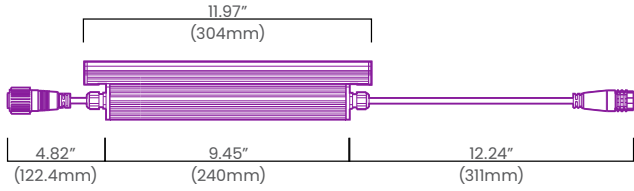
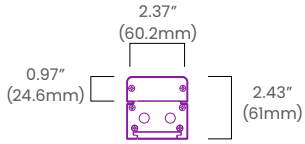
Specifications subject to change without notice. Please refer to our website at blighting.com for current technical data.

For more information, please download the BL LIGHTING catalog



blighting.com

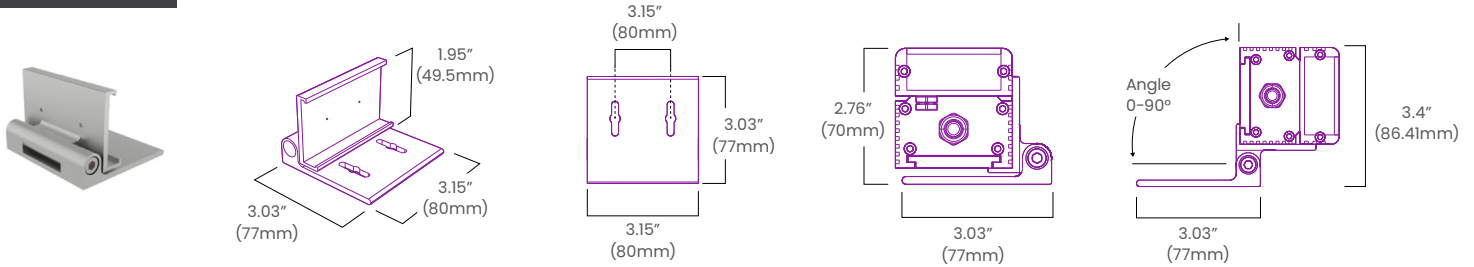
Dimensions



Mounting Accessories

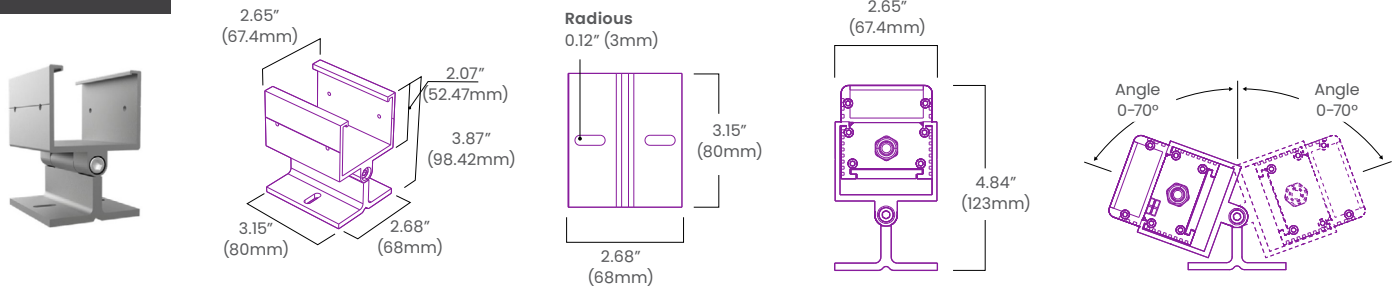
Flat 90° Mounting Bracket

FT90-LN6260-L-MA



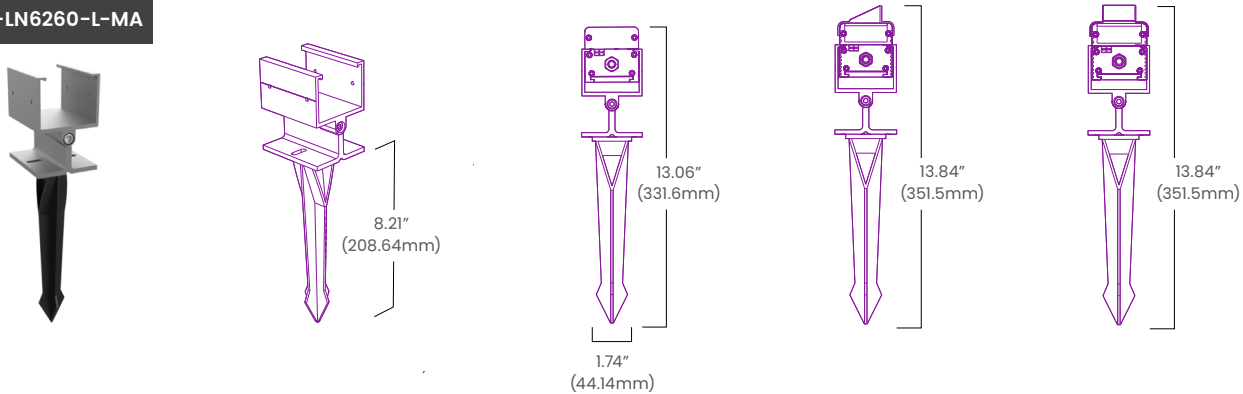
Surface Adjustable 180° Mounting Bracket

AD180-LN6260-L-MA



Adjustable 180° Mounting Bracket Landscape Spike

SK180-LN6260-L-MA



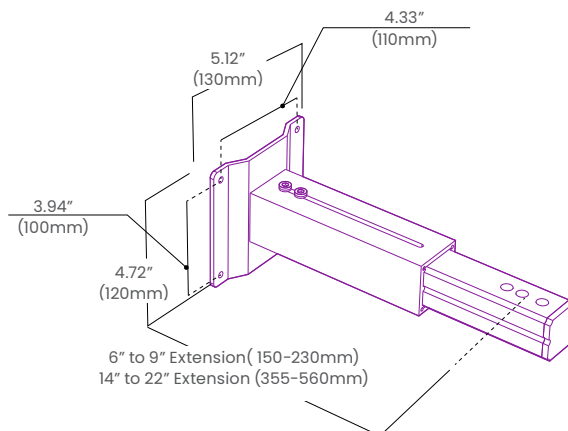
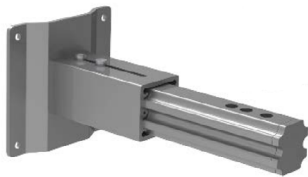
Adjustable Wall Mount Arm (2 sizes available)

ASM-LN6260-L-MA

6" to 9" Extension

ALG-LN6260-L-MA

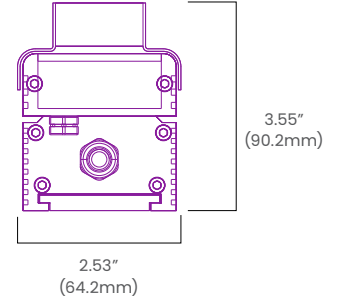
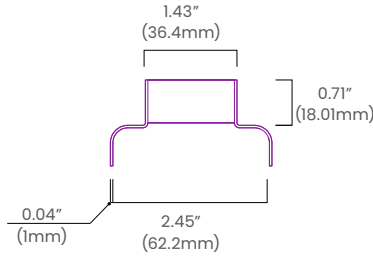
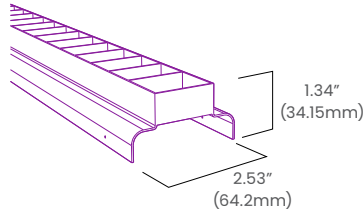
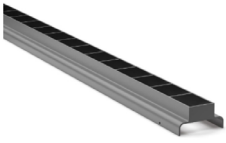
14" to 22" Extension



Anti-Glare Accessories

Symmetric Anti-Glare Shield

SYSD-LN6260-L-AG



Asymmetric Anti-Glare Shield

AYSD-LN6260-L-AG

