



Please note that these instructions are guidelines only and in no way supersede any construction or installation standards. Local building and electrical codes should be consulted before installation.

ATTENTION

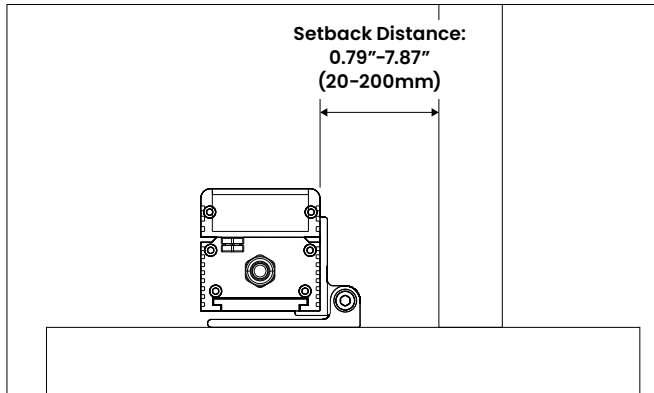
- There is potential danger of electrical shock when operating electrical components.
- Make sure power is turned off before installation.
- Allow for heat dissipation and adequate ventilation.

RECOMMENDED INSTALLATION TOOLS

- **M6 Hex Key**
- **Color-plated Zinc Carbon Steel 1215 or Stainless Steel 316/316L**
(10mm - 20mm)

- NOTE:**
1. The items mentioned above are suggested for installation purposes and are not included by BL Lighting.
 2. Make sure the screws are constructed from robust materials like **Color-plated Zinc Carbon Steel 1215** or **Stainless Steel 316/316L** to prevent rust and guarantee durability.
 3. The M6 Hex Key must correspond to the size of the hex head bolt for smooth adjustment of the fixture's rotation.
 4. Select an appropriate fastener according to the mounting surface to ensure a stable and secure setup.

RECOMENDED SETBACK DISTANCE



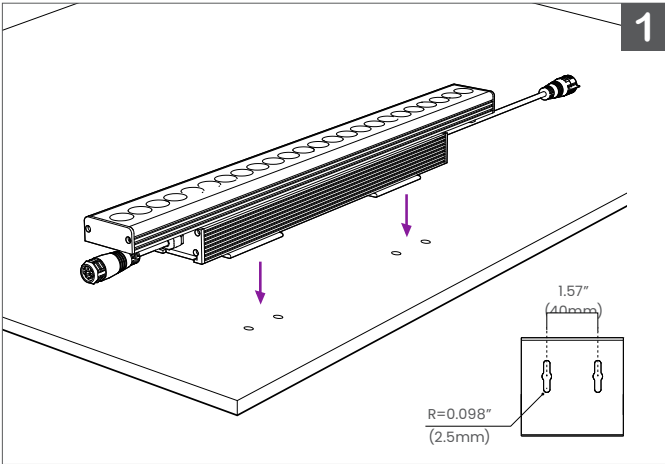
Proper setback distances guarantee optimal lighting performance and achieve effective wallwashing outcomes.

Setback Distance	Purpose	Recommended Use
0.79" - 1.97" (20mm-50mm)	For narrow beams, smooth surfaces, glazing	Focused, intense lighting.
1.97"-3.94" (50mm-100mm)	Balanced lighting for textured walls.	General wallwashing
3.94"-7.87" (100mm-200mm)	Wide, even light for large areas.	Enhances textured surfaces

NOTE: Our recommended setback distances are guidelines only. Actual distances may vary based on wall texture, height, and desired lighting effects. Adjust as needed for the best results.



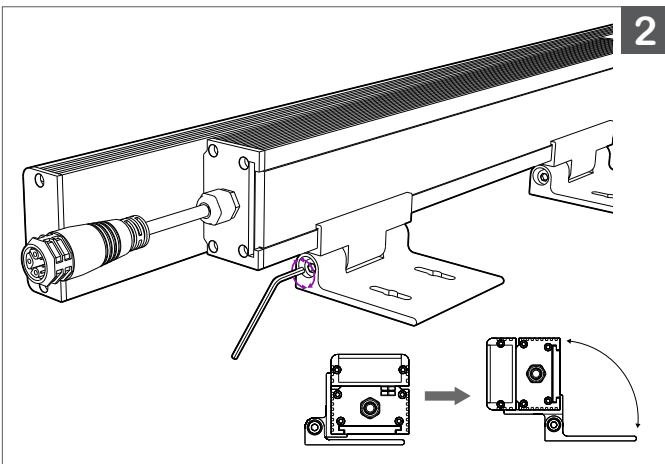
Flat 90° Mounting Bracket



1.

Place the **LN6260** to the desired position.

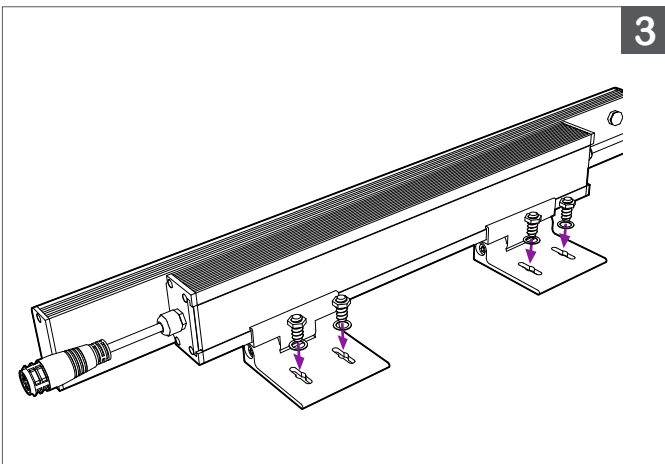
NOTE: Please refer to the recommended setback distance from the wall on the **Page 1** to achieve the desired effect.



2.

A. Loosen screws with Hex Key to access the mounting brackets.

B. After unfolding the mounting bracket, gently tighten the hex-head bolt to secure fixture in place and proceed to the next step.

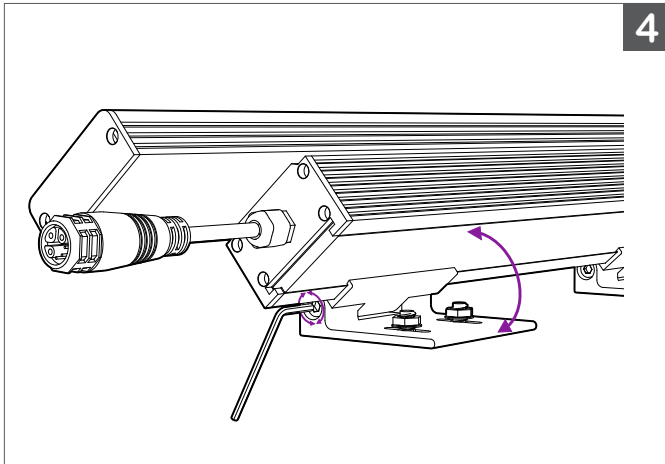


3.

Fasten mounting bracket with bolts through mounting holes.



4

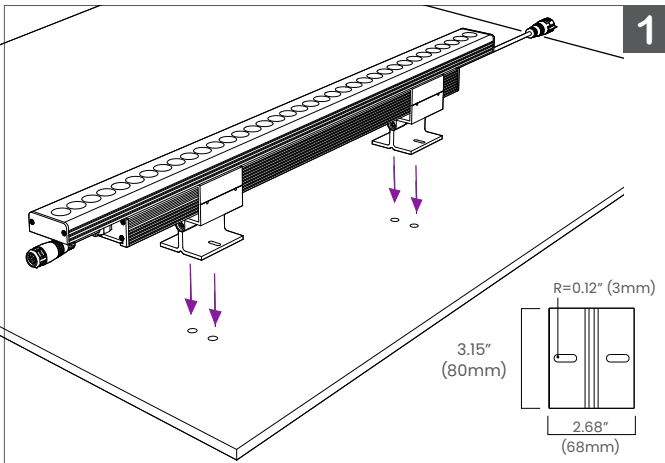


4.

Tilt **LN6260** at desired angle.
Re-Tighten with Hex Key

Surface Adjustable 180° Mounting Bracket

1

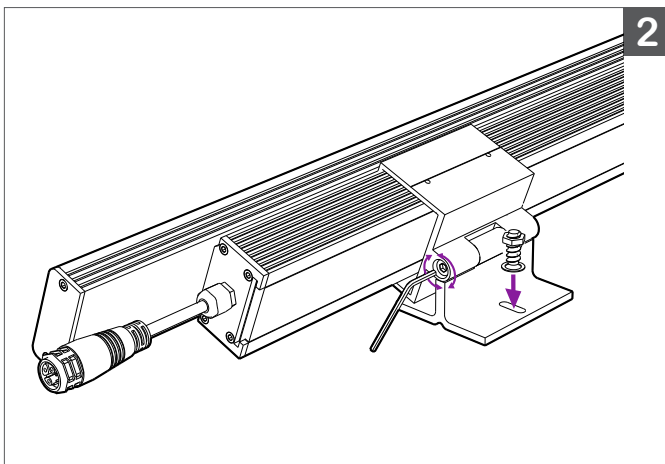


1.

Place the **LN6260** to the desired position.

NOTE: Please refer to the recommended setback distance from the wall on the **Page 1** to achieve the desired effect.

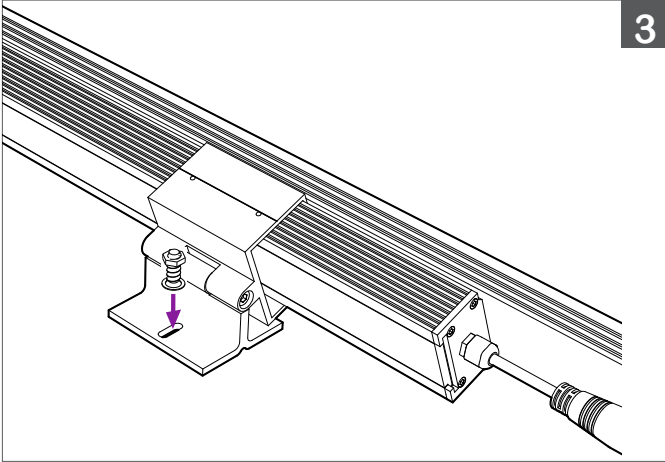
2



2.

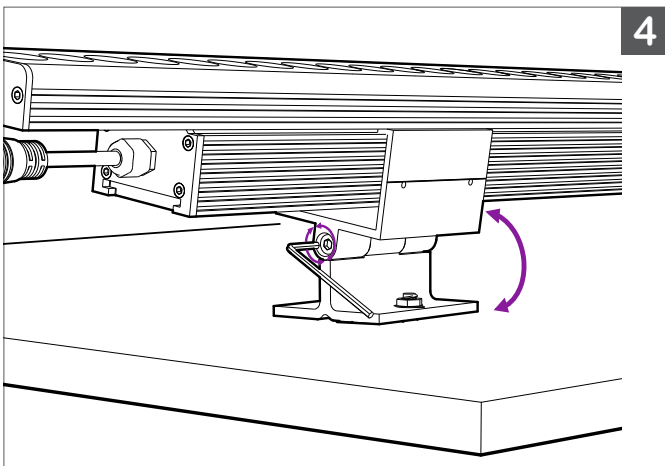
A. Loosen the mounting bracket with Hex Key, and tilt the fixture to one side to reveal the mounting brackets.
B. Fasten mounting bracket with bolts through mounting holes.





3.

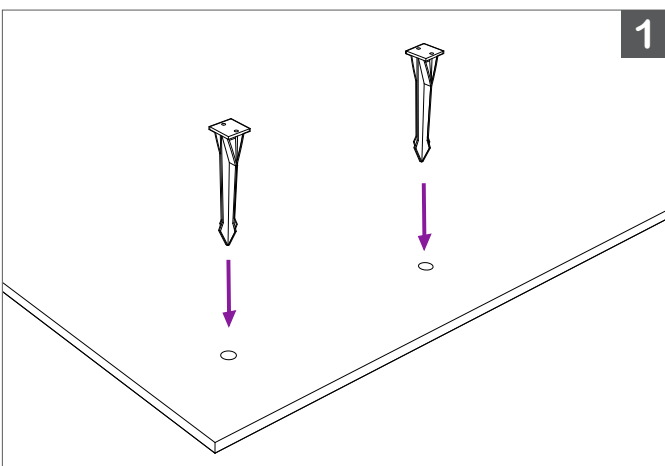
Repeat **Step 2** on the other side.



4.

Tilt **LN6260** at desired angle.
Re-Tighten with Hex Key

Adjustable 180° Mounting Bracket Landscape Spike



1.

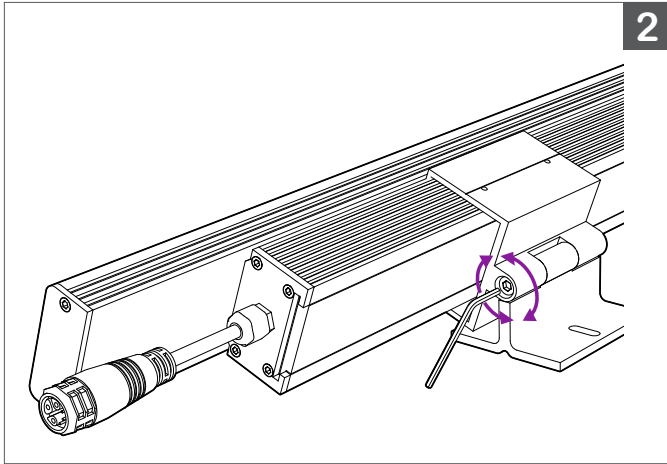
Press the in-ground mounting spike firmly into the grass area until it is fully and securely anchored in the ground.

IMPORTANT! Make sure the in-ground spikes are spaced correctly to align with the wallwasher's mounting bracket locations.

NOTE: Please refer to the recommended setback distance from the wall on the **Page 1** to achieve the desired effect.



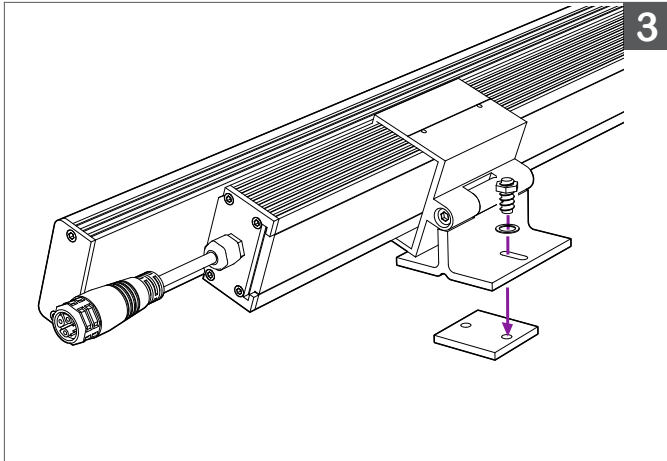
2



2.

Loosen the mounting bracket with Hex Key, and tilt the fixture to one side to reveal the mounting brackets.

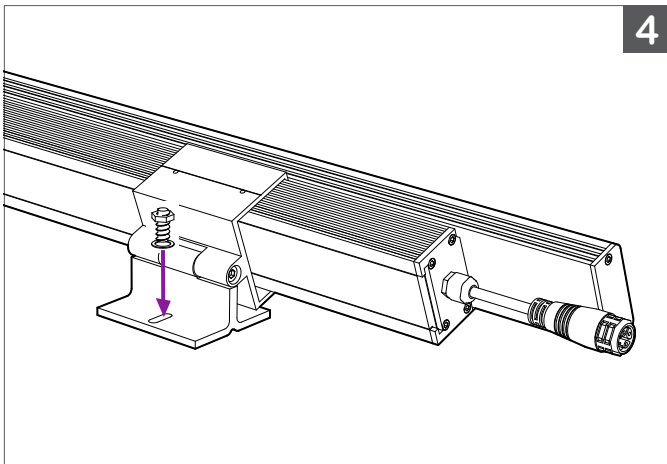
3



3.

Use the through-mounting holes on the bracket to secure the fixture to the spike with suitable bolts.

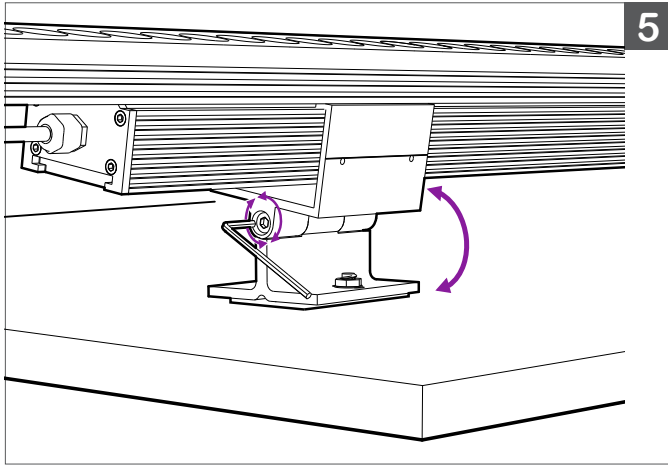
4



4.

Repeat **Step 3**, Tilt and secure the Fixture in another side.

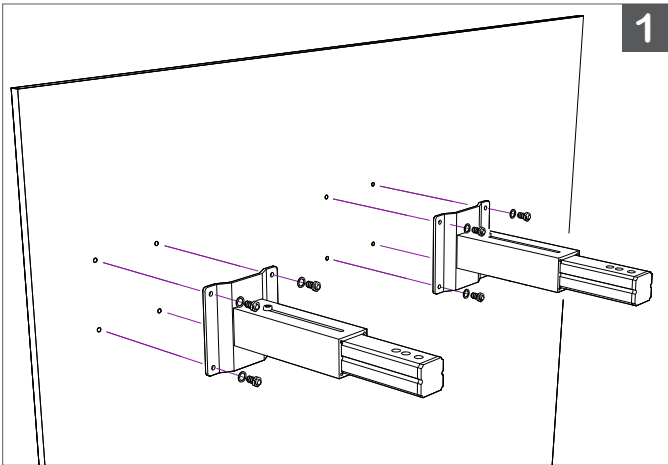




5.

Tilt **LN6260** at desired angle.
Re-Tighten with Hex Key

Adjustable Wall Mount Arm

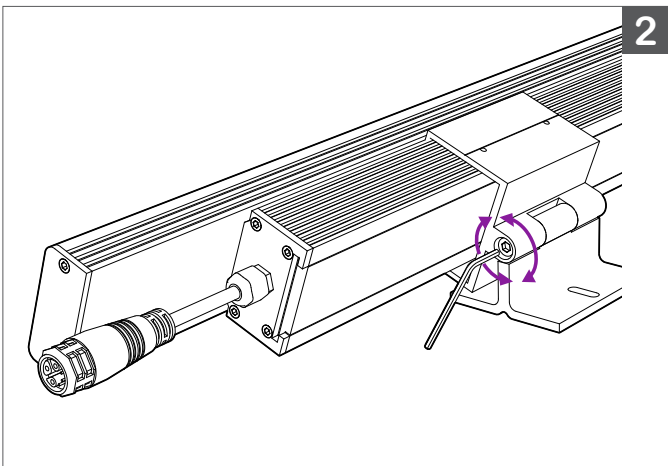


1.

Use the through-mounting holes on the brackets to secure the mounting arm to a sturdy surface using appropriate fasteners.

IMPORTANT! Make sure the distance between the two mounting arms matches the mounting slots on the fixtures.

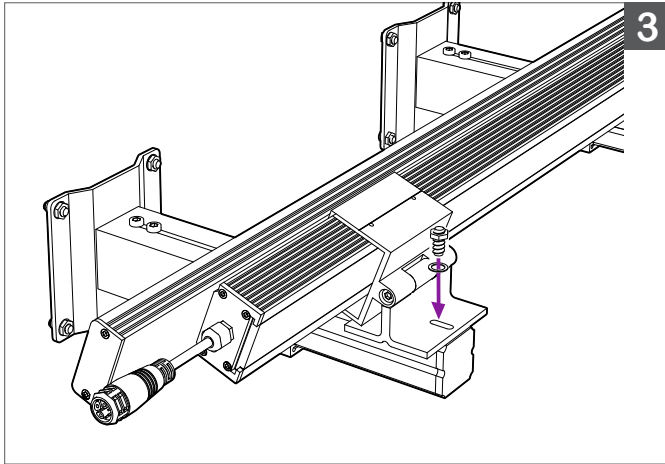
NOTE: Please refer to the recommended setback distance from the wall on the **Page 1** to achieve the desired effect.



2.

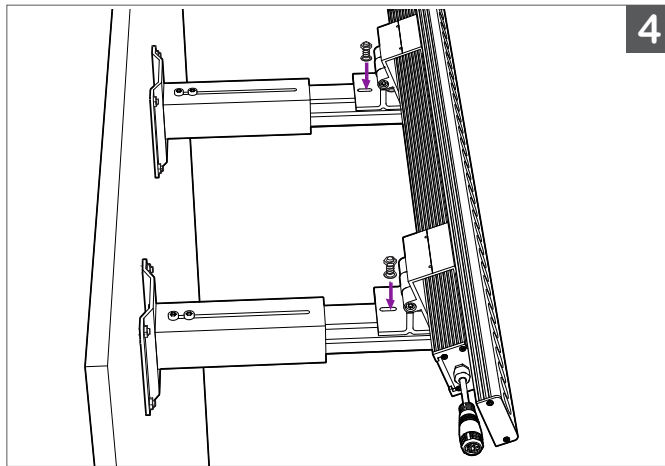
Loosen the mounting bracket with Hex Key to access the mounting brackets.





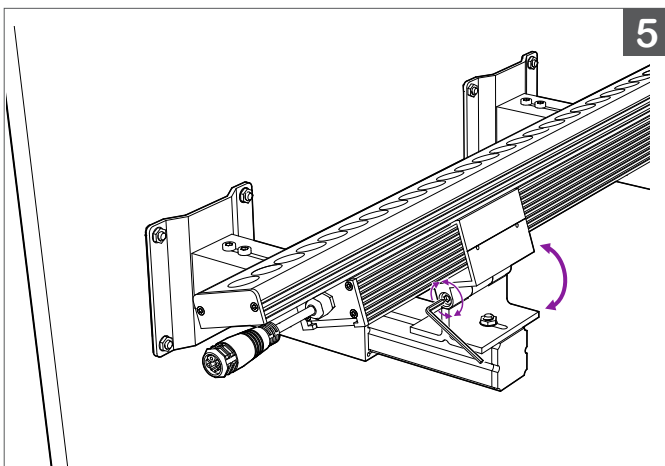
3.

Attach the fixture to the mounting arm by using the through-mounting holes on the brackets with suitable fasteners.



4.

Repeat **Step 3**, Tilt and secure the Fixture in another side.



5.

Tilt **LN6260** at desired angle.
Re-Tighten with Hex Key

