

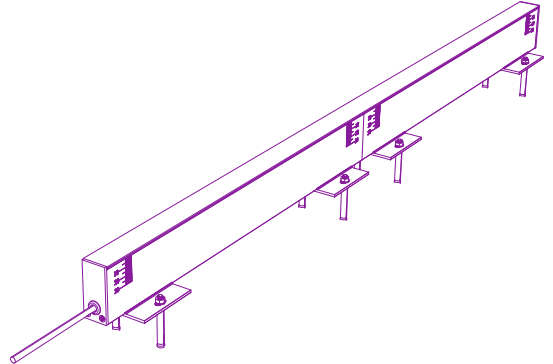


Please note that these instructions are guidelines only and in no way supersede any construction or installation standards. Local building and electrical codes should be consulted before installation.

ATTENTION

- There is potential danger of electrical shock when operating electrical components.
- Make sure power is turned off before installation.
- Allow for heat dissipation and adequate ventilation.

COMPONENTS



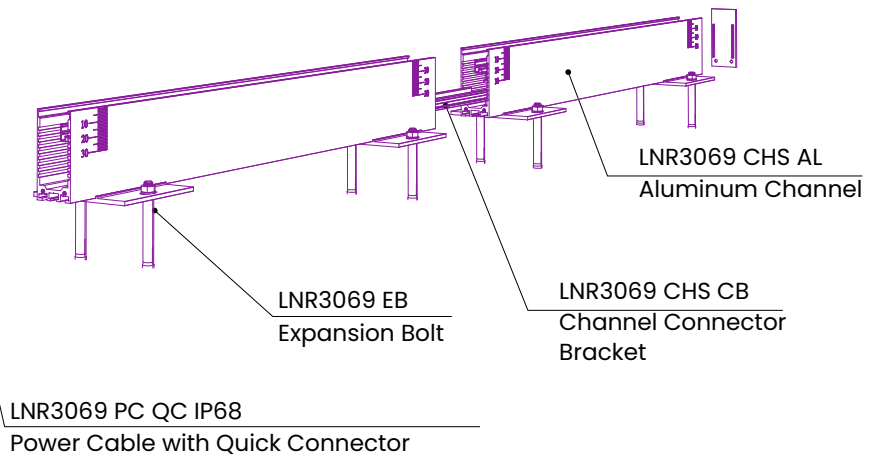
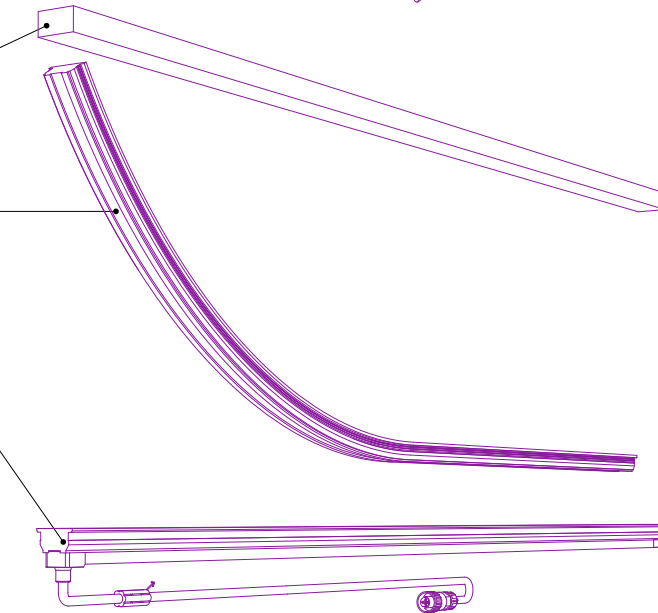
LNR3069 KC
Knockout Cover

LNR3069 CHS SD
Silicone Lens

LNR3069
LED

LNR3069 CHS EC
End Cap

LNR3069 RB
Bushing



LNR3069 CHS AL
Aluminum Channel

LNR3069 EB
Expansion Bolt

LNR3069 CHS CB
Channel Connector
Bracket

LNR3069 PC QC IP68
Power Cable with Quick Connector



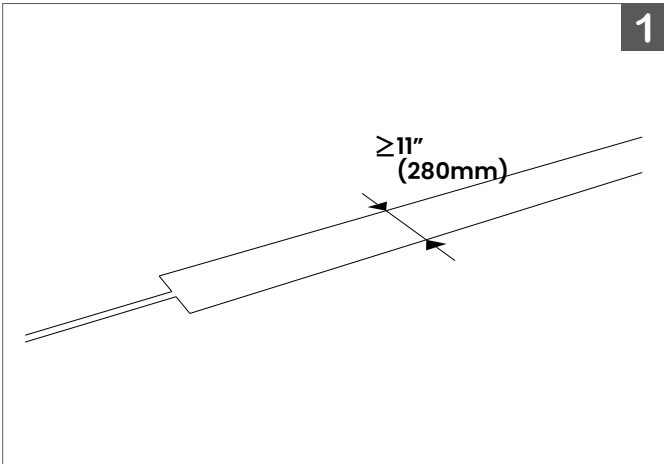
Read all instructions prior to beginning installation

Take appropriate safety precautions, and wear safety glasses and gloves when installing, maintaining or servicing luminaires.

NOTE:

- Installation site must provide adequate drainage.
- Upon installation, the luminaire surface must be flush with surrounding finished ground surface.
- Luminaires must be installed on top of a concrete footing.
- Use of drain pipes and/or a purpose built drainage system may be required to prevent luminaires from long-term submersion.
- Luminaires in wet locations must be installed in a permeable layer of adequate depth to allow water to drain freely away from the luminaire.
- Acceptable materials for a permeable base layer include drainage gravel, pea gravel, and sand, to be installed along the entire luminaire lengths, at adequate depth to provide drainage.



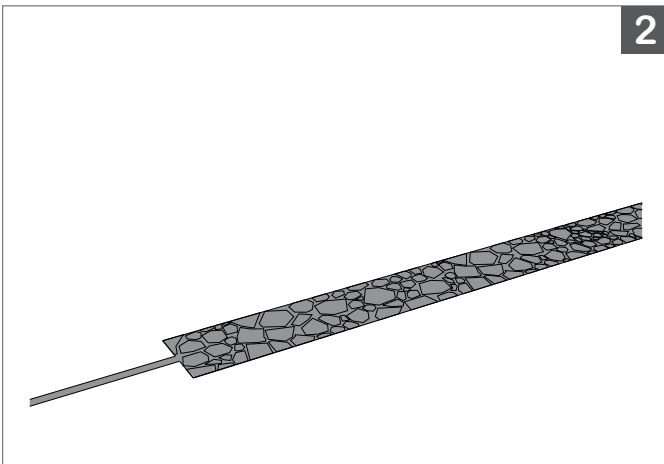


Site Preparation

Prepare the ground for installation. Mark and layout **LNR3069** luminaire, cable and conduit (by others) positions

1.

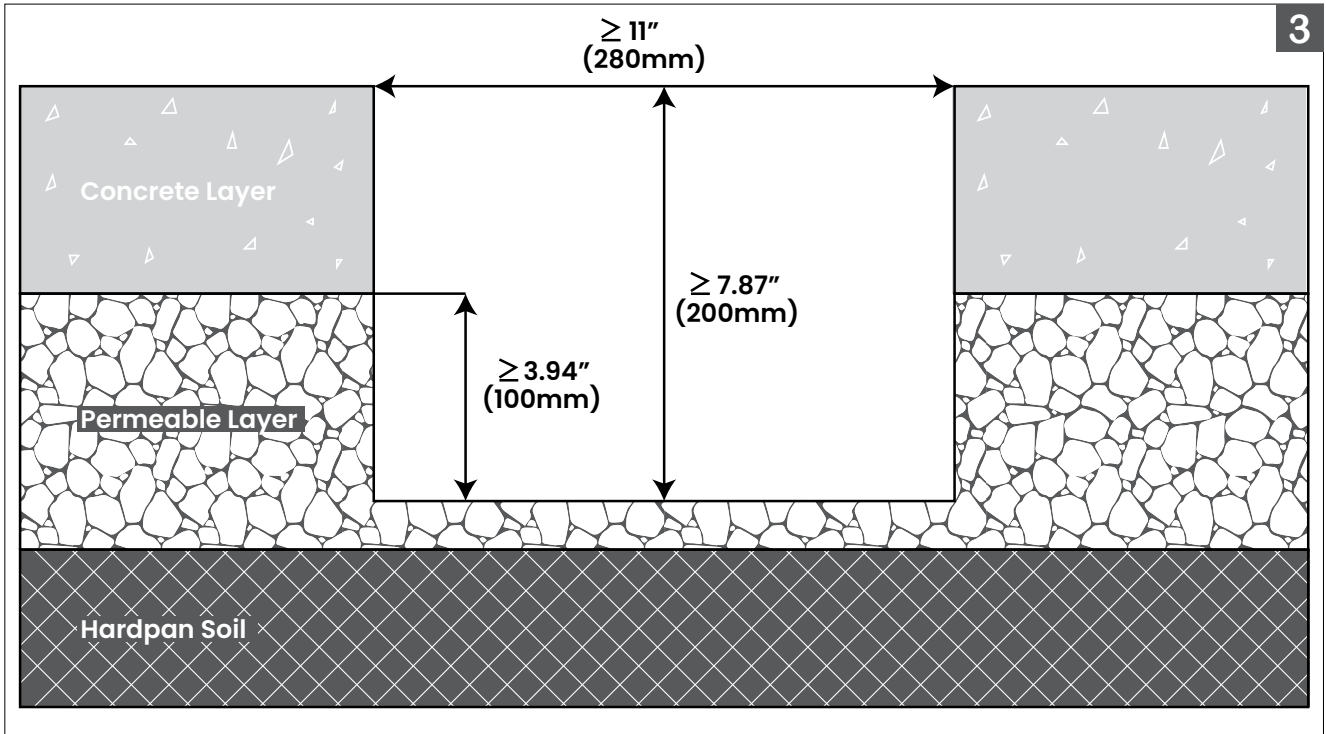
Position conduit for the Power Cable.



2.

Cut out where marked.



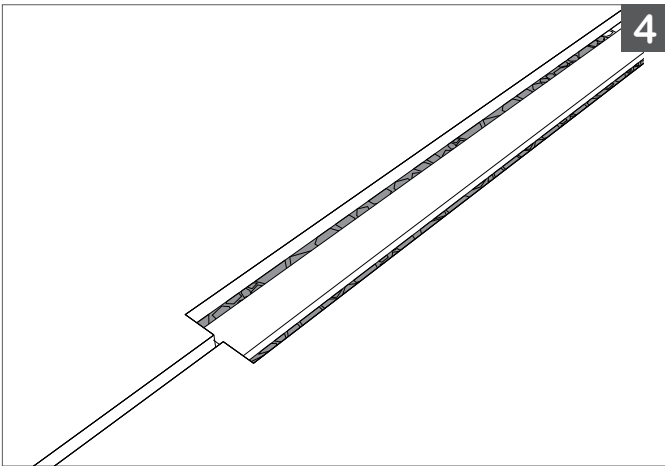


3.

Depth of cutout in ground surface will depend upon the depth of permeable layer, concrete top layer, and concrete footing size required.

The permeable layer must be of adequate depth to provide drainage away from the luminaire.

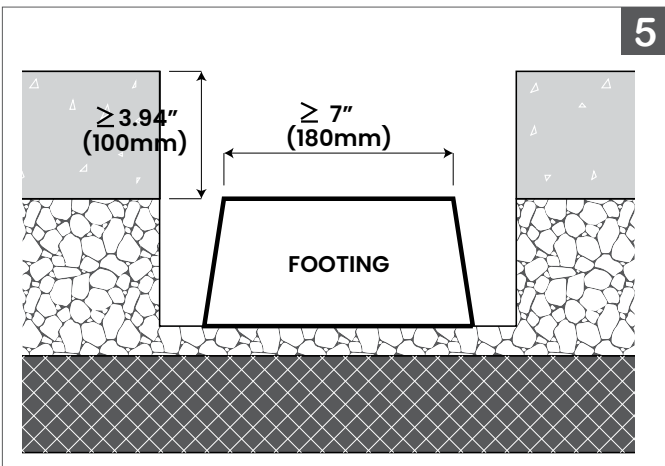




4.

Build a concrete footing to support **LNR3069** with a solid mounting base.

Depending on site conditions, drain pipes may be required to be installed within the concrete footing.



5.

The concrete footing must be level and of adequate size to support the luminaire along the entire length, and to fix the luminaire directly to the footing with expansion bolts.

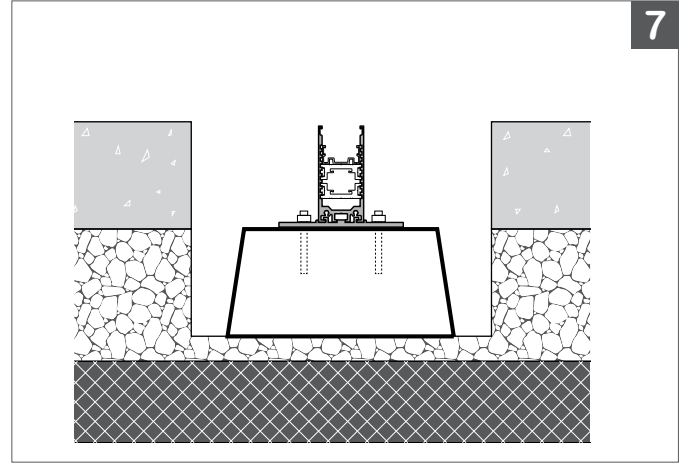
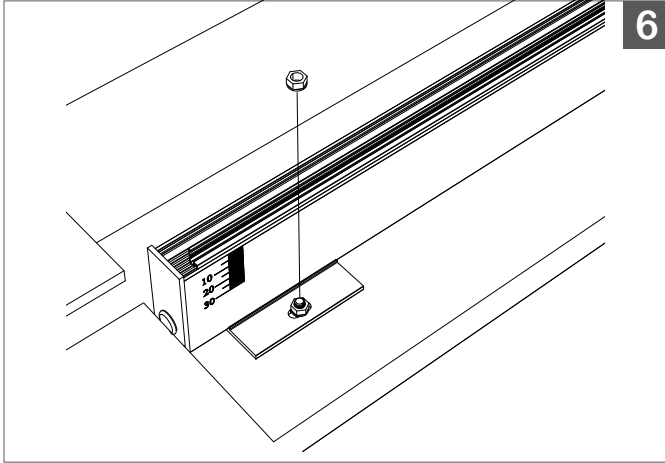
The concrete footing must provide a solid mounting surface and enable the luminaire, once installed, to remain level with the surrounding surface.



Channel Installation

6 & 7.

Starting from the Power Cable feed end, fasten the **LNR3069** Channel to the concrete footing, using expansion bolts provided.



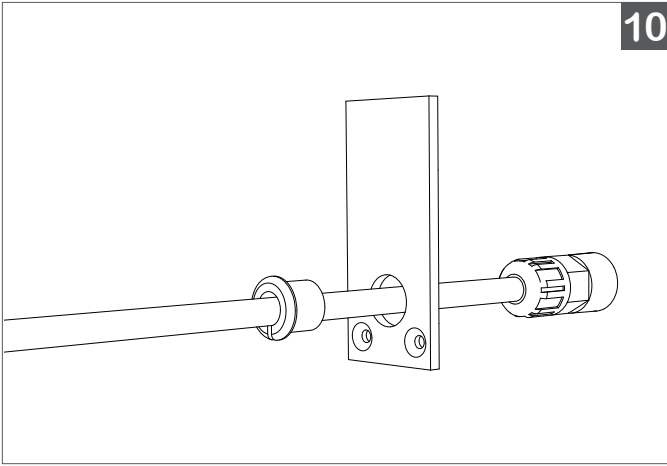
8.

Affix the Aluminum End Cap to the Channel at the Power Cable feed end.

9.

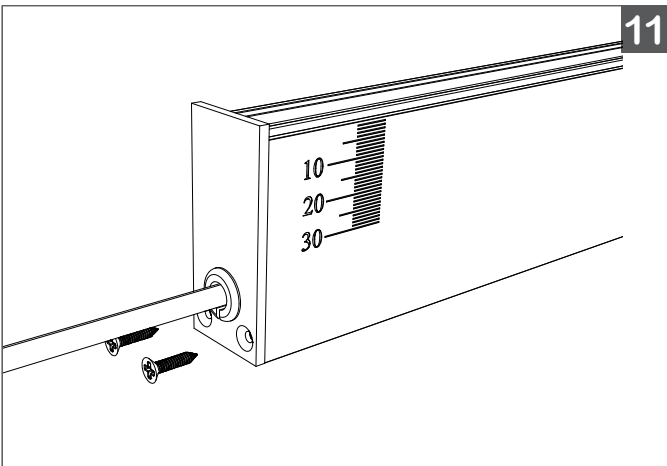
Verify that the Quick Connect protective cap is in place to protect the end from moisture, dirt and debris, and draw the Power Cable through the End Cap hole

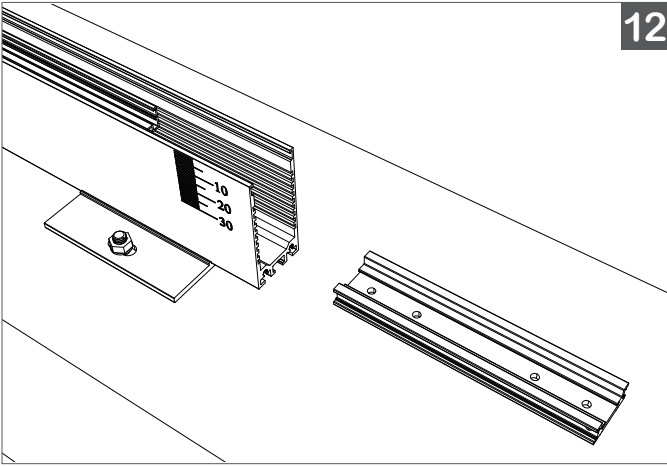




10 & 11.

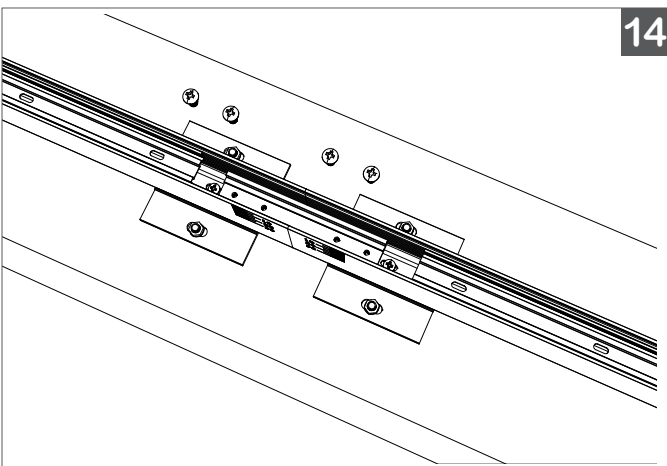
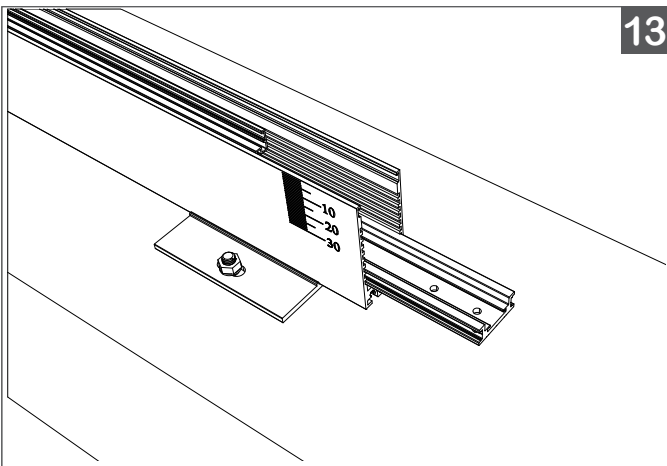
Slip the Bushing over the wires, slide to the End Cap and seat in place.





12 & 13.

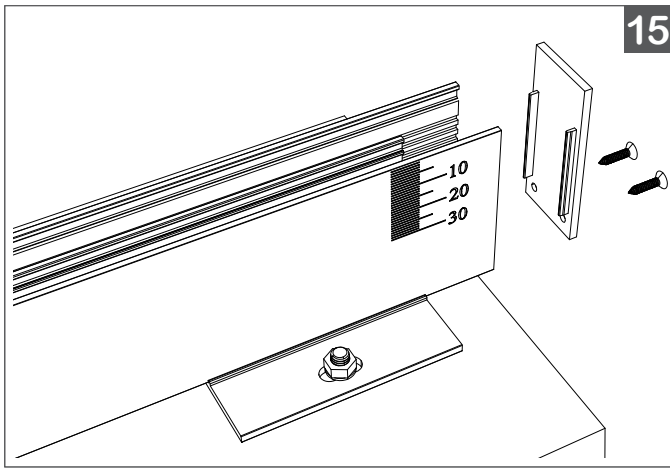
Secure Channel in place, and maintain secure connection and alignment with subsequent channel lengths using the Channel Connector Brackets



14.

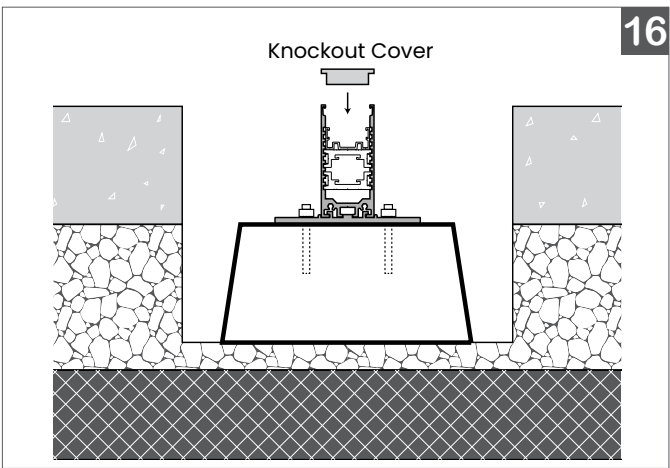
Ensure fasteners are secure, and not over-tightened.





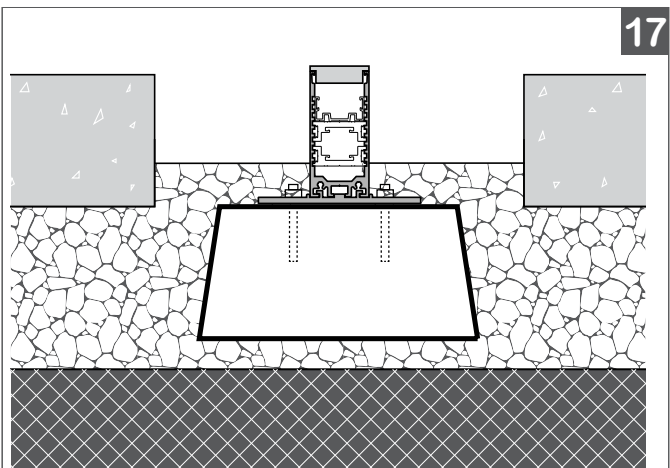
15.

Secure End Cap to the last Channel in line.



16.

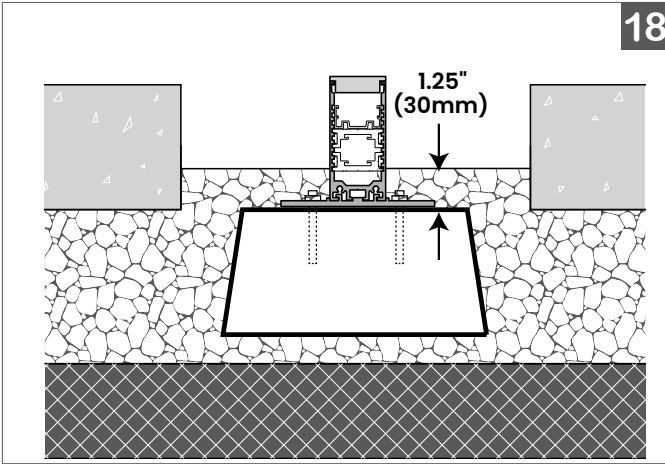
Cap the top of the installed Channel with the Knockout Cover to protect the inside of the Channel housing from moisture, dirt, debris, fill material and concrete.



17.

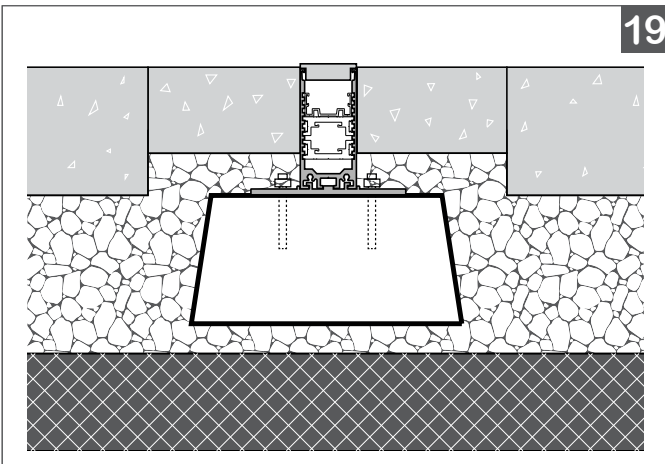
Fill the hole surrounding the Channel and cable conduits with the permeable fill (drainage gravel, pea gravel, or sand).





18.

Ensure the bottom sides of the Channel are always situated in a permeable layer, of 1.25" (30mm) from top of concrete footing to the top of the permeable fill layer to ensure good drainage.



19.

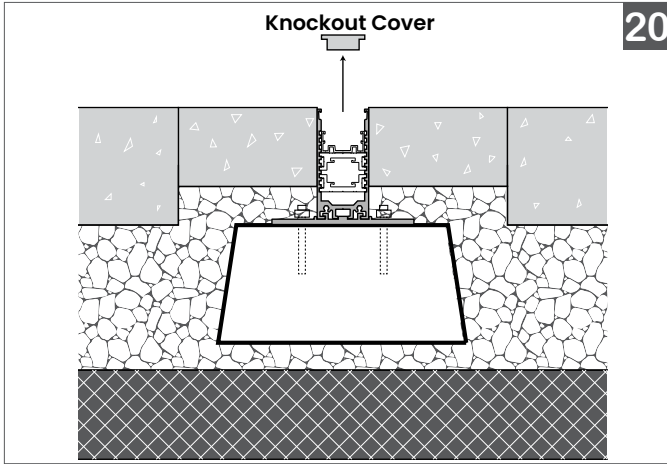
Ensure the permeable fill is well compacted, and Knockout Cover is in place over Channel prior to pouring concrete.

Luminaire must be installed so the top will be flush with desired finish surface level.

Pour concrete to desired finish depth, and finish ground surface as desired with concrete, tile, brick, marble, etc



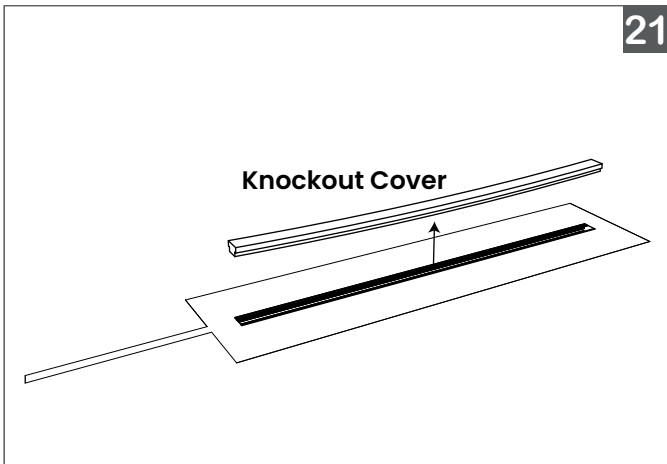
LED Installation

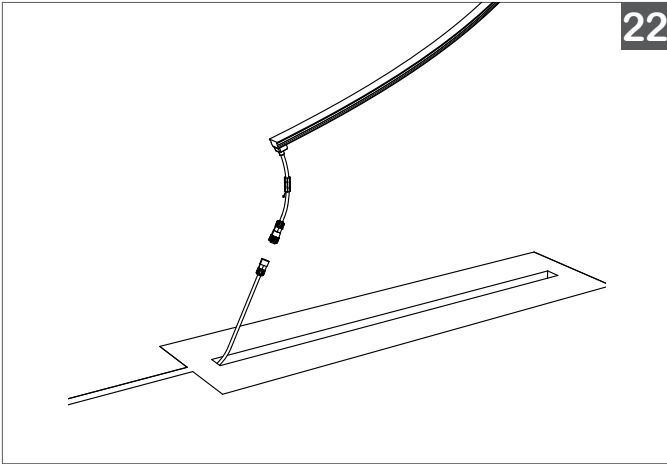


20 & 21.

Carefully remove the Knockout Cover.

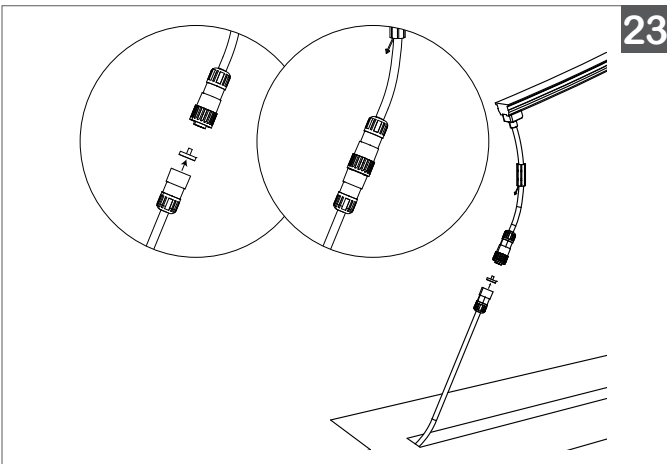
Ensure all parts of luminaire are clean and dry, free of moisture, dirt, debris and sand.





22.

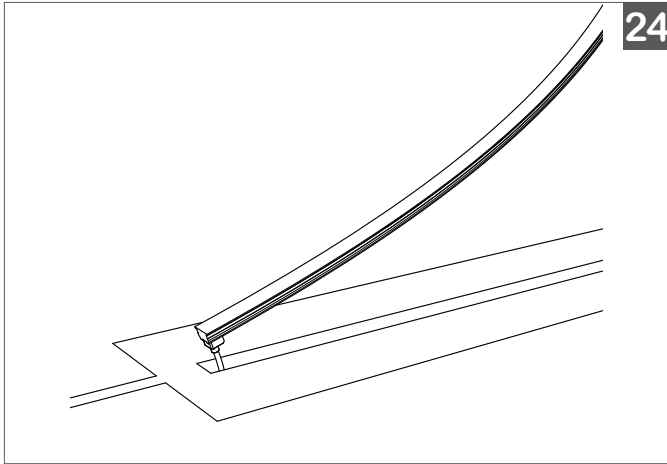
Carefully lay the LED into the Channel, starting from the power input end.



23.

Verify wiring to the LED Driver, remove protective end cap, and connect to power using Quick Connects and test.

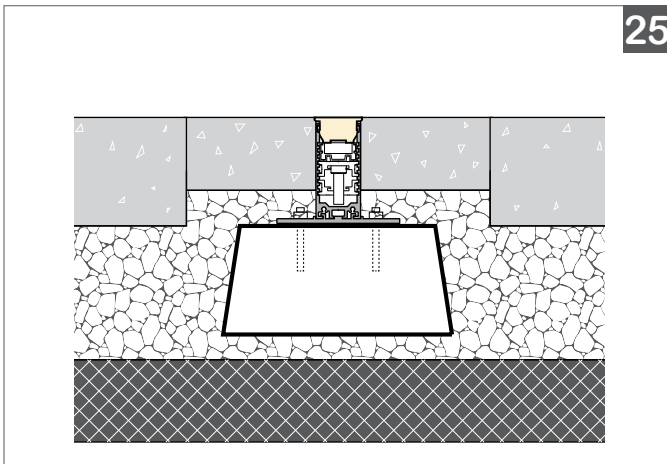




24 & 25.

Once LEDs have been powered up and confirmed to be operating well, tuck any excess cable into the channel cavity, and set the LED in place. Begin installation of the Silicone Diffuser Lens by starting from the Power Cable end, carefully pressing down by hand along the entire length, to seal the LED into place within the Channel.

Never use tools to forcibly install the LED or the Silicone Lens.



Quick Notes: LNR3069 S1 – 335lbf Load Rated (Walk-Over)

- Suitable for poured concrete, brick, pavers, tile and masonry installations.
- Must be installed on a solid footing.
- Never use tools to forcibly install the LED.
- Ensure adequate drainage to prevent luminaires from long term submersion in water.
- Failure to provide adequate drainage during installation will void warranty.

