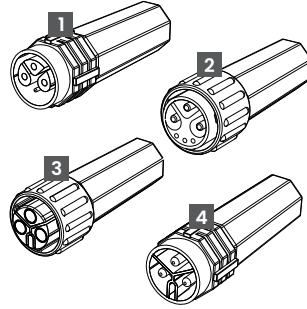
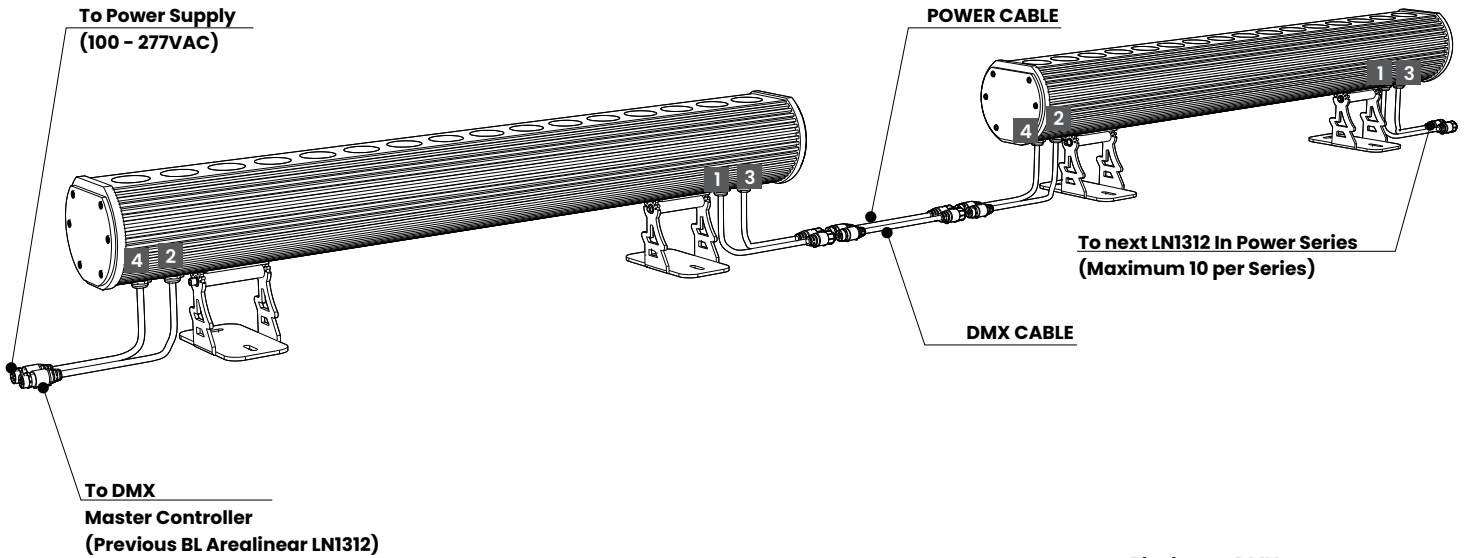


CONNECTIONS

Power and DMX XLR 3Pins



- 1 DMX 4 Pin Female Connector
- 2 DMX 4 Pin Male Connector
- 3 Power 3 Pin Female Connector
- 4 Power 3 Pin Male Connector



DMX CABLE

4-pin data connector



**The addressing wire shouldn't be connected during operation. It's only used with the DMX addressing tool.*

POWER CABLE

3-pin power connector

