

# LN1312

BL Arealinear

Linear LED Wall Washer  
150W, 100-277VAC Line Voltage

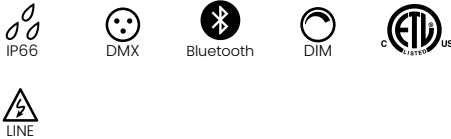


Powerful, efficient, and engineered to deliver exceptional wall washing, grazing and architectural highlighting of exterior facades, signage, bridges and monuments. Vertically illuminate entire buildings with light projection reaching over 300ft in White, RGBW or Pixel Chasing configurations, with an impressive output of up to 9000 lumens, in five beam angle options. Durably constructed with anodized aluminum housing, shatter-resistant glass lens, weatherproof line voltage power cables, integral 100-277VAC power supply, dmx decoder, and two, 180° on board adjustable mounting brackets that allow for precise light distribution. Perfect for dynamic illumination of spatial envelopes in urban settings.

CLIENT	
PROJECT NAME	
LOCATION	
DATE	

Up to 9000lm/unit    100-277VAC    300ft Light Projection

## Product Detail



<b>Lighting</b>	Power	150W
	Average Life	50,000 Hours
	Controls	DMX, IC (Pixel), Bluetooth, 0-10V
<b>Electrical</b>	Input Voltage	100-277VAC
	Connections	17AWG, Copper conductors
	Power Cord Length	1ft (0.3m), extendable
	DMX Cords Length	1ft (0.3m), extendable
<b>Mechanical</b>	Housing Construction	Aluminum Body, Tempered Glass Lens
	Weight	11kg (24lb)
	Mounting	Integrated 180° Adjustable Mounting Bracket
	LN1312 PCH	Power Cable 3pin Connector (5FT, 15FT, 30FT)
	LN1312 PCE	Power Cable Extension 3pin Connector (5FT, 15FT, 30FT)
<b>Accessories</b>	LN1312 DMX 4PH	DMX Cable 4-Pin Connector (5FT, 15FT, 30FT)
	LN1312 DMX 4PE	DMX Cable Extension 4-Pin Connector (5FT, 15FT, 30FT)
	LN1312 DMX RT M4P	DMX Terminator 4-Pin Male Connector (120-ohm Resistor)
	Ingress Protection	IP66
<b>Environmental</b>	Certifications	ETL
	Operating Temperature	-4°F to 122°F (-20°C to 50°C)

### Maximum per series:

- 32 units (Signal)
- 10 units (Power)

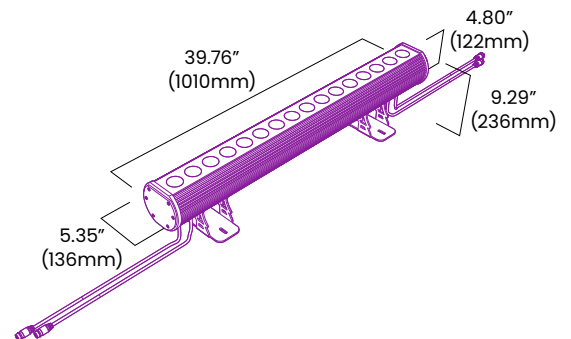
## Performance

CCT/Color		2700K	3000K	4000K	5000K	5700K	6500K	RGBW (3000K)	RGBW (4000K)	RGBW (6000K)	
Power	W/unit	150									
Lumens	lm/unit	9000						4725			
Efficacy	lm/W	60						32			

## Ordering

Product Code	Series	CCT/Color	Beam Angle	Input Voltage	IP Rating
LN1312	L			UNI	IP66
		2700K	3°		
		3000K	8°		
		4000K	25°		
		5000K	45°		
		5700K			
		6500K			
		RGBW(3000K)			
		RGBW(4000K)			
		RGBW(6000K)			

## Dimensions



Note:  
3° beam angle is not available for RGBW configurations.

### BL LIGHTING ILLUMINATE EVERYTHING

111 - 8838 Heather St. Vancouver, BC, Canada. V6P 3S8  
P: 1-804-874-4405 E: info@blighting.com  
Copyright © BL INNOVATIVE LIGHTING. All Rights Reserved.

Solid State Lighting is sensitive to power fluctuations. Surge protection is highly recommended for all LED lighting products and should be on a dedicated circuit to protect against premature failure. Lack of surge protection may void your warranty.

Designed & Assembled in North America.

Specifications subject to change without notice. Please refer to our website at blighting.com for current technical data.

For more information, please download the BL LIGHTING catalog

blighting.com

