



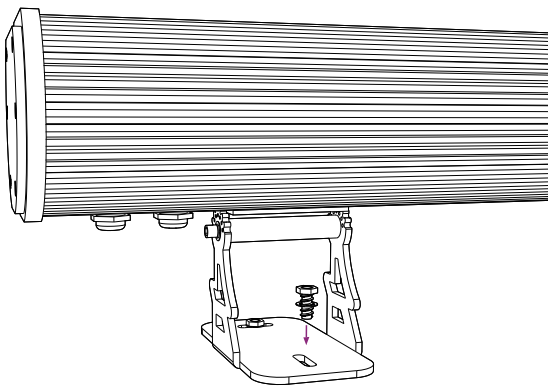
Please note that these instructions are guidelines only and in no way supersede any construction or installation standards. Local building and electrical codes should be consulted before installation.

ATTENTION

- There is potential danger of electrical shock when operating electrical components.
- Make sure power is turned off before installation.
- Allow for heat dissipation and adequate ventilation.

SURFACE MOUNT
Mountable base with 180° Adjustable Bracket

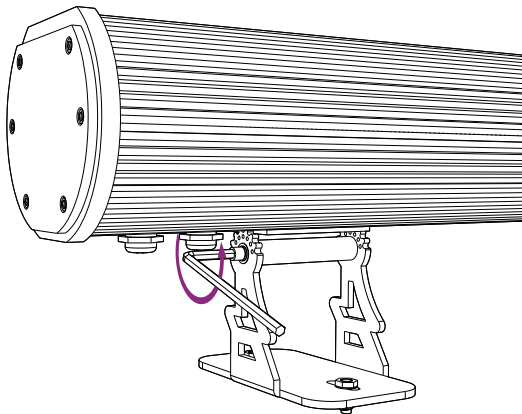
1



1.

- A. Position **LN1312** at desired location of install.
B. Fasten mounting bracket with bolts through mounting holes.

2

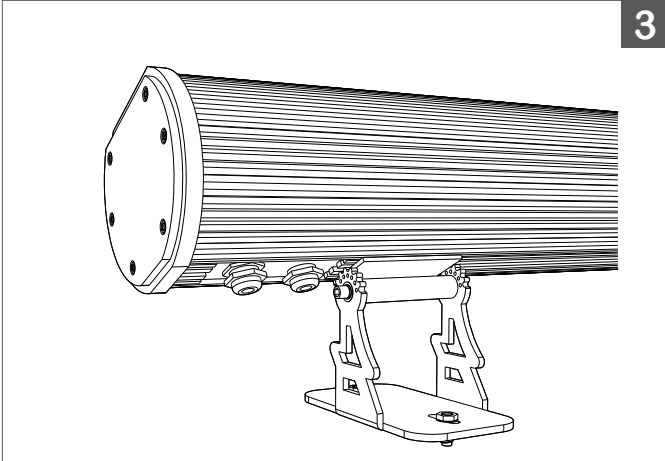


2.

Loosen screws with Hex Key



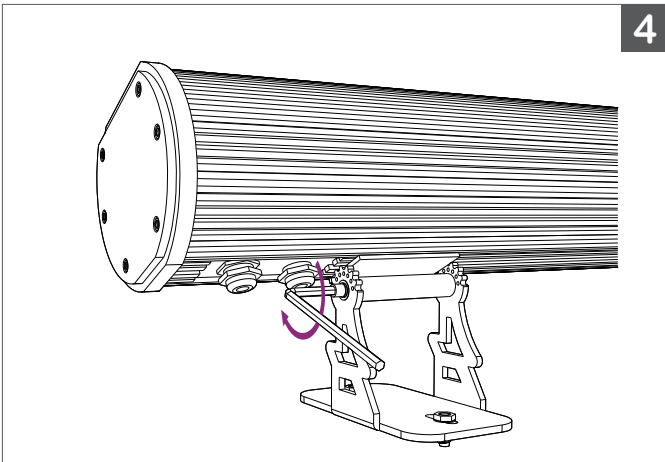
3



3.

Tilt **LN1312** at desired angle.

4



4.

Re-Tighten with Hex Key

