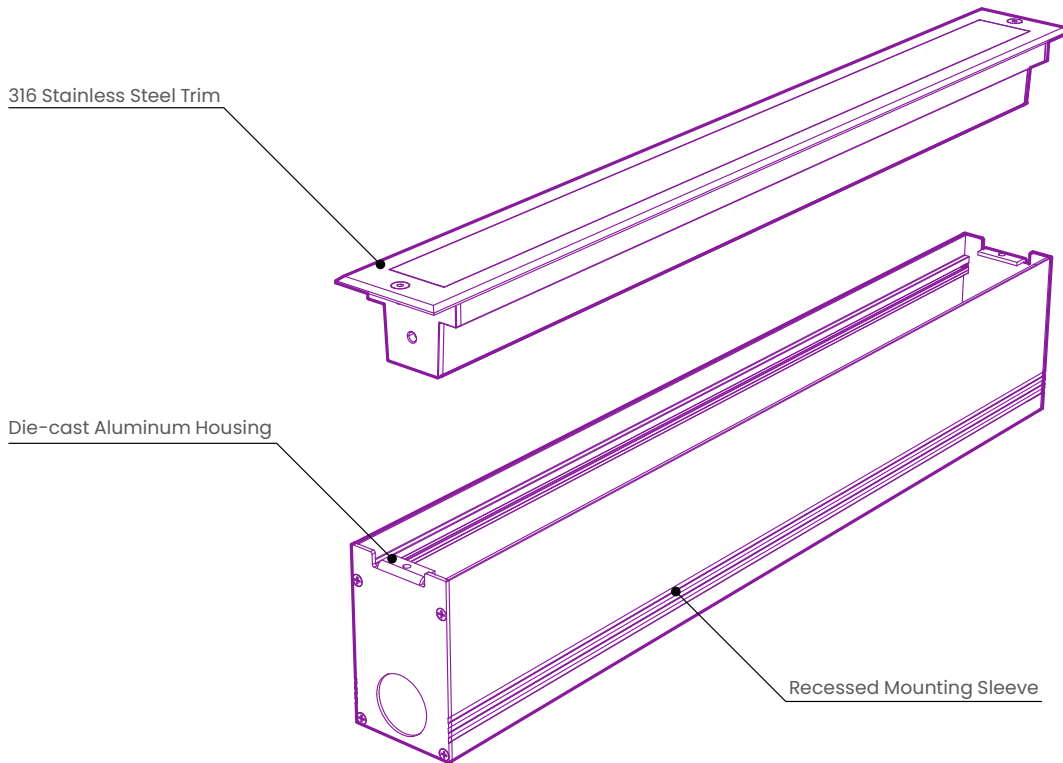




Please note that these instructions are guidelines only and in no way supersede any construction or installation standards. Local building and electrical codes should be consulted before installation.

### ATTENTION

- There is potential danger of electrical shock when operating electrical components.
- Make sure power is turned off before installation.
- Allow for heat dissipation and adequate ventilation.



## Power Supply/Driver Requirements

**LG5 Series** operates on 100-277 VAC, please check the voltage rating before starting. It is imperative that the fixture connects to a stable line voltage. Proper grounding is required; The fixture must be properly grounded to an equipment grounding conductor. Refer to tables in the technical data pages for the power draw requirements. Surge protection is recommended for all applications in order to protect against premature failure. Consult the electrical code for details on mounting and wiring. Please remember that 100-277 VAC LED In-ground light is a line voltage product and consult the appropriate section of the electrical code when selecting wire.



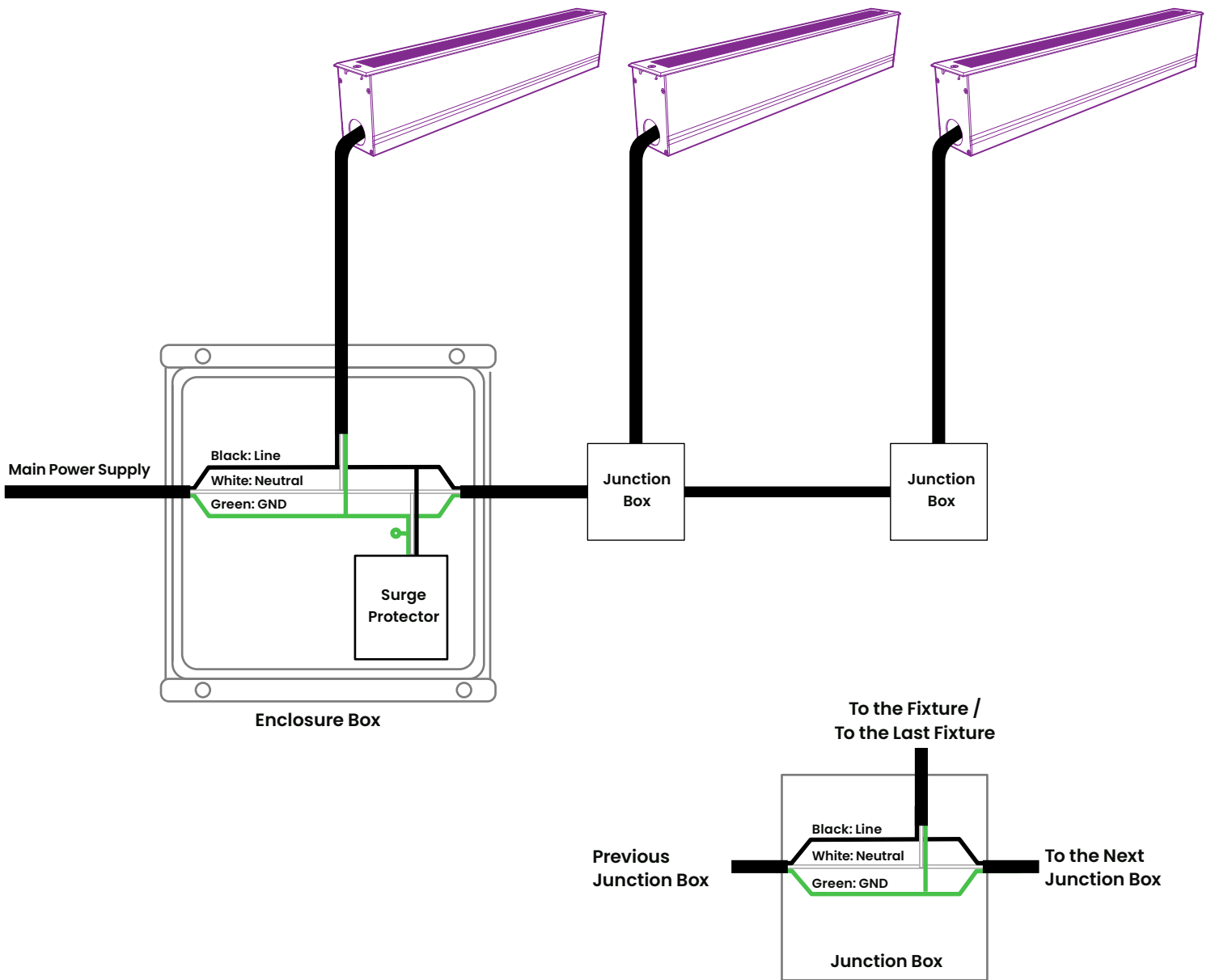
## CONNECTIONS

Static White

### Connection Diagrams

**NOTE:**

- Wiring colours may vary with each product. Follow label instructions.



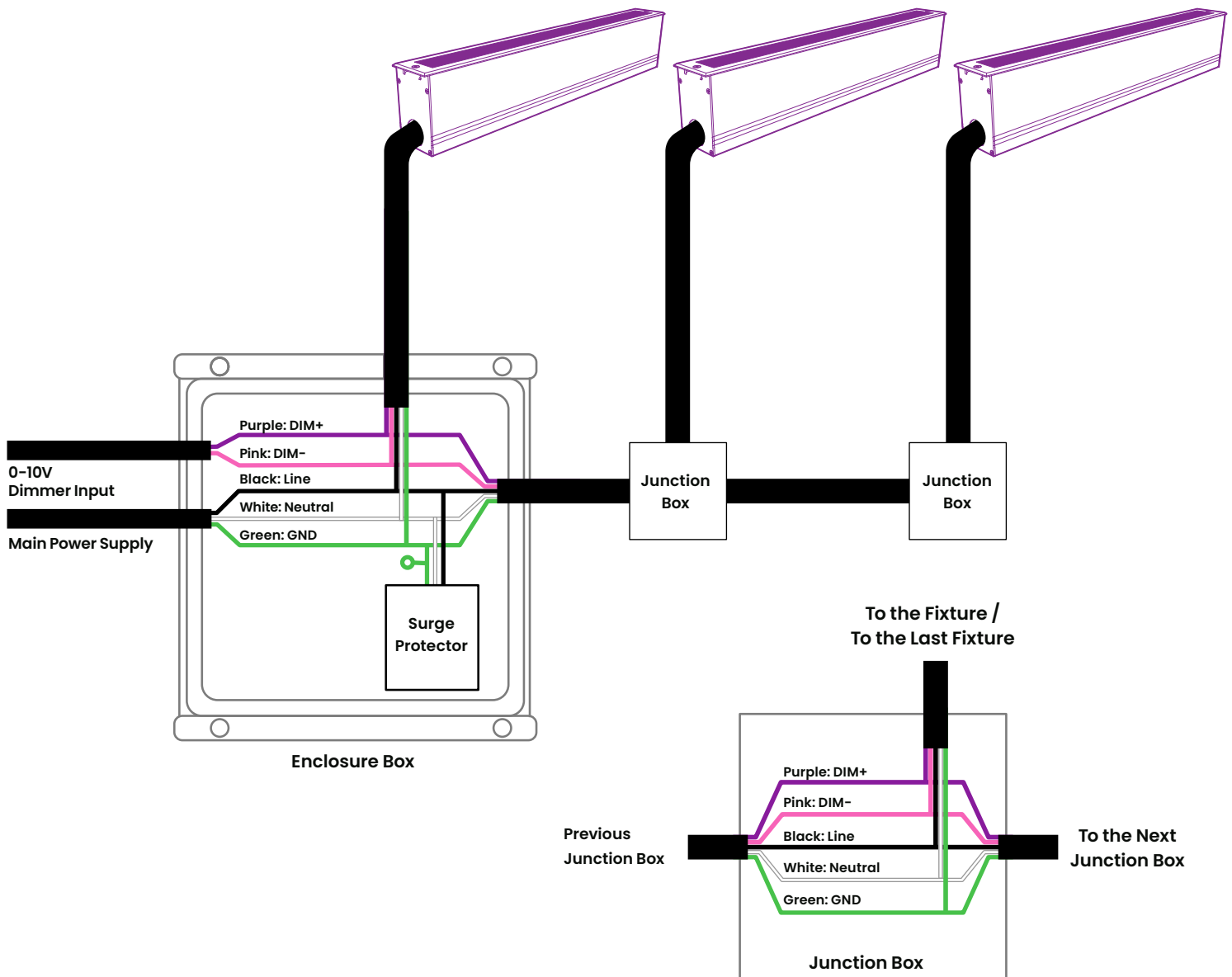
### CONNECTIONS

0-10V

### Connection Diagrams

**NOTE:**

- Wiring colours may vary with each product. Follow label instructions.



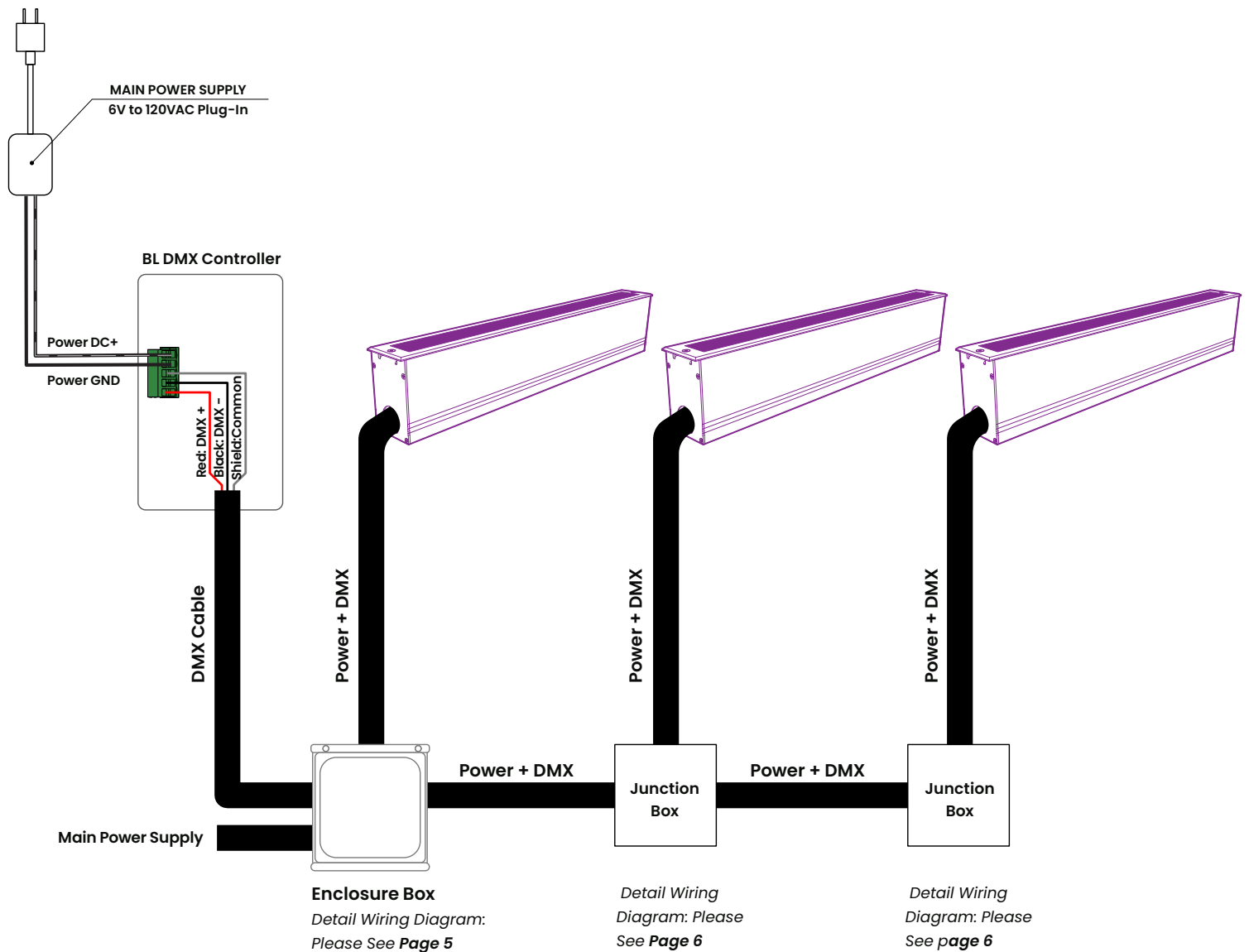
## CONNECTIONS

### Power and DMX

## Connection Diagrams

### NOTE:

- Wiring colours may vary with each product. Follow label instructions.



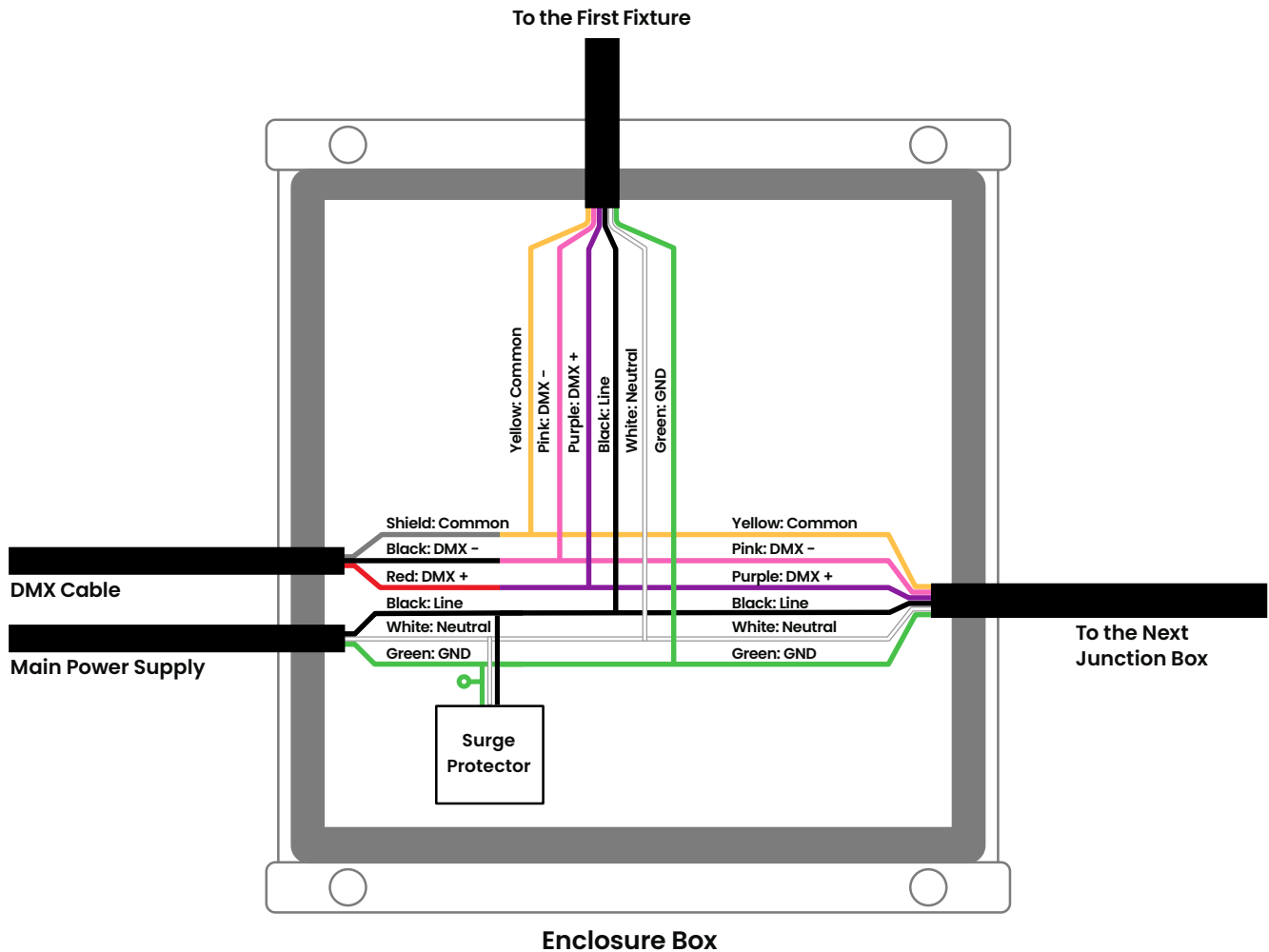
**CONNECTIONS**

Power and DMX - Enclosure Box

**Connection Diagrams**

**NOTE:**

- Wiring colours may vary with each product. Follow label instructions.



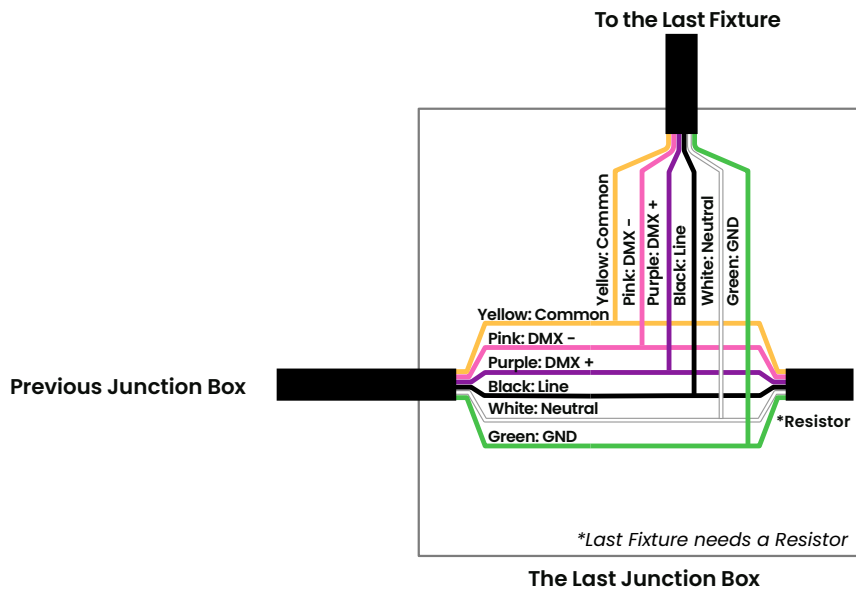
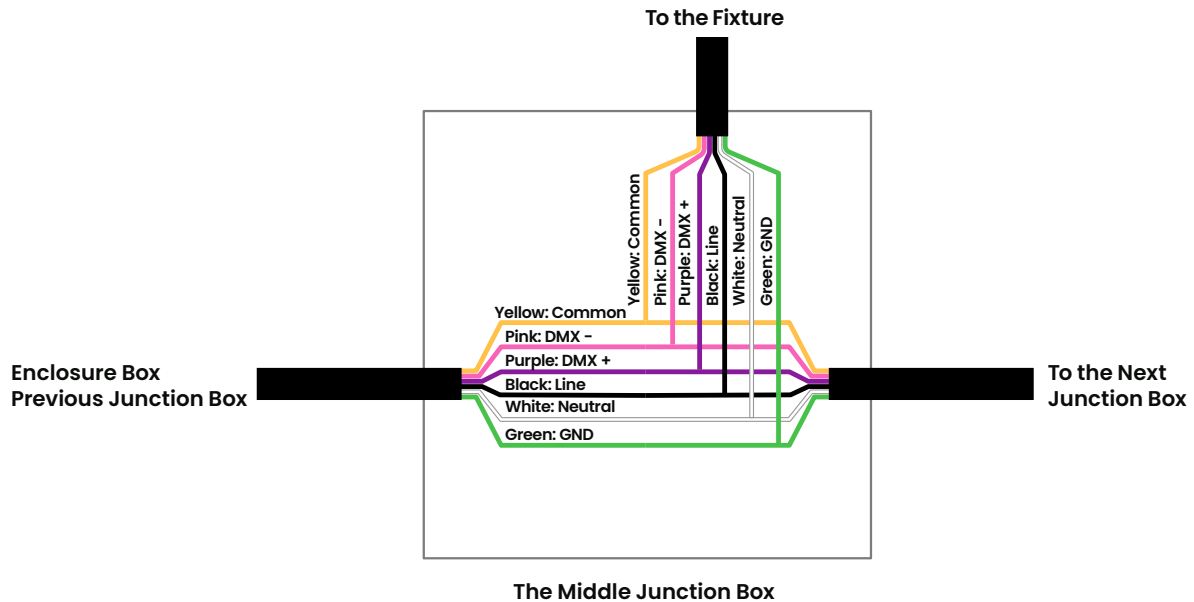
**CONNECTIONS**

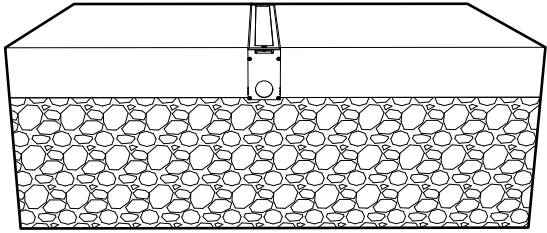
Power and DMX - Junction Box

**Connection Diagrams**

**NOTE:**

- Wiring colours may vary with each product. Follow label instructions.





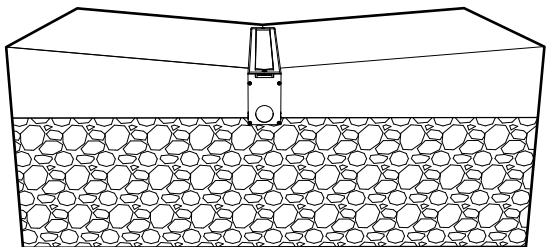
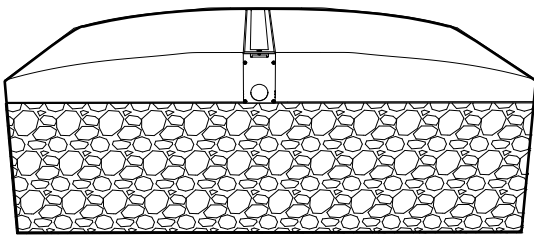
IK08 rated and designed to bear pressure loads up to 330 lbs (150kg), walk over only.

IP67 rated for water resistance. Not for permanent submersion. Luminaire must be installed according to all installation protocol. All connections must be appropriately sealed to eliminate moisture seeping into the system.

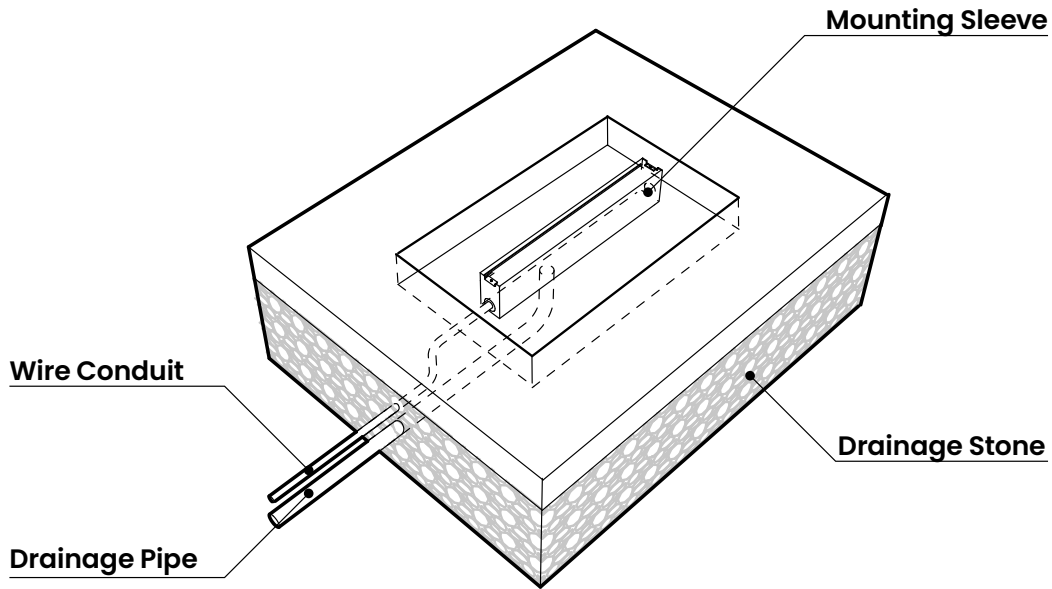
**NOTE:** When installing with metallic raceway or metallic cable sheath, a ground bushing listed for grounding must be connected between each conduit connection and the raceways shall be made electrically continuous by listed equipment bonding jumpers, or other means.

**CAUTION:** Bonding between the grounding bushing or between the grounding bushings and the equipment grounding terminal must be included as part of the installation procedure in accordance with the NEC/Canadian Electrical Code.

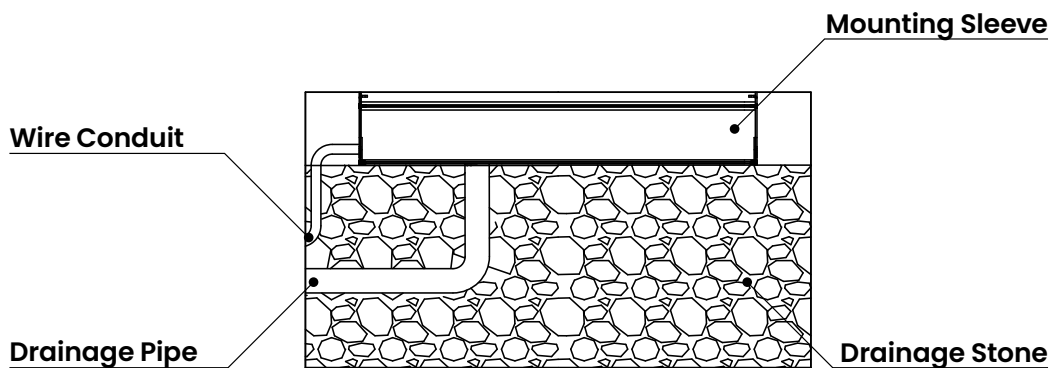
**GROUNDING:** Install the grounding conductor in accordance with requirements of the local Electrical Code.



**PREPARE GROUND**



**Perspective View**



**Side View**

1.

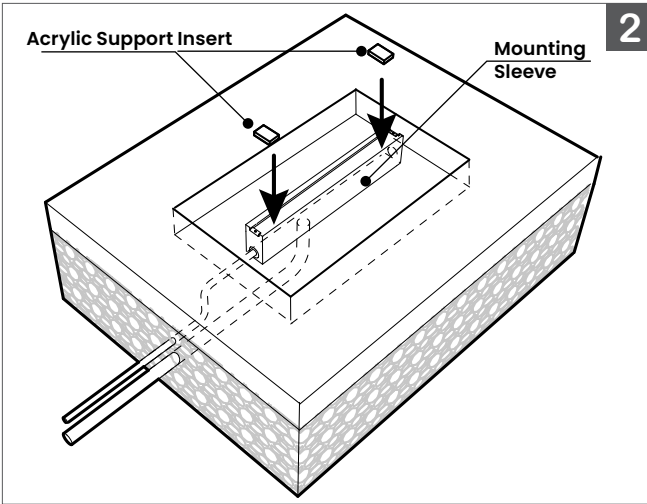
Prepare the ground, provide proper support for the Mounting Sleeve and install an adequate drainage system according to the application. Pipes may be installed in soft or hard ground to provide appropriate drainage.

Luminaire should be installed only when suitable drainage is confirmed (the Mounting Sleeve's capacity drains completely within 30 minutes) and when the Mounting Sleeve is dry and clear from debris.

Please adjust the position of drainage pipe and wire conduit according to the actual installation scenario.

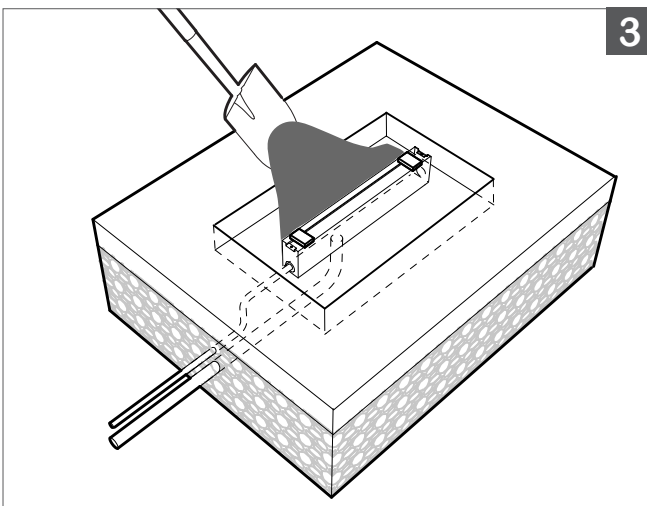


### INSTALLATION



2.

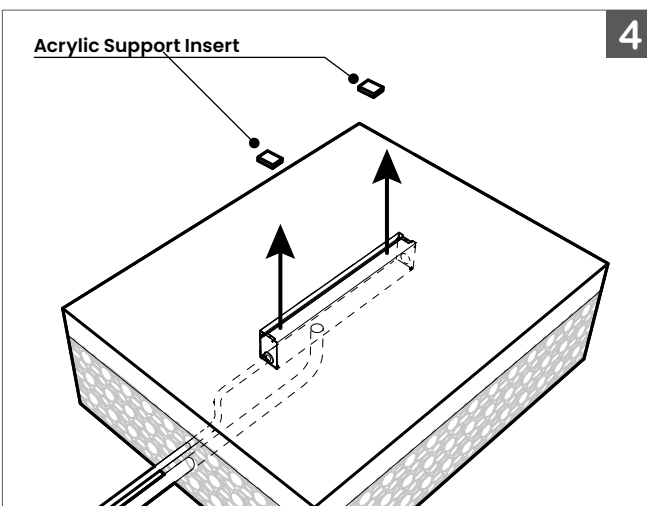
Put Acrylic Support Insert to the Mounting Sleeve to preserve the shape and avoid deforming during concrete pouring.



3.

Before pouring concrete, a final inspection should be conducted. Mounting Sleeve should be flat and stable.

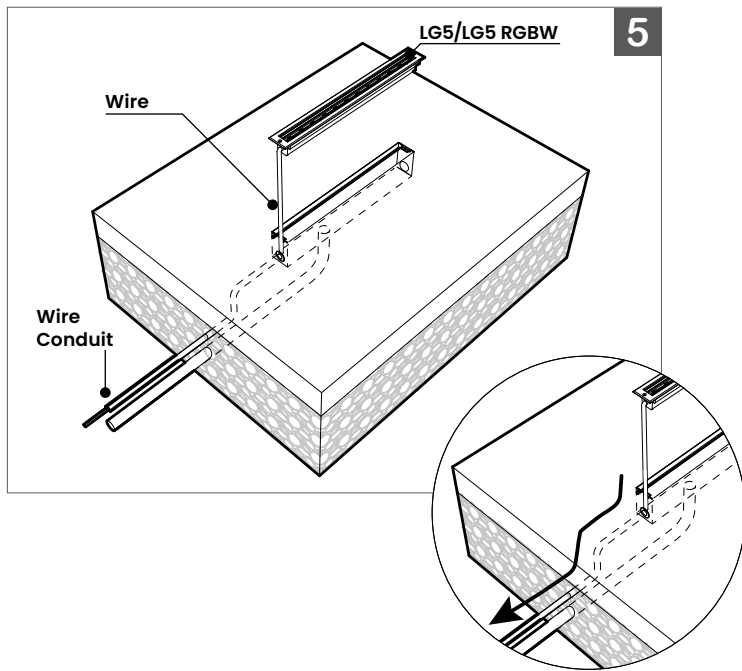
Failing to properly secure the box may result in installation failure and would void the warranty.



4.

Remove Acrylic Support Insert when the concrete has fully hardened.

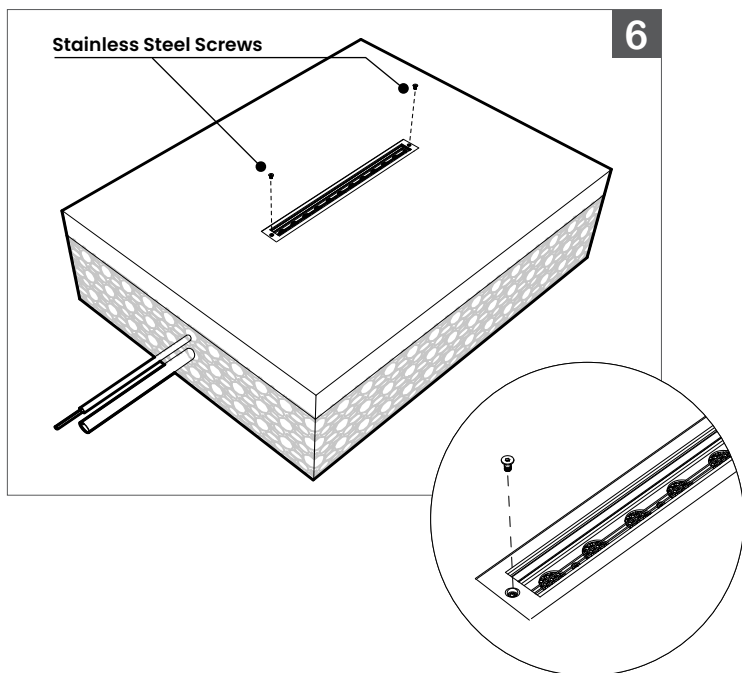




5.

Guide the electrical cable through the Wire Conduit OR connect the cables through the Wire Conduit from outside the Mounting Sleeve.

When the connections are finalized, arrange and fix the cable tidily inside the Mounting Sleeve.



6.

Secure the fixture through mounting holes at the ends of the Stainless Steel Trim to attach the luminaire to the Mounting Sleeve. Please make sure that Stainless Steel Screws are used to prevent corrosion.

**IMPORTANT:** When placing the fixture into the Mounting Sleeve, ensure the cabling are not caught or trapped. Ensure the fitting trim is perfectly even with the floor for a seamless appearance.

