

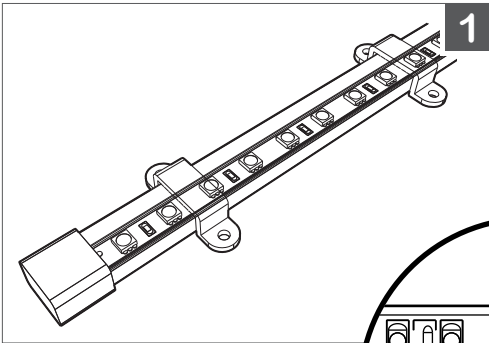


Please note that these instructions are guidelines only and in no way supersede any construction or installation standards. Local building and electrical codes should be consulted before installation.

**ATTENTION**

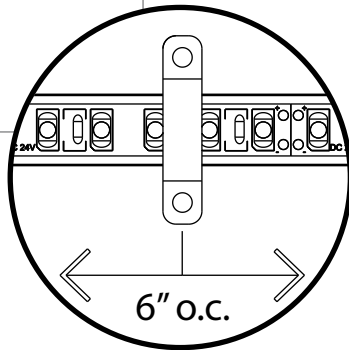
- There is potential danger of electrical shock when operating electrical components.
- Make sure power is turned off before installation.
- Allow for heat dissipation and adequate ventilation.

**CLIP**  
Ideal for wood and other porous surfaces

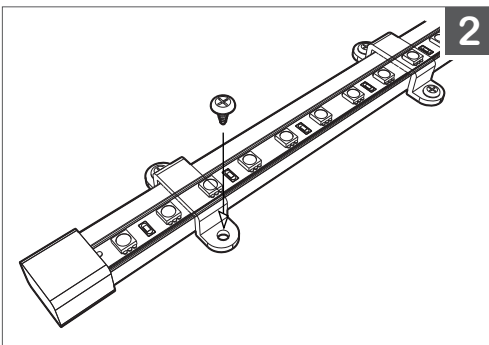


1.

- A. Hold **BL Flexform L1** taught to mounting surface.
- B. Align clips in-between LED diodes (not directly over them).



**NOTE:** Two clips per linear foot is recommended for secure fastening.



2. Mount clips to surface with screws.

**IMPORTANT:** Be careful not to over-tighten screws when using power tools.



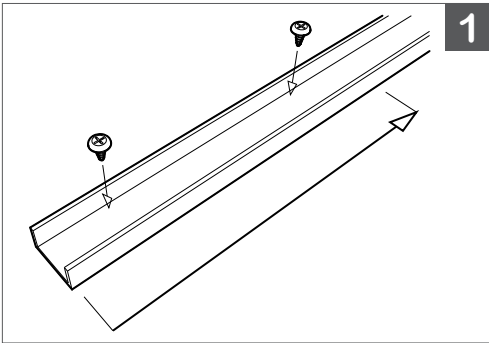


Please note that these instructions are guidelines only and in no way supersede any construction or installation standards. Local building and electrical codes should be consulted before installation.

**ATTENTION**

- There is potential danger of electrical shock when operating electrical components.
- Make sure power is turned off before installation.
- Allow for heat dissipation and adequate ventilation.

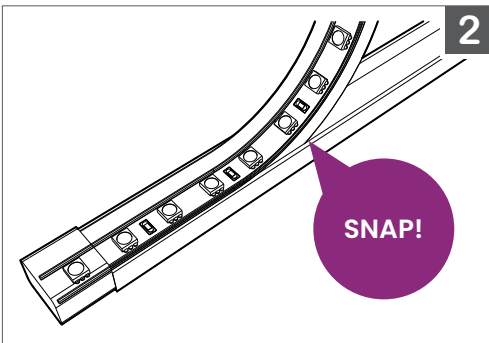
**PVC TRACK**  
Ideal for smooth and/or delicate surfaces



1.

- A. Measure PVC Track to required length and cut for accurate coupling with **BL Flexform L1**.  
B. Surface mount PVC Track with screws.

**IMPORTANT:** Ensure mounting surface is clean and clear of debris.



2. Push **BL Flexform L1** into PVC Track for snug and secure fit.

