

J5 TRIAC D96W

BL Power

Dimming LED Driver (TRIAC, MLV and ELV)
2 x 96W, Constant Voltage, 24VDC



Compatible with TRIAC, ELV and MLV dimming protocols, the J5 TRIAC drivers are UL Listed, Class 2, and have a universal 100–277VAC input voltage. Available in a range of sizes that can power up to 288W over 3x96W output channels, these constant voltage LED drivers are enclosed in a low profile housing with integrated wiring compartments, making installation easy.

Quick Ship

Max. Load Per Output: 80W

CLIENT	
PROJECT NAME	
LOCATION	
DATE	

Product Detail



Electrical

Input Voltage	100–277VAC
Input Frequency	47–63 Hz
Max Input Current	2.3A
Output Voltage	24VDC, Constant Voltage
Power	2 x 96W (Max. Load per Output: 80W)
Min. Power Draw	10W per channel
Dimming	TRIAC, MLV and ELV
Min. Dimming Level	0%
Max. Output Current	2 x 4.0A
Connections	16 AWG, Copper Conductors
Power Factor	0.94 – 0.99
Ambient Temperature	–40°F to 140°F (–40°C to 60°C)
Max. Case Temperature	167°F (75°C)
Circuit	Class 2

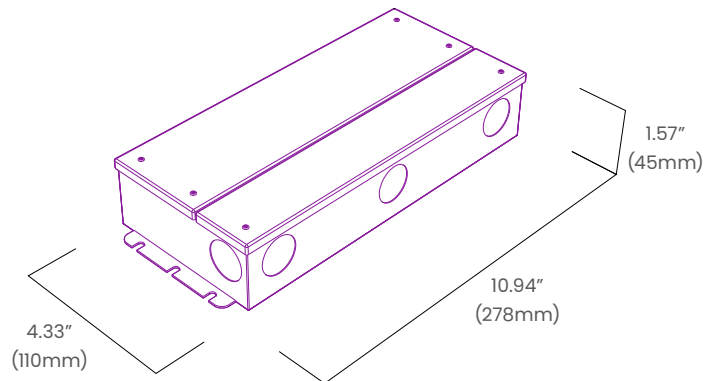
Mechanical

Housing Construction	Anodized Aluminum
Weight	5.1lb (2.3kg)
Environmental	IP65

Ordering

Product Code	Series	Power	Output	Input Voltage	IP Rating
J5TC	P	D96W	24	UNI	IP65

Dimensions



BL LIGHTING ILLUMINATE EVERYTHING

111 - 8838 Heather St. Vancouver, BC, Canada. V6P 3S8
P: 1-804-874-4405 E: info@bllighting.com
Copyright © BL INNOVATIVE LIGHTING. All Rights Reserved.

Solid State Lighting is sensitive to power fluctuations. Surge protection is highly recommended for all LED lighting products and should be on a dedicated circuit to protect against premature failure. Lack of surge protection may void your warranty.

Designed & Assembled in North America.

Specifications subject to change without notice. Please refer to our website at bllighting.com for current technical data.

For more information, please download the BL LIGHTING catalog

bllighting.com

