

J5 T96W

BL Power

Standard LED Driver
3x96W, Constant Voltage, 24VDC



J5 drivers are Class 2, UL Listed, constant voltage LED Drivers perfectly compatible with low-voltage, RGBW & Tunable lighting systems. With a universal 100-277VAC input voltage and available in a range of sizes that can power up to 288W over 3x96W output channels, these constant voltage, non-dimmable LED Drivers are enclosed in a low profile housing with integrated wiring compartments, making installation easy.

Quick Ship

Max. Load Per Output: 80W

CLIENT	
PROJECT NAME	
LOCATION	
DATE	

Product Detail

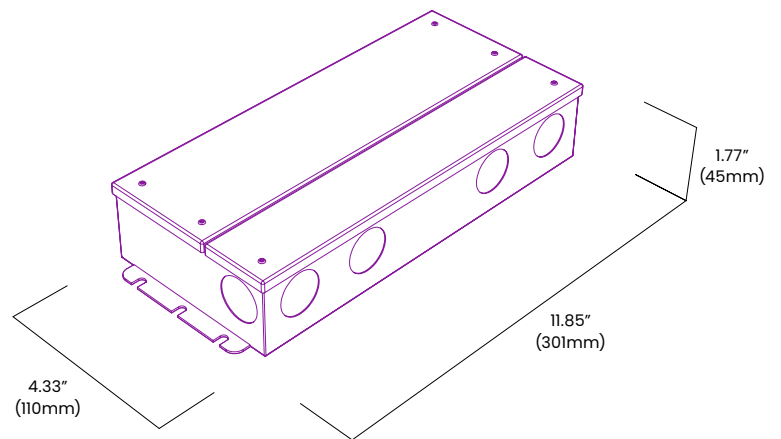


Electrical	Input Voltage	100-277VAC	
	Input Frequency	47-63 Hz	
	Max Input Current	3.6A	
	Output Voltage	24VDC, Constant Voltage	
	Power	3 x 96W (Max. Load per Output: 80W)	
	Min. Power Draw	0W	
	Dimming	Non-dimmable	
	Max. Output Current	3 x 4.0A	
	Connections	16 AWG, Copper Conductors	
	Power Factor	0.95 - 0.99	
Mechanical	Ambient Temperature	-40°F to 140°F (-40°C to 60°C)	
	Max. Case Temperature	158°F (70°C)	
	Circuit	Class 2	
	Housing Construction	Anodized Aluminum	
	Weight	4.9lb (2.2kg)	
	Environmental	IP65	

Ordering

Product Code	Series	Power	Output	Input Voltage	IP Rating
J5ST	P	T96W	24	UNI	IP65

Dimensions



BL LIGHTING ILLUMINATE EVERYTHING

111 - 8838 Heather St. Vancouver, BC, Canada. V6P 3S8
P: 1-804-874-4405 E: info@bllighting.com
Copyright © BL INNOVATIVE LIGHTING. All Rights Reserved.

Solid State Lighting is sensitive to power fluctuations. Surge protection is highly recommended for all LED lighting products and should be on a dedicated circuit to protect against premature failure. Lack of surge protection may void your warranty.

Designed & Assembled in North America.

Specifications subject to change without notice. Please refer to our website at bllighting.com for current technical data.

For more information, please download the BL LIGHTING catalog

bllighting.com

