

J5 DALI 96W

BL Power

Dimming LED Driver (DALI)
96W, Constant Voltage, 24VDC



Featuring DALI-2 dimming, the J5 DALI drivers are UL Listed, Class 2, and have a universal 100-277VAC input voltage. Available in 3 different sizes, 30W, 60W and 96W, these constant voltage LED Drivers are enclosed in a low profile housing with integrated wiring compartments, making installation easy.

Quick Ship

CLIENT	
PROJECT NAME	
LOCATION	
DATE	

Product Detail

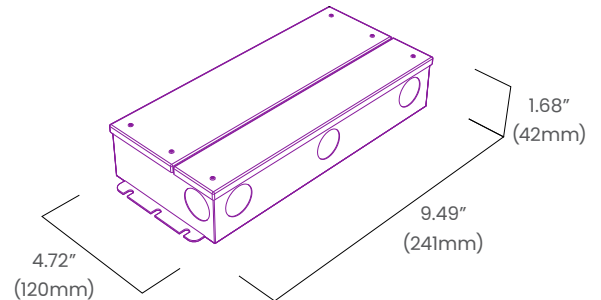


Electrical	Input Voltage	100-277VAC
	Input Frequency	47-63 Hz
	Max Input Current	1.5A
	Output Voltage	24VDC, Constant Voltage
	Power	96W
	Min. Power Draw	1W
	Dimming	DALI
	Number of Channels	1
	Min. Dimming Level	0%
	Max. Output Current	4A
	Connections	18 AWG, Copper Conductors
	Power Factor	0.95 - 0.99
Mechanical	Ambient Temperature	-40°F to 122°F (-40°C to 50°C)
	Max. Case Temperature	131°F (55°C)
	Circuit	Class 2
	Housing Construction	Anodized Aluminum
	Weight	2.9lb (31kg)
	Environmental	IP65
	THD	<15%

Ordering

Product Code	Series	Power	Channels	Output	Input Voltage	IP Rating
J5DA	P	96W	1C	24	UNI	IP65

Dimensions



BL LIGHTING
ILLUMINATE EVERYTHING

111 - 8838 Heather St. Vancouver, BC, Canada. V6P 3S8
P: 1-804-874-4405 E: info@bllighting.com
Copyright © BL INNOVATIVE LIGHTING. All Rights Reserved.

Solid State Lighting is sensitive to power fluctuations. Surge protection is highly recommended for all LED lighting products and should be on a dedicated circuit to protect against premature failure. Lack of surge protection may void your warranty.

Designed & Assembled in North America.

Specifications subject to change without notice. Please refer to our website at bllighting.com for current technical data.

For more information, please download the BL LIGHTING catalog

bllighting.com

