

# J5 Combo 96W

BL Power

Dimming LED Driver (Phase Cut, ELV, MLV, TRIAC and 0-10V) 96W, Constant Voltage, 24VDC



The J5 Combo is our most versatile LED Driver, compatible with TRIAC, ELV, 0-10V, Phase Cut and MLV dimming protocols, and available in a range of sizes that can power up to 288W over 3x96W output channels. These Class 2, UL approved, constant voltage LED drivers have a universal 100-277VAC input voltage and are enclosed in a low profile housing with integrated wiring compartments, making installation easy.

Quick Ship

CLIENT	
PROJECT NAME	
LOCATION	
DATE	

## Product Detail

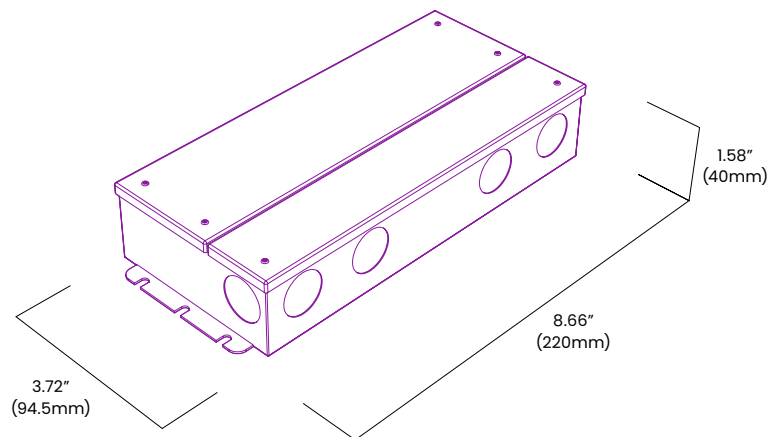


<b>Electrical</b>	Input Voltage	100-277VAC
	Input Frequency	47-63 Hz
	Max Input Current	1.3A
	Output Voltage	24VDC, Constant Voltage
	Power	96W
	Min. Power Draw	10W
	Dimming	TRIAC, ELV, MLV, Phase Cut and 0-10V
	Min. Dimming Level	0%
	Max. Output Current	4.0A
	Connections	16 AWG, Copper Conductors
<b>Mechanical</b>	Power Factor	0.95 - 0.98
	Ambient Temperature	-40°F to 140°F (-40°C to 60°C)
	Max. Case Temperature	158°F (70°C)
	Circuit	Class 2
	Housing Construction	Anodized Aluminum
	Weight	2.9lb (1.3kg)
	Environmental	IP65

## Ordering

Product Code	Series	Power	Output	Input Voltage	IP Rating
J5CB	P	96W	24	UNI	IP65

## Dimensions



### BL LIGHTING ILLUMINATE EVERYTHING

111 - 8838 Heather St. Vancouver, BC, Canada. V6P 3S8  
P: 1-804-874-4405 E: info@bllighting.com  
Copyright © BL INNOVATIVE LIGHTING. All Rights Reserved.

Solid State Lighting is sensitive to power fluctuations. Surge protection is highly recommended for all LED lighting products and should be on a dedicated circuit to protect against premature failure. Lack of surge protection may void your warranty.

Designed & Assembled in North America.

Specifications subject to change without notice. Please refer to our website at bllighting.com for current technical data.

For more information, please download the BL LIGHTING catalog

[bllighting.com](http://bllighting.com)

