

# J5 010V T60W 12V

BL Power

Dimming LED Driver (0-10V)  
3x60W, Constant Voltage, 12VDC



Featuring smooth 0-10V dimming, the J5 010V drivers are UL Listed, Class 2, and have a universal 100-277VAC input voltage. Available in a range of sizes that can power up to 180W over 3x60W output channels, these constant voltage LED Drivers are enclosed in a low profile housing with integrated wiring compartments, making installation easy.

CLIENT	
PROJECT NAME	
LOCATION	
DATE	

## Product Detail

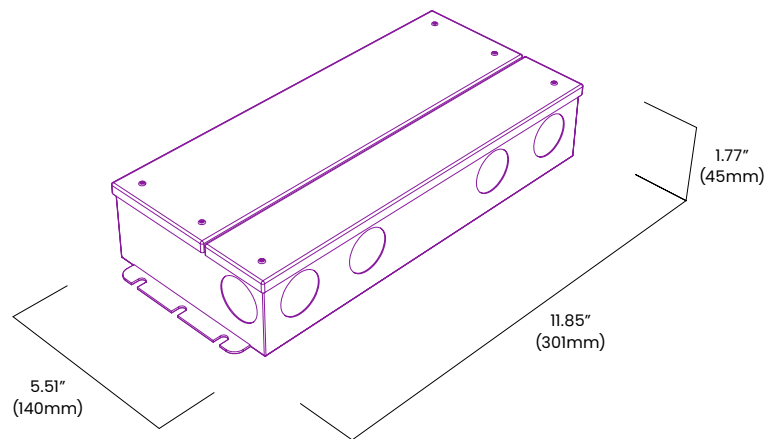


<b>Electrical</b>	Input Voltage	100-277VAC
	Input Frequency	50-60 Hz
	Max Input Current	2.2A
	Output Voltage	12VDC, Constant Voltage
	Power	3 x 60W
	Min. Power Draw	10W per channel
	Dimming	0-10V
	Min. Dimming Level	0%
	Max. Output Current	3 x 5.0A
	Connections	16 AWG, Copper Conductors
	Power Factor	0.97 - 0.98
	Ambient Temperature	-40°F to 140°F (-40°C to 60°C)
Max. Case Temperature	158°F (70°C)	
<b>Mechanical</b>	Circuit	Class 2
	Housing Construction	Anodized Aluminum
	Weight	5.5lb (2.5kg)
	Environmental	IP65

## Ordering

Product Code	Series	Power	Output	Input Voltage	IP Rating
J510	P	T60W	12	UNI	IP65

## Dimensions



### BL LIGHTING ILLUMINATE EVERYTHING

111 - 8838 Heather St. Vancouver, BC, Canada. V6P 3S8  
P: 1-804-874-4405 E: info@bllighting.com  
Copyright © BL INNOVATIVE LIGHTING. All Rights Reserved.

Solid State Lighting is sensitive to power fluctuations. Surge protection is highly recommended for all LED lighting products and should be on a dedicated circuit to protect against premature failure. Lack of surge protection may void your warranty.

Designed & Assembled in North America.

Specifications subject to change without notice. Please refer to our website at bllighting.com for current technical data.

For more information, please download the BL LIGHTING catalog

[bllighting.com](http://bllighting.com)

