

J5 010V 60W

BL Power

Dimming LED Driver (0-10V)
60W, Constant Voltage, 24VDC



Featuring smooth 0-10V dimming, the J5 010V drivers are UL Listed, Class 2, and have a universal 100-277VAC input voltage. Available in a range of sizes that can power up to 288W over 3x96W output channels, these constant voltage LED Drivers are enclosed in a low profile housing with integrated wiring compartments, making installation easy.

Quick Ship

| | |
|--------------|--|
| CLIENT | |
| PROJECT NAME | |
| LOCATION | |
| DATE | |

Product Detail

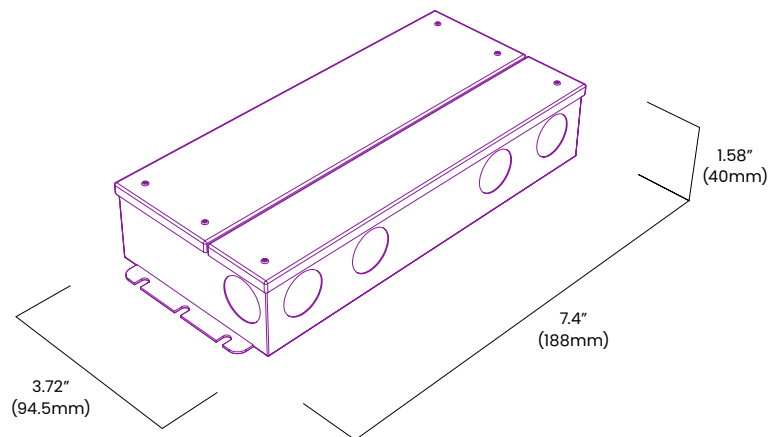


| | | |
|-------------------|-----------------------|--------------------------------|
| Electrical | Input Voltage | 100-277VAC |
| | Input Frequency | 47-63 Hz |
| | Max Input Current | 0.9A |
| | Output Voltage | 24VDC, Constant Voltage |
| | Power | 60W |
| | Min. Power Draw | 6W |
| | Dimming | 0-10V |
| | Min. Dimming Level | 0% |
| | Max. Output Current | 2.5A |
| | Connections | 16 AWG, Copper Conductors |
| Mechanical | Power Factor | 0.95 - 0.99 |
| | Ambient Temperature | -40°F to 140°F (-40°C to 60°C) |
| | Max. Case Temperature | 149°F (65°C) |
| | Circuit | Class 2 |
| | Housing Construction | Anodized Aluminum |
| | Weight | 2.4lb (1.1kg) |
| Environmental | IP65 | |

Ordering

| Product Code | Series | Power | Output | Input Voltage | IP Rating |
|--------------|--------|-------|--------|---------------|-----------|
| J510 | P | 60W | 24 | UNI | IP65 |

Dimensions



BL LIGHTING
ILLUMINATE EVERYTHING

111 - 8838 Heather St. Vancouver, BC, Canada. V6P 3S8
P: 1-604-874-4405 E: info@bllighting.com
Copyright © BL INNOVATIVE LIGHTING. All Rights Reserved.

Solid State Lighting is sensitive to power fluctuations. Surge protection is highly recommended for all LED lighting products and should be on a dedicated circuit to protect against premature failure. Lack of surge protection may void your warranty.

Designed & Assembled in North America.

Specifications subject to change without notice. Please refer to our website at bllighting.com for current technical data.

For more information, please download the BL LIGHTING catalog

bllighting.com

