

# Flat Tunable

BL Neonview

Diffused, Flexible, Linear LED Lighting,  
24VDC, Constant Voltage  
Flat Profile, Silicone, Tunable White



Flat Tunable has a standard fully flexible Silicone encapsulated diffuser and is rated for a range of operating temperatures from -40° F to 131° F (-40° C to 55° C) for sustained ability to weather the elements, even in the most extreme environmental conditions. Set the mood with Flat Tunable, delivering adjustable luminous white light with control options to easily change LED intensity, dim to warm, and tune in to any CCT.

CLIENT	
PROJECT NAME	
LOCATION	
DATE	

Dot-free Seamless connections -40°F to 131°F (-40°C to 55°C) Tunable White

## Product Detail



Lighting	Lamp	LED, SMD 3015
	LED's Per Foot	44 LEDs/ft (144 LEDs/m)
	Beam Angle	120°
	Average Life	50,000 Hours
Electrical	Controls	DMX, Bluetooth
	Input Voltage	24VDC
	Max Input Current	4.12A (White)
	Connections	18AWG, Copper Conductors
	Power Cable Length	Standard 10ft (3m). Also available in 16ft (5m) and 32ft (10m)
Mechanical	Circuit	Class 2
	Housing Construction	Injection Moulded White Silicone
	Minimum Bend Radius	2.25" (60mm)
	Operating Temperature	-40°F to 131°F (-40°C to 55°C)
Environmental	Ingress Protection	IP68
	Impact Protection	IK10
	Vibration Rating	-
	Resistance	UV, Flame, Solvents and Saltwater Resistant
Certifications	cULus, CE, RoHS Compliant	



## Performance

CCT/Color		2200K	5700K	2200K + 5700K
Power	W/FT (W/m)	-	-	3.66 (12)
Lumens	lm/FT (lm/m)	43 (140)	52 (170)	95 (312)
Efficacy	lm/W	-	-	26
CRI	CRI	80		
Increment	inch (mm)	3.28 (83.3)		
Max. Length	ft (m)	24ft 6in (7.5m)		

## Ordering

Product Code	Series	CCT	Input Voltage	IP Rating
FTN	N	2200K-5700K	24	IP68

**Note:**  
Lengths, Lead Orientations & Mounting Accessories for Neonview must be confirmed at time of order.

**BL LIGHTING**  
ILLUMINATE EVERYTHING

111 - 8838 Heather St. Vancouver, BC, Canada. V6P 3S8  
P: 1-804-874-4405 E: info@bllighting.com  
Copyright © BL INNOVATIVE LIGHTING. All Rights Reserved.

Solid State Lighting is sensitive to power fluctuations. Surge protection is highly recommended for all LED lighting products and should be on a dedicated circuit to protect against premature failure. Lack of surge protection may void your warranty.

Designed & Assembled in North America.

Specifications subject to change without notice. Please refer to our website at bllighting.com for current technical data.

For more information, please download the BL LIGHTING catalog

bllighting.com



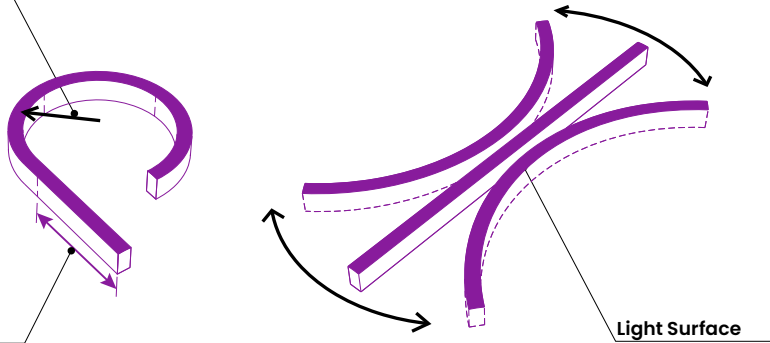
## Minimum Bend Radius and Bend Orientation

### Minimum Bend Radius

2.25" (60mm)

### Cutting Increments

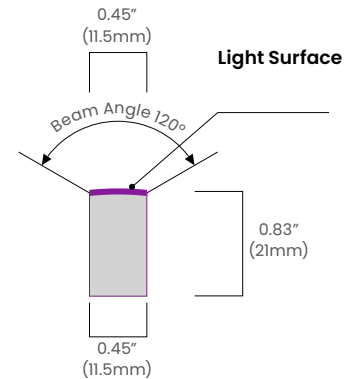
3.28" (83.3mm)



**BL Neonview Flat Series bends horizontally**

Vertical bend option available on BL NeonView Side Series

## Beam Angle & Viewing Angle

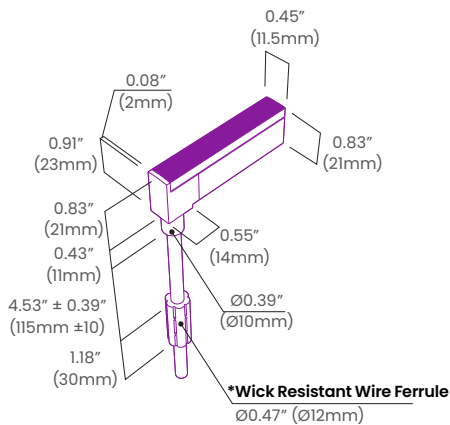


Average Beam Angle (50%): 112.2°

## Dimensions & Lead Orientations

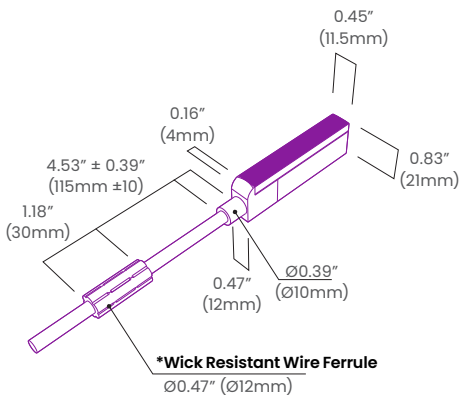
### Back Lead

NVS FT BC 68

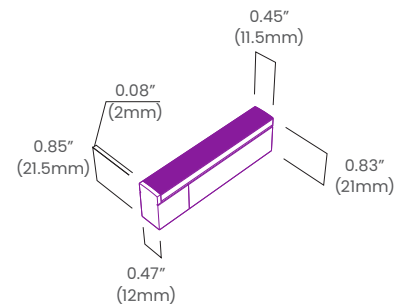


### End Lead

NVS FT EC 68

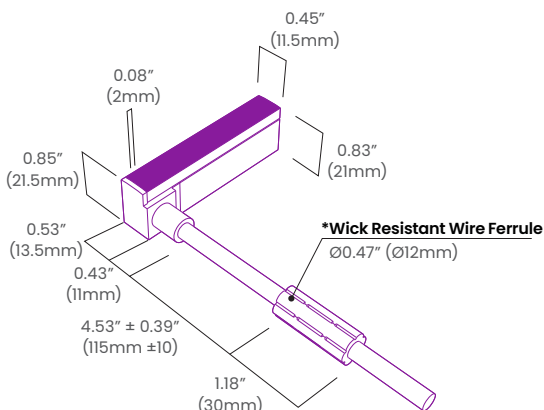


### End Cap



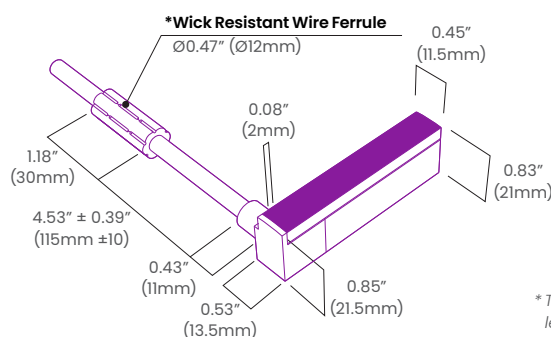
### Right Side Lead

NVS FT RC 68



### Left Side Lead

NVS FT LC 68



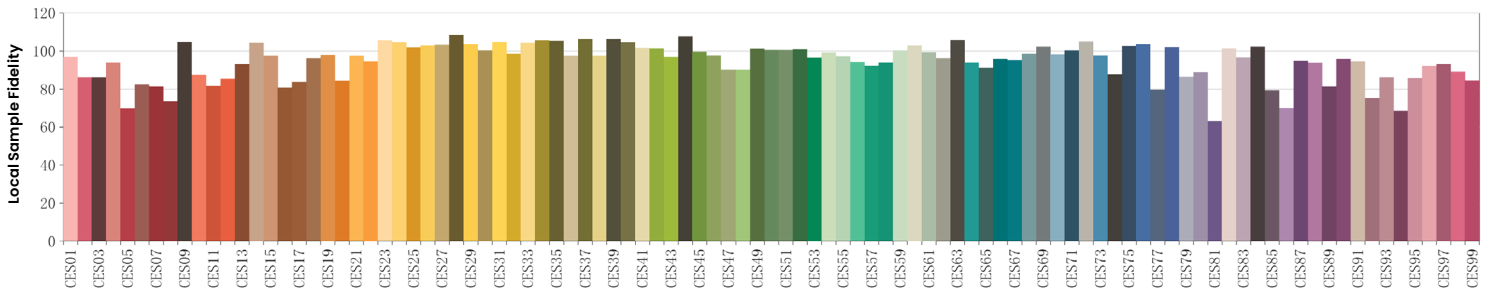
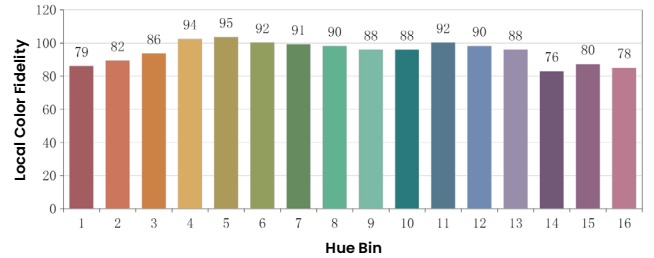
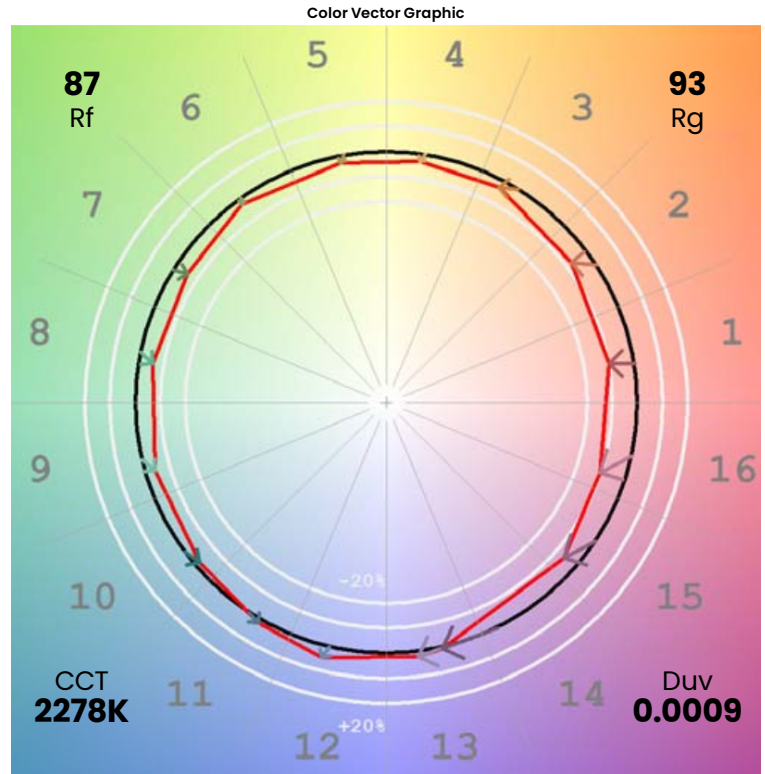
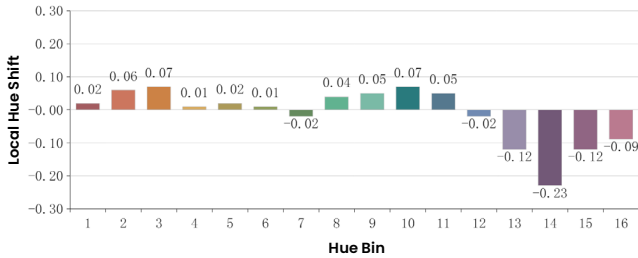
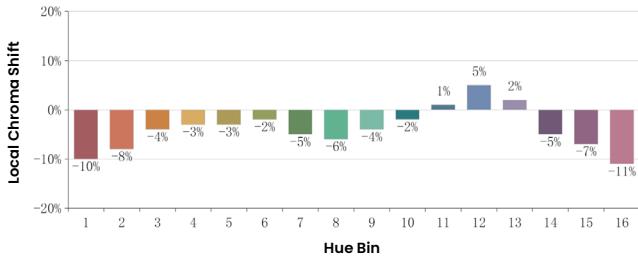
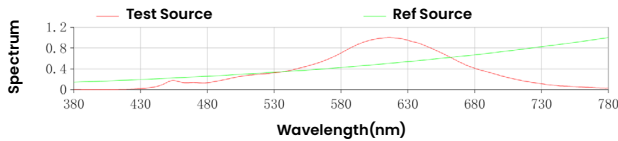
\*The Wick Resistant Wire Ferrule is built into the lead wire, 4.5" (115mm) from the BL Neonview Termination Connection, for additional moisture ingress protection. Removal of the Wick Resistant Wire Ferrule may void your warranty.



## Colorimetric Details (2200K LED)

CCT	CRI	Rf	Rg
2200K	85	87	93

Rf: 87      CCT: 2278K      u': 0.2848  
Rg: 93      Duv: 0.0009      v': 0.5362



\*All results in accordance with ANSI C78.377 standard

