

# Flat RGBW

BL Neonview

Diffused, Flexible, Linear LED Lighting,  
24VDC, Constant Voltage  
Flat Profile, Silicone, Color Changing



Flat RGBW has a fully flexible Silicone encapsulated diffuser and is rated for a range of operating temperatures from -40° F to 131° F (-40° C to 55° C) for sustained ability to weather the elements, even in the most extreme environmental conditions. A Flat shaped lens profile with 120° beam angle delivers up to 97 lm/ft and provides uniform, dot-free illumination. Flat RGBW delivers luminous white light in 2700K, 3000K, or 4000K, plus RGB for tailor-made colors and scenes. A dynamic range of compatible BL Controltask controller options are available to easily create sophisticated and interactive illuminated displays.

**Dot-free** | **Seamless connections** | **-40°F to 131°F (-40°C to 55°C)** | **Color Changing**

<b>CLIENT</b>	
<b>PROJECT NAME</b>	
<b>LOCATION</b>	
<b>DATE</b>	

## Product Detail



<b>Lighting</b>	Lamp	LED, SMD 5050
	LED's Per Foot	18 LEDs/ft (60 LEDs/m)
	Beam Angle	120°
	Average Life	50,000 Hours
<b>Electrical</b>	Wavelength	Red (618-624nm), Green (522-528nm), Blue (468-474nm)
	Controls	DMX, Bluetooth
	Input Voltage	24VDC
	Max Input Current	4.12A
	Connections	20AWG, Copper Conductors
<b>Mechanical</b>	Power Cable Length	Standard 10ft (3m). Also available in 16ft (5m) and 32ft (10m)
	Circuit	Class 2
	Housing Construction	Injection Moulded White Silicone
	Minimum Bend Radius	2.25" (60mm)
<b>Environmental</b>	Operating Temperature	-40°F to 131°F (-40°C to 55°C)
	Ingress Protection	IP68
	Impact Protection	IK10
	Vibration Rating	-
	Resistance	UV, Flame, Solvents and Saltwater Resistant
Certifications		cULus, CE, RoHS Compliant

## Performance

CCT/Color		RGB	RGBW (2700K)	RGBW (3000K)	RGBW (4000K)
<b>Power</b>	W/FT (W/m)	3.66 (12)	4.57 (15)		
<b>Lumens</b>	lm/FT (lm/m)	59 (195)	97 (318)	97 (318)	97 (318)
<b>Efficacy</b>	lm/W	16	21	21	21
<b>CRI</b>	CRI	-	80 (white LED only)		
<b>Increment</b>	inch (mm)	3.94 (100)			
<b>Max. Length</b>	ft (m)	24ft 6in (7.5m)	19ft 6in (5.95m)		

## Ordering

Product Code	Series	Color	Input Voltage	IP Rating
FC	N		24	IP68
		RGB		
		RGBW (2700K)		
		RGBW (3000K)		
		RGBW (4000K)		

**Note:**  
Lengths, Lead Orientations & Mounting Accessories for Neonview must be confirmed at time of order.

### BL LIGHTING ILLUMINATE EVERYTHING

111 - 8838 Heather St. Vancouver, BC, Canada. V6P 3S8  
P: 1-604-874-4405 E: info@bllighting.com  
Copyright © BL INNOVATIVE LIGHTING. All Rights Reserved.

Solid State Lighting is sensitive to power fluctuations. Surge protection is highly recommended for all LED lighting products and should be on a dedicated circuit to protect against premature failure. Lack of surge protection may void your warranty.

Designed & Assembled in North America.

Specifications subject to change without notice. Please refer to our website at bllighting.com for current technical data.

For more information, please download the BL LIGHTING catalog

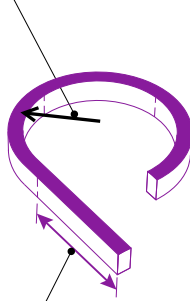
bllighting.com



## Minimum Bend Radius and Bend Orientation

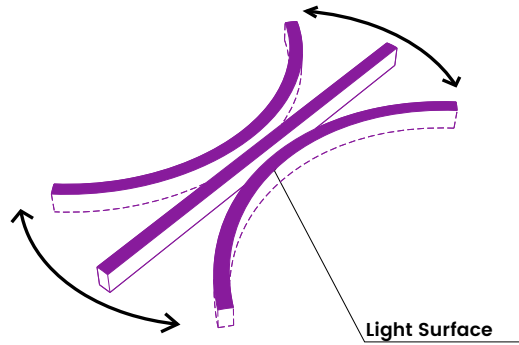
### Minimum Bend Radius

2.25" (60mm)



### Cutting Increments

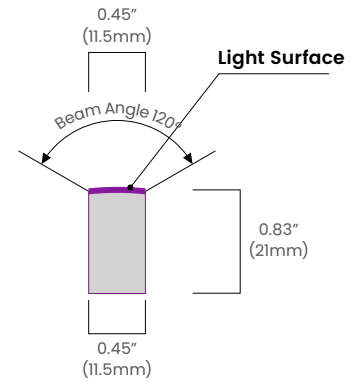
3.94" (100mm)



**BL Neonview Flat Series bends horizontally**

Vertical bend option available on BL Neonview Side Series

## Beam Angle & Viewing Angle

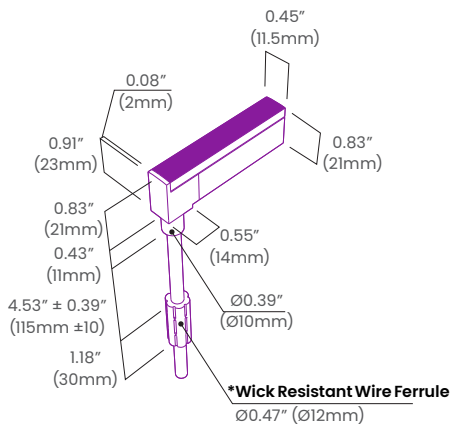


Average Beam Angle (50%): 111.4°

## Dimensions & Lead Orientations

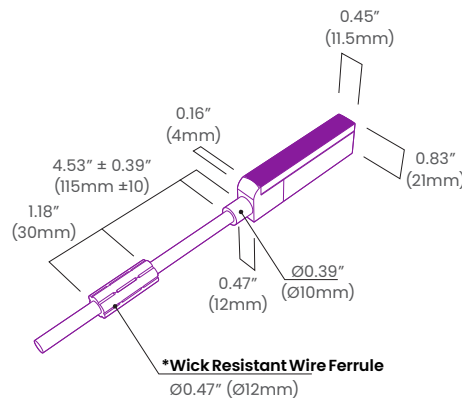
### Back Lead

NVS RGBW FT BC 68

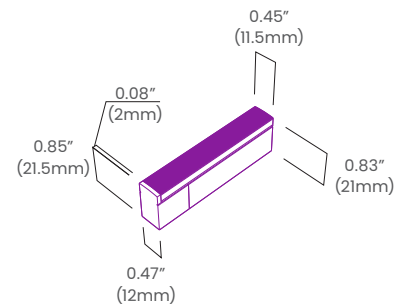


### End Lead

NVS RGBW FT EC 68

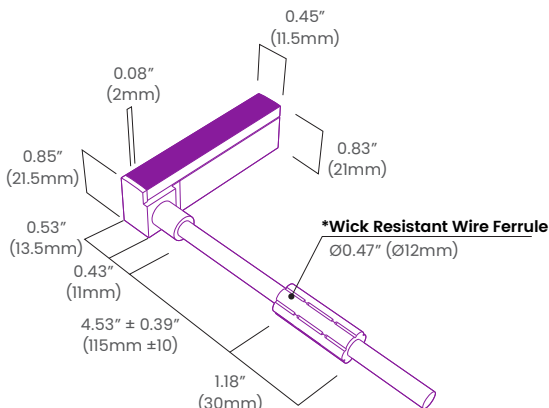


### End Cap



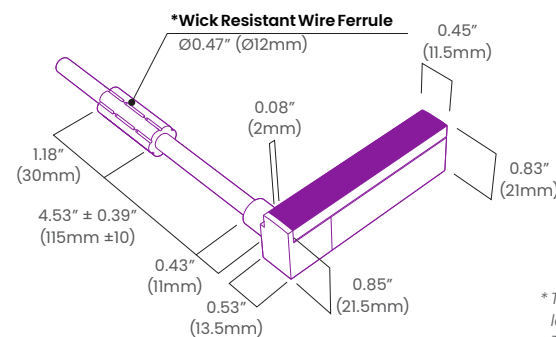
### Right Side Lead

NVS RGBW FT RC 68



### Left Side Lead

NVS RGBW FT LC 68



\*The Wick Resistant Wire Ferrule is built into the lead wire, 4.5" (115mm) from the BL Neonview Termination Connection, for additional moisture ingress protection. Removal of the Wick Resistant Wire Ferrule may void your warranty.

