

Flat DTW

BL Neonview

Diffused, Flexible, Linear LED Lighting,
24VDC, Constant Voltage
Flat Profile, Silicone, Dim-to-Warm



Flat DTW replicates the natural, comfortable glow of incandescent dimming, with an efficient 1800K to 3000K CCT that warms when dimmed, has a standard fully flexible Silicone encapsulated diffuser, and is rated for a range of operating temperatures from -40° F to 131° F (-40° C to 55° C) for sustained ability to weather the elements, even in the most extreme environmental conditions.

CLIENT	
PROJECT NAME	
LOCATION	
DATE	

Dot-free Seamless connections -40°F to 131°F (-40°C to 55°C) DIM-TO-WARM

Product Detail



Lighting	Lamp	LED, SMD 5050
	LED's Per Foot	44 LEDs/ft (144 LEDs/m)
	Beam Angle	120°
	Average Life	50,000 Hours
Electrical	Controls	0-10V, MLV, ELV, Phase-Cut, Triac, DMX, Bluetooth
	Input Voltage	24VDC
	Max Input Current	4.12A (White)
	Connections	18AWG, Copper Conductors
	Power Cable Length	Standard 10ft (3m). Also available in 16ft (5m) and 32ft (10m)
Mechanical	Circuit	Class 2
	Housing Construction	Injection Moulded White Silicone
	Minimum Bend Radius	2.25" (60mm)
	Operating Temperature	-40°F to 131°F (-40°C to 55°C)
Environmental	Ingress Protection	IP68
	Impact Protection	IK10
	Vibration Rating	-
	Resistance	UV, Flame, Solvents and Saltwater Resistant
	Certifications	cULus, CE, RoHS Compliant

Performance

CCT/Color		1800K	3000K	1800K + 3000K
Power	W/FT (W/m)	-	-	3.66 (12)
Dimming	%	5	100	-
Lumens	lm/FT (lm/m)	1 (3)	104 (341)	-
Efficacy	lm/W	<1	28	-
CRI	CRI	80	90	80+
Increment	inch (mm)	3.28 (83.3)		
Max. Length	ft (m)	24ft 6in (7.5m)		

Ordering

Product Code	Series	CCT	Input Voltage	IP Rating
FDTW	N	1800K-3000K	24	IP68

Note:
Lengths, Lead Orientations & Mounting Accessories for Neonview must be confirmed at time of order.

BL LIGHTING ILLUMINATE EVERYTHING

111 - 8838 Heather St. Vancouver, BC, Canada. V6P 3S8
P: 1-804-874-4405 E: info@bllighting.com
Copyright © BL INNOVATIVE LIGHTING. All Rights Reserved.

Solid State Lighting is sensitive to power fluctuations. Surge protection is highly recommended for all LED lighting products and should be on a dedicated circuit to protect against premature failure. Lack of surge protection may void your warranty.

Designed & Assembled in North America.

Specifications subject to change without notice. Please refer to our website at bllighting.com for current technical data.

For more information, please download the BL LIGHTING catalog

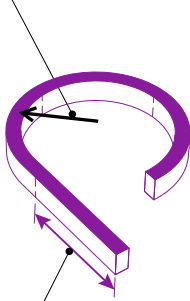
bllighting.com



Minimum Bend Radius and Bend Orientation

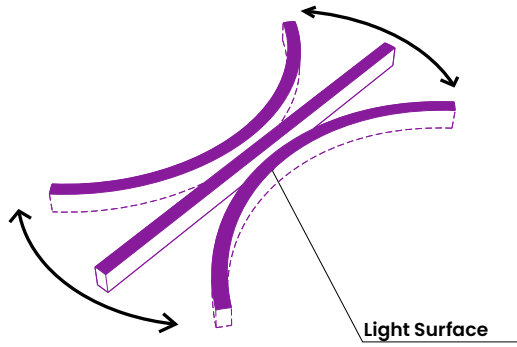
Minimum Bend Radius

2.25" (60mm)



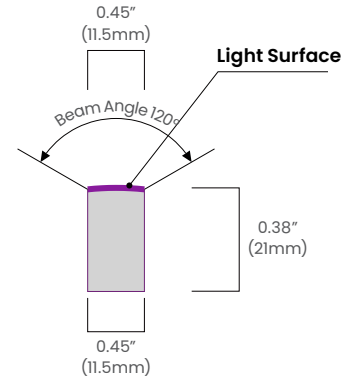
Cutting Increments

3.28" (83.3mm)



Light Surface

Beam Angle & Viewing Angle



BL Neonview Flat Series bends horizontally

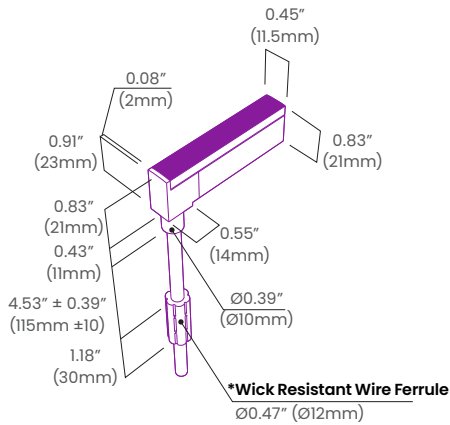
Vertical bend option available on BL Neonview Side Series

Average Beam Angle (50%): 111.4°

Dimensions & Lead Orientations

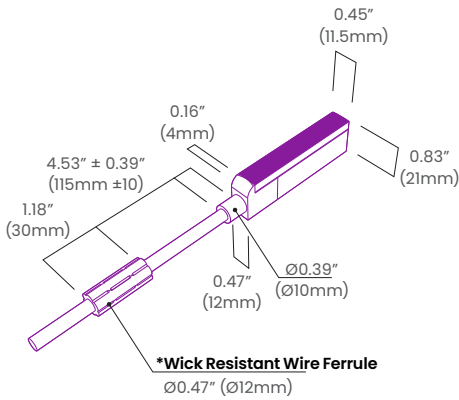
Back Lead

NVS FT BC 68

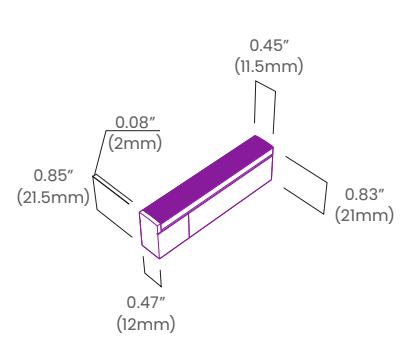


End Lead

NVS FT EC 68

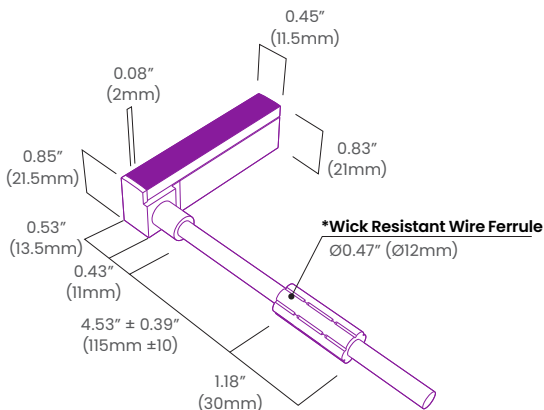


End Cap



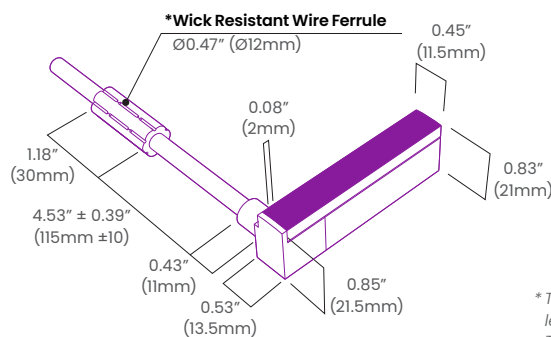
Right Side Lead

NVS FT RC 68



Left Side Lead

NVS FT LC 68



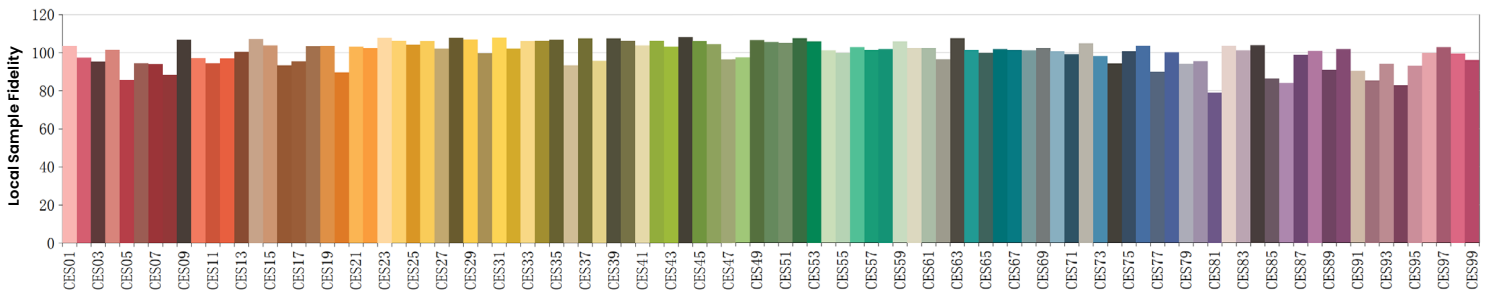
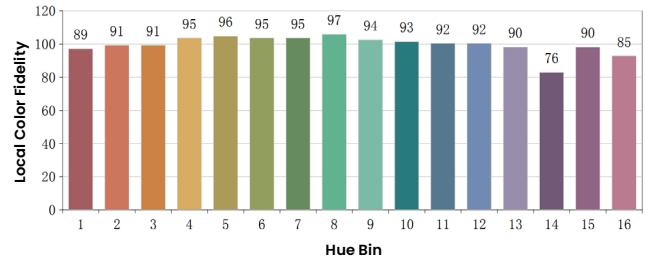
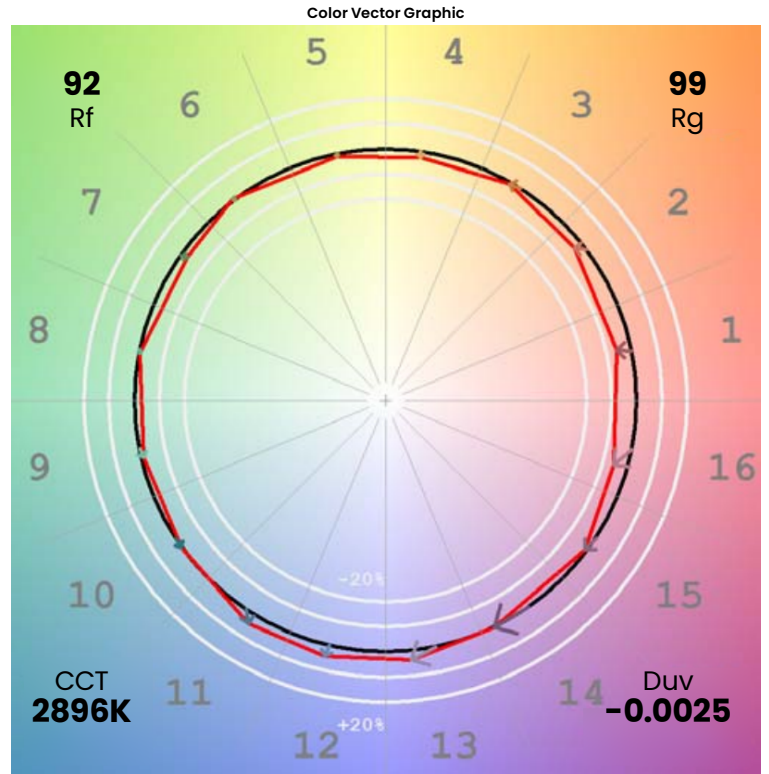
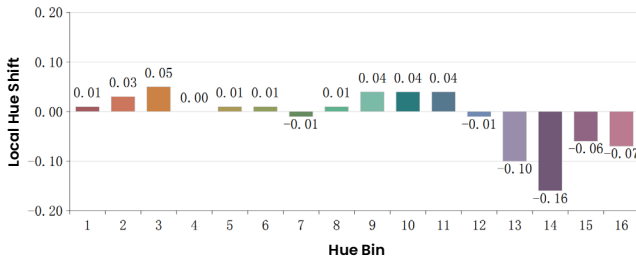
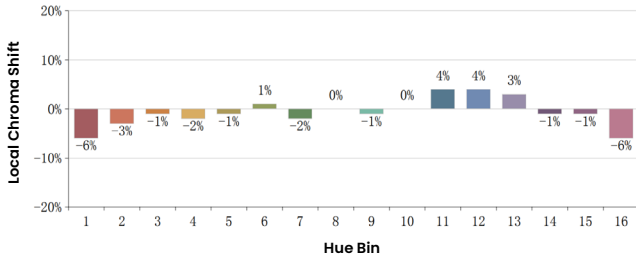
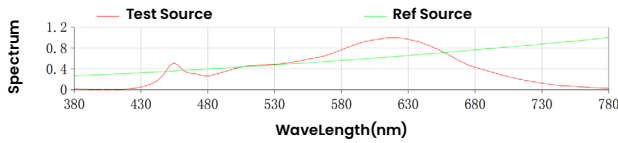
*The Wick Resistant Wire Ferrule is built into the lead wire, 4.5" (115mm) from the BL NeonView Termination Connection, for additional moisture ingress protection. Removal of the Wick Resistant Wire Ferrule may void your warranty.



Colorimetric Details (3000K LED)

CCT	CRI	Rf	Rg
3000K	92	92	99

Rf: 92 CCT: 2896K u': 0.2552
Rg: 99 Duv: -0.0025 v': 0.5200



*All results in accordance with ANSI C78.377 standard

