

E3 8W 12V

BL Power

Electronic LED Driver
8W, Constant Voltage, 12VDC



E3 are constant voltage LED Drivers perfectly compatible with low-voltage, Static White, RGBW & Tunable lighting systems. These non-dimmable LED Drivers have an ultra compact form factor and are ideal for under cabinet and shelving applications.

CLIENT	
PROJECT NAME	
LOCATION	
DATE	

Ultra Compact Form Factor

Product Detail



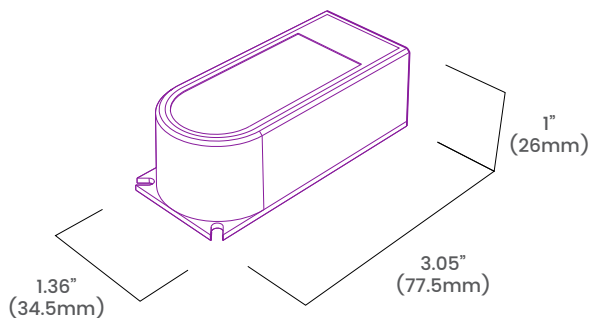
Electrical	Input Voltage	108-132VAC
	Output Voltage	12VDC
	Power	8W
	Min. Power Draw	0W
	Dimming	Non-dimmable
	Max. Output Current	0.67A
	Connections	18AWG, Copper Conductors
Mechanical	Circuit	Class 2
	Weight	0.25lb (0.11kg)
Environmental	Ingress Protection	IP20
	Certifications	ETL
	Operating Temperature	-13°F to 113°F (-25°C to 45°C)



Ordering

Product Code	Series	Power	Output	Input Voltage	IP Rating
E3ST	P	8W	12	120	IP20

Dimensions



BL LIGHTING ILLUMINATE EVERYTHING

111 - 8838 Heather St. Vancouver, BC, Canada. V6P 3S8
P: 1-604-874-4405 E: info@blighting.com
Copyright © BL INNOVATIVE LIGHTING. All Rights Reserved.

Solid State Lighting is sensitive to power fluctuations. Surge protection is highly recommended for all LED lighting products and should be on a dedicated circuit to protect against premature failure. Lack of surge protection may void your warranty.

Designed & Assembled in North America.

Specifications subject to change without notice. Please refer to our website at blighting.com for current technical data.

For more information, please download the BL LIGHTING catalog

blighting.com

