

# E3 15W

BL Power

Electronic LED Driver  
15W, Constant Voltage, 24VDC



E3 are constant voltage LED Drivers perfectly compatible with low-voltage, Static White, RGBW & Tunable lighting systems. These non-dimmable LED Drivers have an ultra compact form factor and are ideal for under cabinet and shelving applications.

CLIENT	
PROJECT NAME	
LOCATION	
DATE	

Ultra Compact Form Factor

## Product Detail



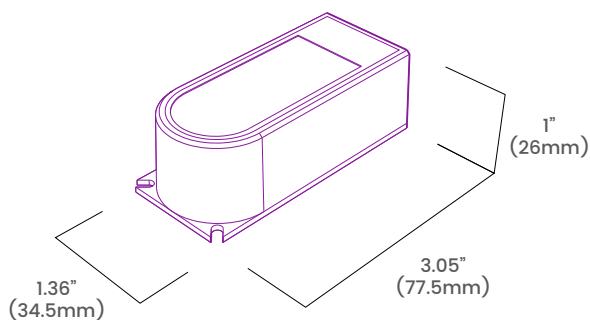
<b>Electrical</b>	Input Voltage	108-132VAC
	Output Voltage	24VDC
	Power	15W
	Min. Power Draw	0W
	Dimming	Non-dimmable
	Max. Output Current	0.625A
	Connections	18AWG, Copper Conductors
<b>Mechanical</b>	Circuit	Class 2
	Weight	0.25lb (0.11kg)
<b>Environmental</b>	Ingress Protection	IP20
	Certifications	ETL
	Operating Temperature	-13°F to 113°F (-25°C to 45°C)



## Ordering

Product Code	Series	Power	Output	Input Voltage	IP Rating
E3ST	P	15W	24	120	IP20

## Dimensions



### BL LIGHTING ILLUMINATE EVERYTHING

111 - 8838 Heather St. Vancouver, BC, Canada. V6P 3S8  
P: 1-604-874-4405 E: info@bllighting.com  
Copyright © BL INNOVATIVE LIGHTING. All Rights Reserved.

Solid State Lighting is sensitive to power fluctuations. Surge protection is highly recommended for all LED lighting products and should be on a dedicated circuit to protect against premature failure. Lack of surge protection may void your warranty.

Designed & Assembled in North America.

Specifications subject to change without notice. Please refer to our website at bllighting.com for current technical data.

For more information, please download the BL LIGHTING catalog

[bllighting.com](http://bllighting.com)

