



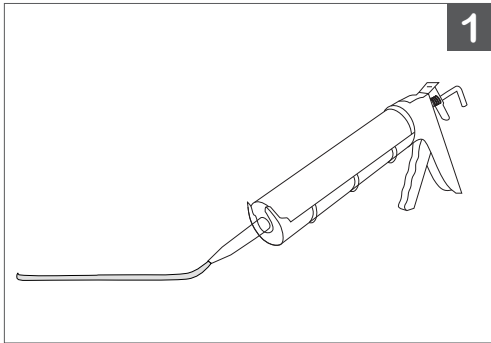
Please note that these instructions are guidelines only and in no way supersede any construction or installation standards. Local building and electrical codes should be consulted before installation.

ATTENTION

- There is potential danger of electrical shock when operating electrical components.
- Make sure power is turned off before installation.
- Allow for heat dissipation and adequate ventilation.

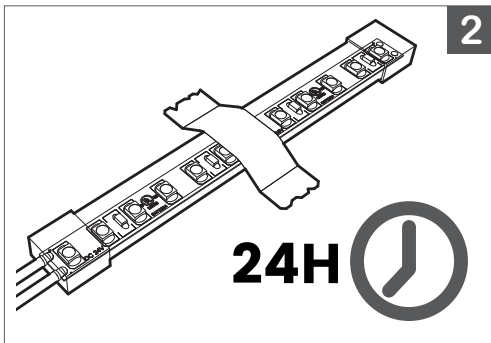
ADHESIVE

Ideal for smooth and/or delicate surfaces



1. Evenly bead adhesive to surface at require length.

IMPORTANT: Ensure surface is clean and dry before applying adhesive.



2.

- A. Firmly press **LED Tape** into adhesive.
- B. Secure **LED Tape** into position with masking tape.
- C. Allow the adhesive to cure for 24 hours before removing the masking tape.



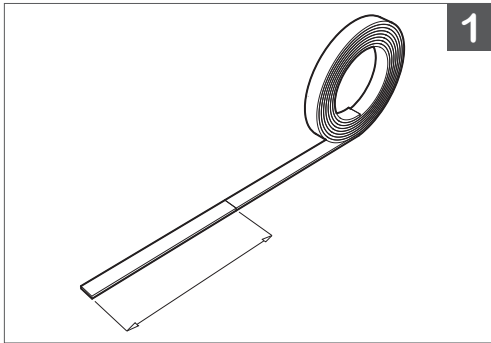


Please note that these instructions are guidelines only and in no way supersede any construction or installation standards. Local building and electrical codes should be consulted before installation.

ATTENTION

- There is potential danger of electrical shock when operating electrical components.
- Make sure power is turned off before installation.
- Allow for heat dissipation and adequate ventilation.

DOUBLE-SIDED TAPE Ideal for temporary installations

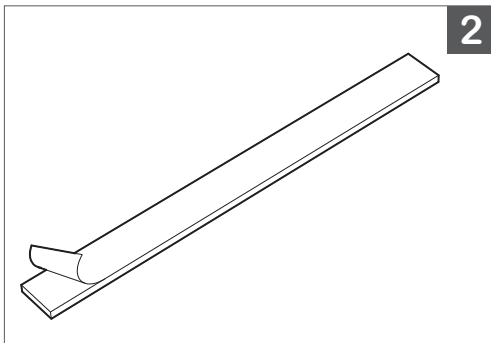


1

1.

- A. Measure and cut required length of tape.
- B. Stick tape to desired surface.

IMPORTANT: Ensure surface is clean and dry before applying tape.



2

2.

- A. Remove protective layer from tape, exposing adhesive.
- B. Center the **LED Tape** and press it firmly onto the tape.

IMPORTANT: Double-Sided Tape is not suitable for applications where **LED Tape** is to be installed in a vertical or down-facing position.

