

Dome Select Pixel ID

BL Select Neon

Diffused, Flexible, Linear LED Lighting,
24VDC, Constant Voltage
Dome Profile, Silicone, Color Chasing



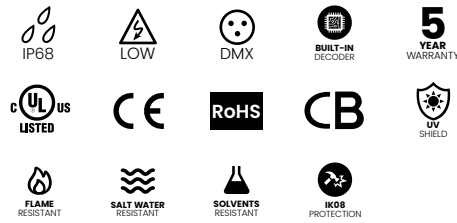
Dome Select Pixel ID is an addressable LED linear luminaire with a built-in DMX decoder, delivering precise pixel control for dynamic animation, chasing, and motion effects. Encased in durable, IP68 waterproof silicone, it supports individual RGBW pixels for vibrant color, tunable white, or mixed lighting. Ideal for facades, signage, coves, and decorative installations, it combines flexibility, performance, and durability for both indoor and outdoor applications.

Dot-free Seamless Connections Wide 270 ° Beam Angle

-40°F to 131°F (-40°C to 55°C) Color Chasing

| | |
|--------------|--|
| CLIENT | |
| PROJECT NAME | |
| LOCATION | |
| DATE | |

Product Detail



| | | |
|----------------------|-----------------------|---|
| Lighting | Lamp | LED, SMD 5050 |
| | LED's Per Foot | 17 LEDs/ft (56 LEDs/m) |
| | Beam Angle | 270° |
| | Average Life | 50,000 Hours |
| Electrical | Controls | DMX |
| | Input Voltage | 24VDC |
| | Max Input Current | 4.12A |
| | Connections | 2x18AWG + 3x24AWG Wires |
| | Power Cable Length | Standard 10ft (3m). Also available in 16ft (5m) |
| | Circuit | Class 2 |
| Mechanical | Housing Construction | Injection Moulded White Silicone |
| | Mounting | Mounting Clips, Mounting Channels |
| | Weight | 0.34lb/ft, 0.52kg/m |
| | Dimensions | W: 0.61" x H: 1.1" (W: 15.5mm x H: 28mm) |
| | Minimum Bend Radius | 1.57" (40mm) |
| Environmental | Operating Temperature | -40°F to 131°F (-40°C to 55°C) |
| | Ingress Protection | IP68 |
| | Impact Protection | IK08 |
| | Resistance | UV, Flame, Solvents, Saltwater and Dirt Resistant |
| | Certifications | cULus, CE, RoHS Compliant, CB |

Performance

| CCT/Color | | Red | Green | Blue | White (4000K) | RGBW(2700K) | RGBW(3000K) | RGBW(4000K) | RGBW(5000K) |
|-------------|--------------|-----------|-----------|-----------|---------------|-------------|-------------|-----------------|-------------|
| Power | W/FT (W/m) | | | | - | | | 4.57 (15) | |
| Lumens | lm/FT (lm/m) | 9.45 (31) | 29.6 (97) | 5.49 (18) | 74.7 (245) | | | 74.7 (245) | |
| Efficacy | lm/W | | | | - | | | 16 | |
| Increment | inch (mm) | | | | - | | | 4.92 (125) | |
| Max. Length | ft (m) | | | | - | | | 21.3 ft (6.5 m) | |

Ordering

| Product Code | Series | Color | Input Voltage | IP Rating |
|--------------|--------|-------------|---------------|-----------|
| DPXID | SEN | | 24 | IP68 |
| | | RGBW(2700K) | | |
| | | RGBW(3000K) | | |
| | | RGBW(4000K) | | |
| | | RGBW(5000K) | | |

Note:
Lengths, Lead Orientations & Mounting Accessories for BL Select Neon must be confirmed at time of order.

BL LIGHTING
ILLUMINATE EVERYTHING

111 - 8838 Heather St. Vancouver, BC, Canada. V6P 3S8
P: 1-804-874-4405 E: info@bllighting.com
Copyright © BL INNOVATIVE LIGHTING. All Rights Reserved.

Solid State Lighting is sensitive to power fluctuations. Surge protection is highly recommended for all LED lighting products and should be on a dedicated circuit to protect against premature failure. Lack of surge protection may void your warranty.

Designed & Assembled in North America.

Specifications subject to change without notice. Please refer to our website at bllighting.com for current technical data.

For more information, please download the BL LIGHTING catalog

bllighting.com



Dome Select Pixel ID

BL Select Neon

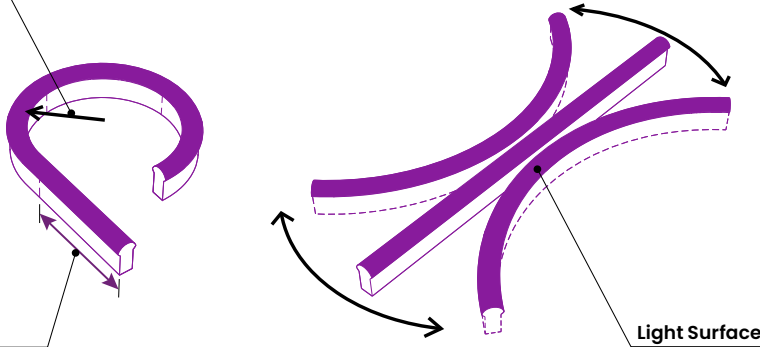
Diffused, Flexible, Linear LED Lighting,
24VDC, Constant Voltage
Dome Profile, Silicone, Color Chasing



Minimum Bend Radius and Bend Orientation

Minimum Bend Radius

1.57" (40mm)



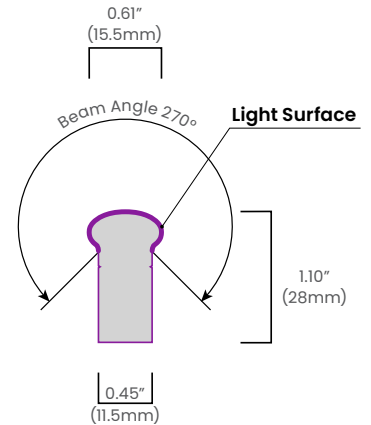
Cutting Increments

4.92" (125mm)

BL Select Neon Dome Select series bends horizontally

Vertical bend option available on BL Select Neon Side Select Series

Beam Angle

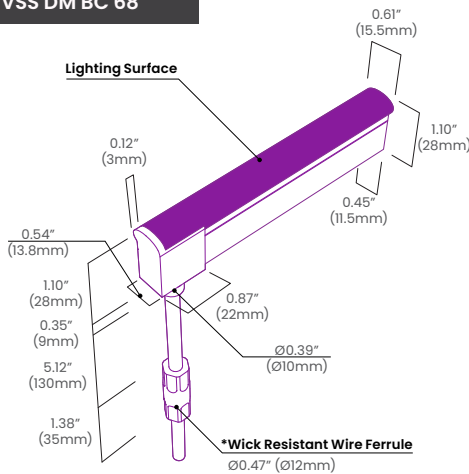


Average Beam Angle (50%): 146°

Dimensions & Lead Orientations

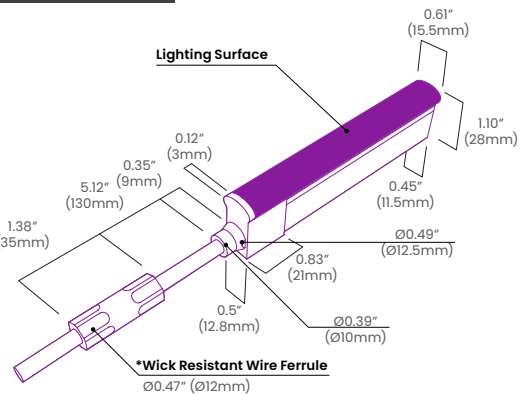
Back Lead

NVSS DM BC 68



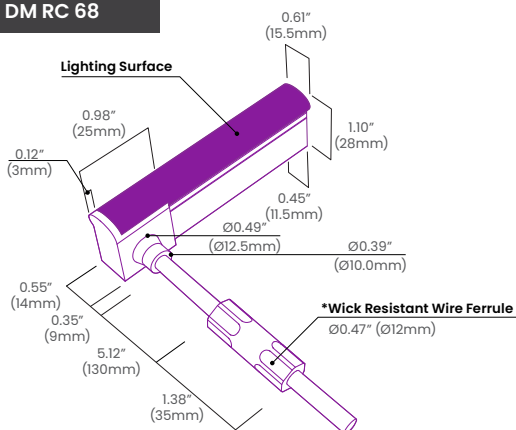
End Lead

NVSS DM EC 68

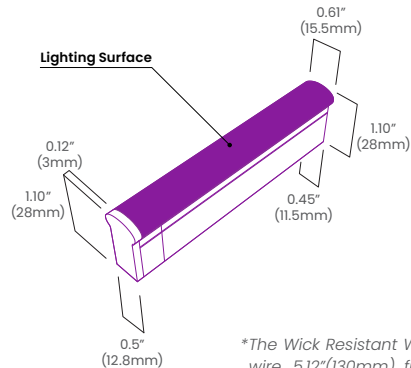


Right Side Lead

NVSS DM RC 68



End Cap



*The Wick Resistant Wire Ferrule is built into the lead wire, 5.12"(130mm) from the BL Select Neon Series Termination Connection, for additional moisture ingress protection. Removal of the Wick Resistant Wire Ferrule may void your warranty.

BL LIGHTING
ILLUMINATE EVERYTHING

111 - 8838 Heather St. Vancouver, BC, Canada. V6P 3S8
P: 1-804-874-4405 E: info@bllighting.com
Copyright © BL INNOVATIVE LIGHTING. All Rights Reserved.

Solid State Lighting is sensitive to power fluctuations. Surge protection is highly recommended for all LED lighting products and should be on a dedicated circuit to protect against premature failure. Lack of surge protection may void your warranty.

Designed & Assembled in North America.

Specifications subject to change without notice. Please refer to our website at bllighting.com for current technical data.

For more information, please download the BL LIGHTING catalog

bllighting.com

