

Dome Pixel

BL Neonview

Diffused, Flexible, Linear LED Lighting,
24VDC, Constant Voltage
Dome Profile, Silicone, Color Chasing



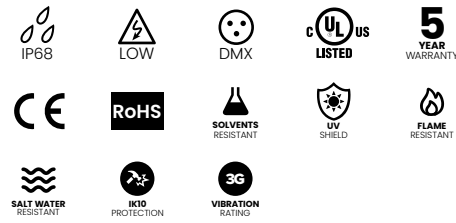
Dome Pixel has a standard fully flexible Silicone encapsulated diffuser and is rated for a range of operating temperatures from -40° F to 131° F (-40° C to 55° C) for sustained ability to weather the elements, even in the most extreme environmental conditions. Create expressive motion, chase, and pixel effects beyond RGBW color changing and fading, allowing for dynamic animations and mesmerizing lighting displays.

Dot-free Seamless connections Wide 270 ° viewing angle

-40°F to 131°F (-40°C to 55°C) Color Chasing

CLIENT	
PROJECT NAME	
LOCATION	
DATE	

Product Detail



Lighting	Lamp	LED, SMD 5050
	LED's Per Foot	17 LEDs/ft (56 LEDs/m)
	Beam Angle	160°
	Average Life	50,000 Hours
	Wavelength	Red (618-624nm), Green (522-528nm), Blue (468-474nm)
Electrical	Controls	DMX
	Input Voltage	24VDC
	Max Input Current	4.12A
	Connections	18AWG, Copper Conductors
	Power Cable Length	Standard 10ft (3m). Also available in 16ft (5m) and 32ft (10m)
Mechanical	Circuit	Class 2
	Housing Construction	Injection Moulded White Silicone
	Minimum Bend Radius	2.25" (60mm)
	Operating Temperature	-40°F to 131°F (-40°C to 55°C)
	Ingress Protection	IP68
Environmental	Impact Protection	IK10
	Vibration Rating	3G
	Resistance	UV, Flame, Solvents and Saltwater Resistant
	Certifications	cULus, CE, RoHS Compliant

Performance

CCT/Color		RGB	RGBW (2700K)	RGBW (3000K)	RGBW (4000K)
Power	W/FT (W/m)	3.66 (12)	4.57 (15)		
Lumens	lm/FT (lm/m)	52 (170)	86 (282)	86 (282)	86 (282)
Efficacy	lm/W	14	19	19	19
CRI	CRI	-	80+ (white LED only)		
Increment	inch (mm)	4.92 (125)			
Max. Length	ft (m)	24ft 6in (7.5m)	19ft 6in (5.95m)		

Ordering

Product Code	Series	Color	Input Voltage	IP Rating
DPX	N		24	IP68
		RGB		
		RGBW(2700K)		
		RGBW(3000K)		
		RGBW(4000K)		

Note:
Lengths, Lead Orientations & Mounting Accessories for Neonview must be confirmed at time of order.

BL LIGHTING ILLUMINATE EVERYTHING

111 - 8838 Heather St. Vancouver, BC, Canada. V6P 3S8
P: 1-604-874-4405 E: info@blighting.com
Copyright © BL INNOVATIVE LIGHTING. All Rights Reserved.

Solid State Lighting is sensitive to power fluctuations. Surge protection is highly recommended for all LED lighting products and should be on a dedicated circuit to protect against premature failure. Lack of surge protection may void your warranty.

Designed & Assembled in North America.

Specifications subject to change without notice. Please refer to our website at blighting.com for current technical data.

For more information, please download the BL LIGHTING catalog

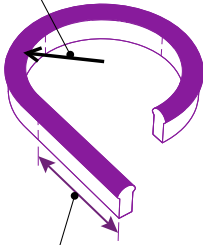
blighting.com



Minimum Bend Radius and Bend Orientation

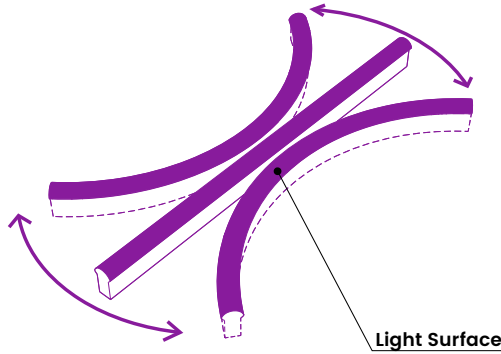
Minimum Bend Radius

2.25" (60mm)



Cutting Increments

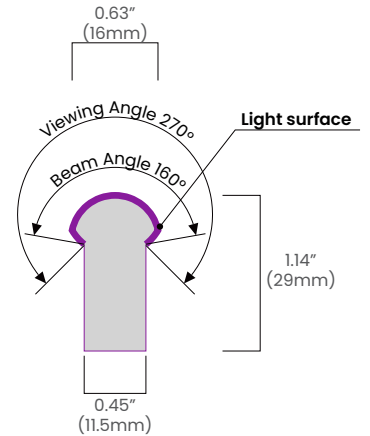
4.92" (125mm)



BL Neonview DOME bends horizontally

Vertical bend option available on BL Neonview SIDE

Beam Angle & Viewing Angle

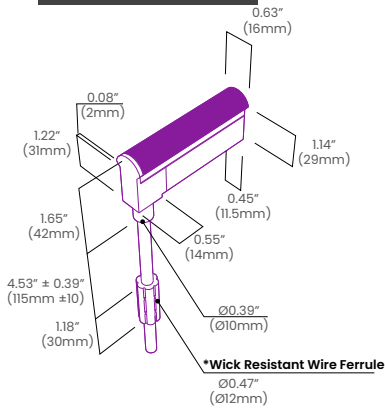


Average Beam Angle (50%): 151.1°

Dimensions & Lead Orientations

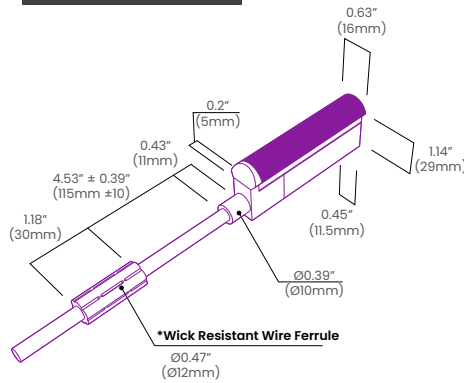
Back Lead

NVS IC DM BC 68

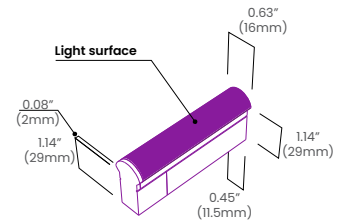


End Lead

NVS IC DM EC 68

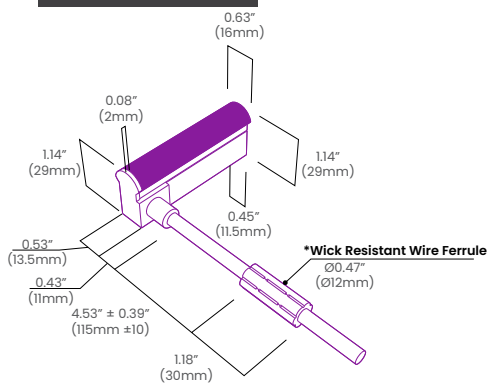


End Cap



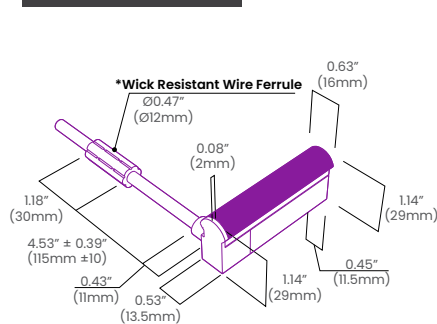
Right Side Lead

NVS IC DM RC 68



Left Side Lead

NVS IC DM LC 68



*The Wick Resistant Wire Ferrule is built into the lead wire, 4.5" (115mm) from the BL Neonview Termination Connection, for additional moisture ingress protection. Removal of the Wick Resistant Wire Ferrule may void your warranty.

