

# Dome DTW

BL Neonview

Diffused, Flexible, Linear LED Lighting,  
24VDC, Constant Voltage  
Dome Profile, Silicone, Dim-to-Warm



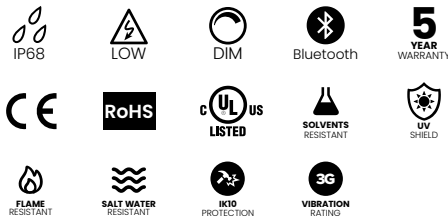
Dome DTW replicates the natural, comfortable glow of incandescent dimming, with an efficient 1800K to 3000K CCT that warms when dimmed, has a standard fully flexible Silicone encapsulated diffuser, and is rated for a range of operating temperatures from -40° F to 131° F (-40° C to 55° C) for sustained ability to weather the elements, even in the most extreme environmental conditions.

Dot-free Seamless connections Wide 270° viewing angle

-40°F to 131°F (-40°C to 55°C) DIM-TO-WARM

CLIENT	
PROJECT NAME	
LOCATION	
DATE	

## Product Detail



Lighting	Lamp	LED, SMD 3015
	LED's Per Foot	44 LEDs/ft (144 LEDs/m)
	Beam Angle	160°
	Average Life	50,000 Hours
Electrical	Controls	0-10V, MLV, ELV, Phase-Cut, Triac, DMX, Bluetooth
	Input Voltage	24VDC
	Max Input Current	4.12A (White)
	Connections	18AWG, Copper Conductors
	Power Cable Length	Standard 10ft (3m). Also available in 16ft (5m) and 32ft (10m)
Mechanical	Circuit	Class 2
	Housing Construction	Injection Moulded White Silicone
	Minimum Bend Radius	2.25" (60mm)
	Operating Temperature	-40°F to 131°F (-40°C to 55°C)
Environmental	Ingress Protection	IP68
	Impact Protection	IK10
	Vibration Rating	3G
	Resistance	UV, Flame, Solvents and Saltwater Resistant
Certifications	cULus, CE, RoHS Compliant	

## Performance

CCT/Color		1800K	3000K	1800K + 3000K
Power	W/FT (W/m)	-	-	3.66 (12)
Dimming	%	5	100	-
Lumens	lm/FT (lm/m)	1 (3)	134 (440)	-
Efficacy	lm/W	<1	37	-
CRI	CRI	-		80+
Increment	inch (mm)	3.28 (83.3)		
Max. Length	ft (m)	24ft 6in (7.5m)		

## Ordering

Product Code	Series	CCT	Input Voltage	IP Rating
DDTW	N	1800K-3000K	24	IP68

**Note:**  
Lengths, Lead Orientations & Mounting Accessories for Neonview must be confirmed at time of order.

**BL LIGHTING**  
ILLUMINATE EVERYTHING

111 - 8838 Heather St. Vancouver, BC, Canada. V6P 3S8  
P: 1-804-874-4405 E: info@bllighting.com  
Copyright © BL INNOVATIVE LIGHTING. All Rights Reserved.

Solid State Lighting is sensitive to power fluctuations. Surge protection is highly recommended for all LED lighting products and should be on a dedicated circuit to protect against premature failure. Lack of surge protection may void your warranty.

Designed & Assembled in North America.

Specifications subject to change without notice. Please refer to our website at bllighting.com for current technical data.

For more information, please download the BL LIGHTING catalog

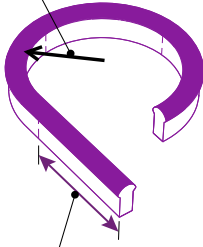
bllighting.com



## Minimum Bend Radius and Bend Orientation

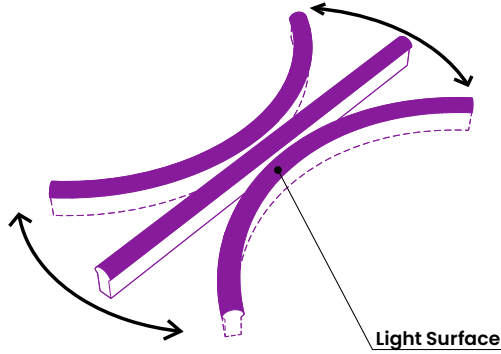
### Minimum Bend Radius

2.25" (60mm)



### Cutting Increments

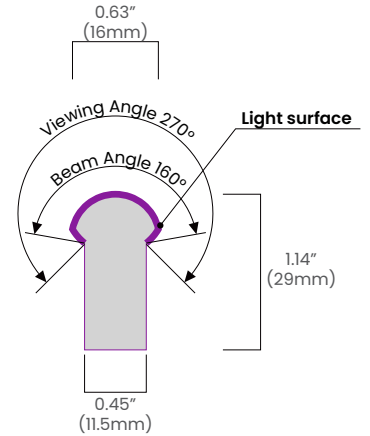
3.28" (83.3mm)



**BL Neonview DOME bends horizontally**

Vertical bend option available on BL Neonview SIDE

## Beam Angle & Viewing Angle

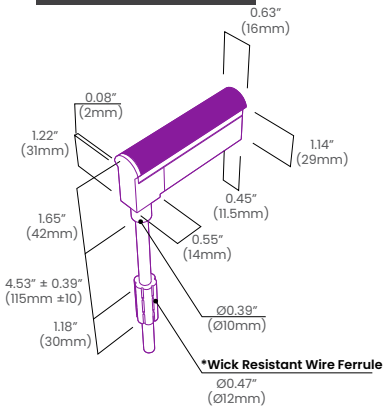


Average Beam Angle (50%): 141.9°

## Dimensions & Lead Orientations

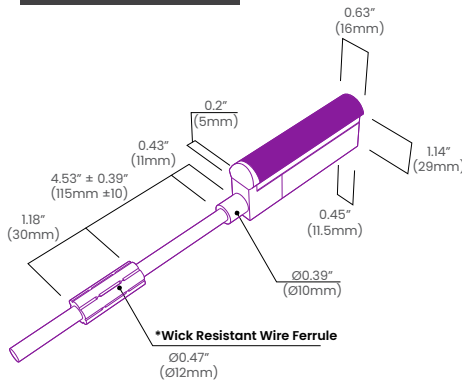
### Back Lead

**NVS DM BC 68**

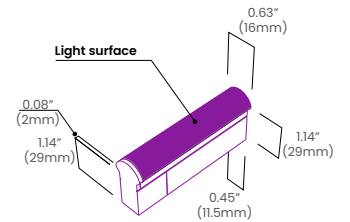


### End Lead

**NVS DM EC 68**

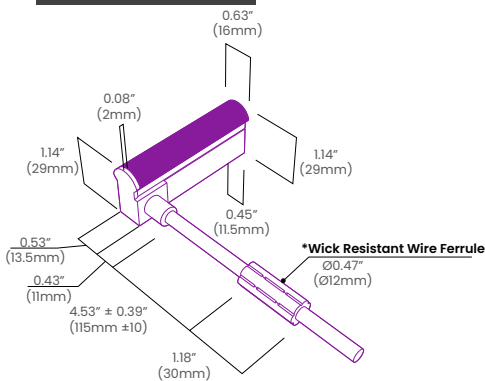


### End Cap



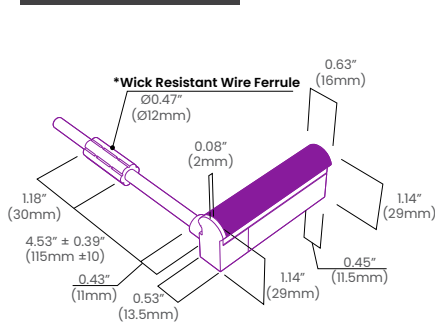
### Right Side Lead

**NVS DM RC 68**



### Left Side Lead

**NVS DM LC 68**



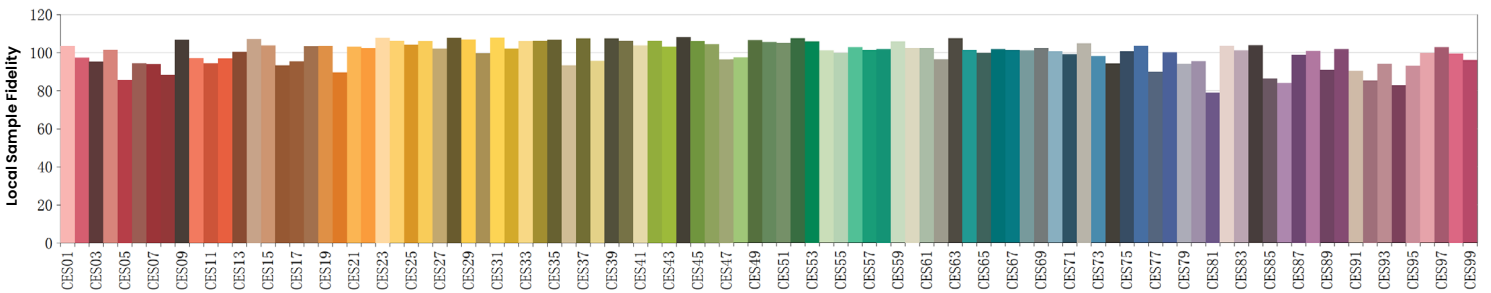
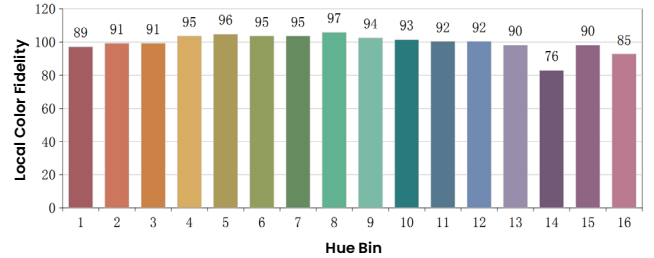
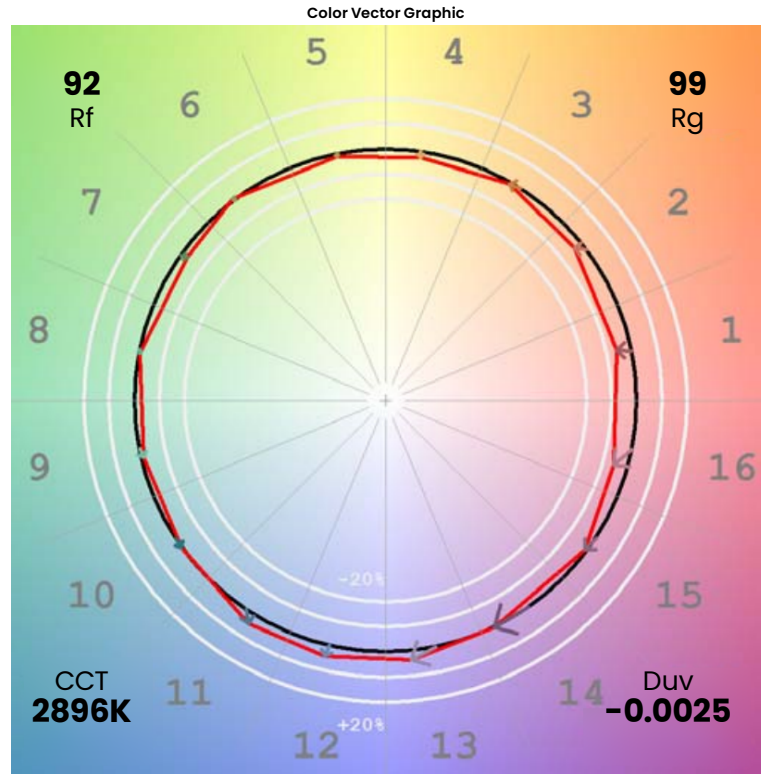
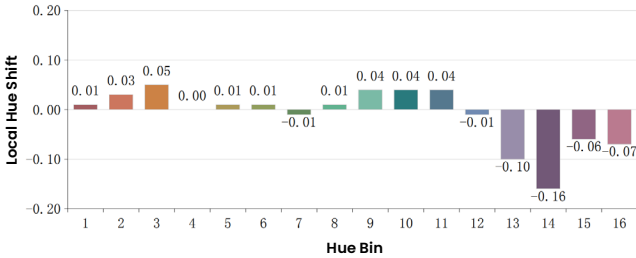
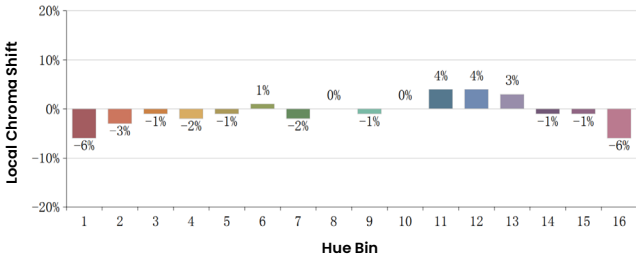
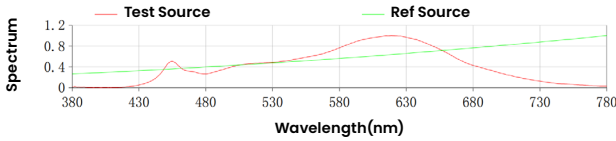
\*The Wick Resistant Wire Ferrule is built into the lead wire, 4.5" (115mm) from the BL Neonview Termination Connection, for additional moisture ingress protection. Removal of the Wick Resistant Wire Ferrule may void your warranty.



## Colorimetric Details (3000K LED)

CCT	CRI	Rf	Rg
3000K	92	92	99

Rf: 92      CCT: 2896K      u': 0.2552  
Rg: 99      Duv: -0.0025      v': 0.5200



\*All results in accordance with ANSI C78.377 standard

