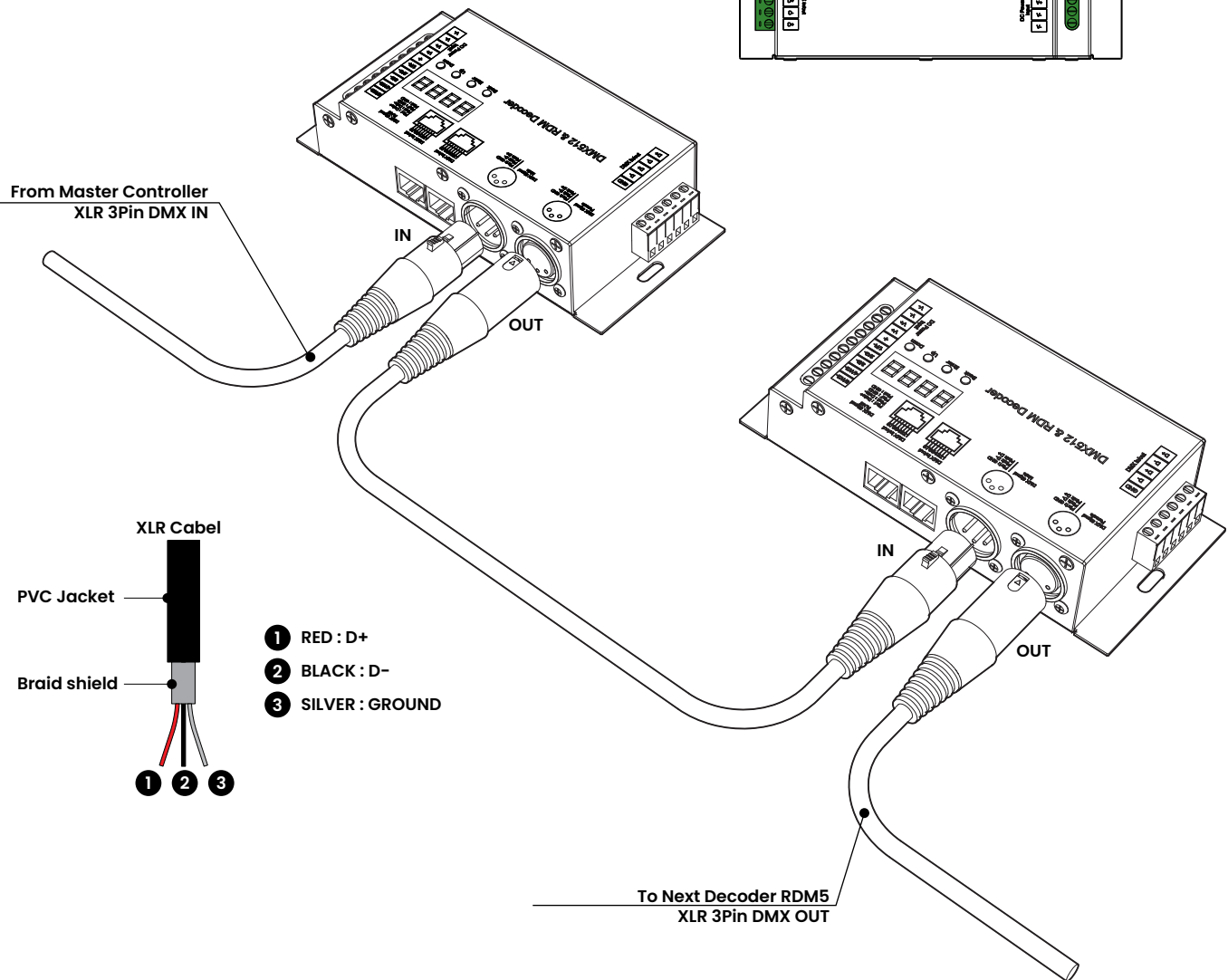
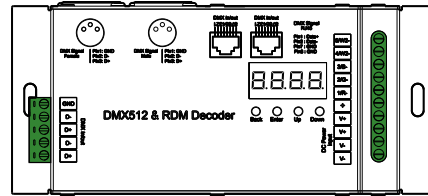
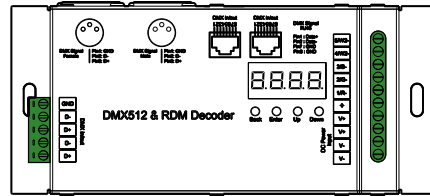


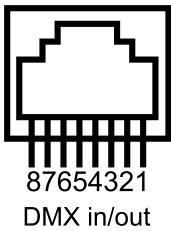
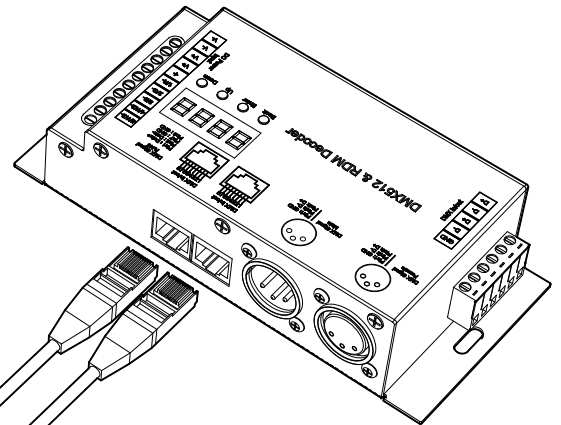
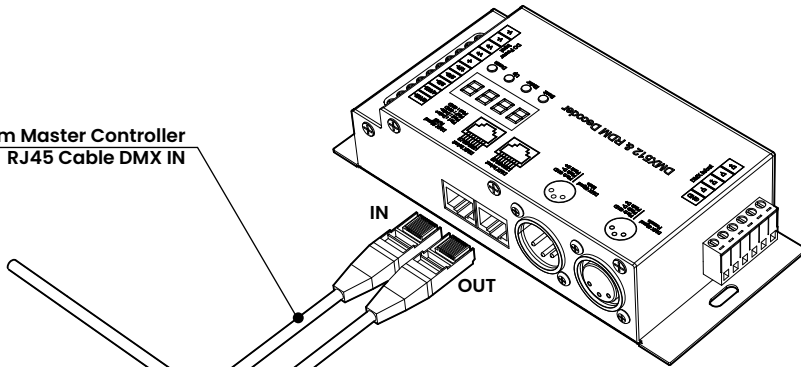
**DMX SIGNAL
XLR Cable**



D DMX SIGNAL
RJ45 Cable



From Master Controller
RJ45 Cable DMX IN



Pin1 : Data+
Pin2 : Data-
Pin7 : GND
Pin8 : GND

To Next Decoder RDM5
RJ45 Cable DMX OUT

