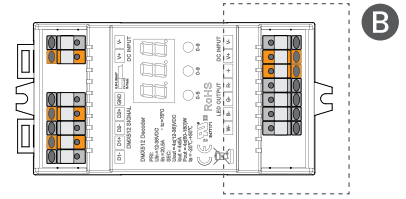
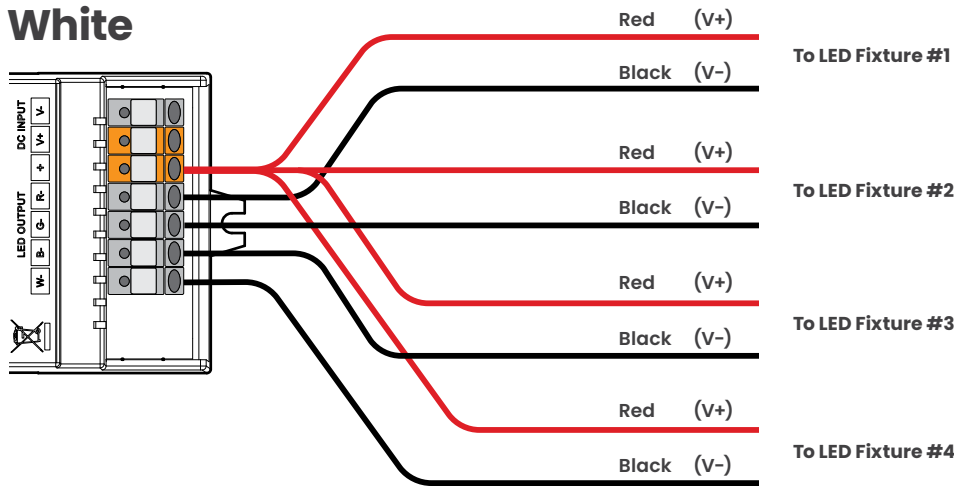


*Last RDM decoder needs a Resistor.

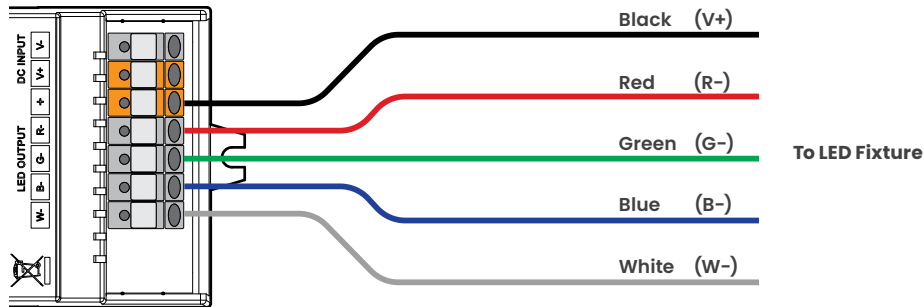
**The wire colors shown in this diagram are based on BL LIGHTING LED fixtures. Please verify the actual wire colors of your specific fixtures to ensure correct connection.*



White



RGBW



Tunable



**The wire colors shown in this diagram are based on BL LIGHTING LED fixtures. Please verify the actual wire colors of your specific fixtures to ensure correct connection.*

