

Cbox O3 2x100W

BL Power

Fully Assembled Power Box
Dual Circuit, 2x100W, 24VDC, CV, Non-Dimmable



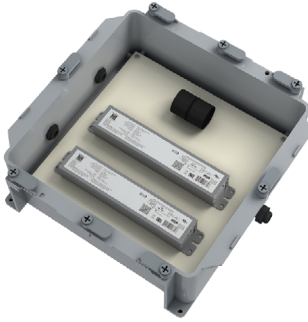
The Cbox are completely integrated, highly-customizable, fully cULus Listed Class 2 power and control boxes rated for Dry and Wet Locations. All Cbox enclosures arrive to site assembled and ready for quick wiring and install. All required components included. The O3 are configurable non-dimming power boxes. Integrate up to 200W through multiple Class 2 circuits.

Quick Ship

Wet Location

CLIENT	
PROJECT NAME	
LOCATION	
DATE	

Product Detail



Electrical

Input Voltage	120-277VAC
Input Frequency	50-60 Hz
Max Input Current	0.93A
Output Voltage	24VDC, Constant Voltage
Power	2 x 100W
Min. Power Draw	2 x 10W
Dimming	N/A
Max. Output Current	2 x 4.1A
Connections	18 AWG, Copper Conductors
Start-up Time	<1000ms
Protection	Cat. C3 Surge Location (10kA/10kV)
Surge Current Rating	20,000A, 8/20 μSec Wave
Rating (2mS)	540 Joules
Max. Clamping Voltage	925V
Ambient Temperature	-40°F to 124°F (-40°C to 51°C)
Max. Case Temperature	188°F (86.9°C)
Circuit	Class 2
Average Life	50,000 hours

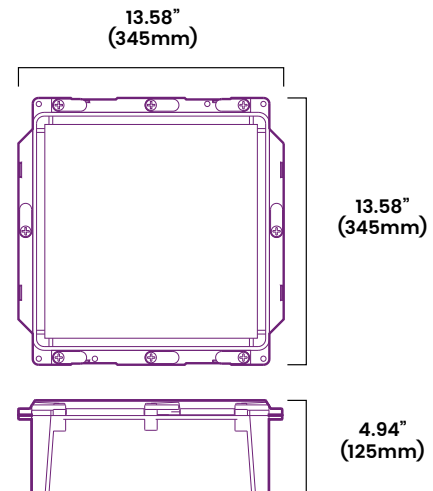
Mechanical

Housing Construction	PVC (enclosure)
Weight	12.5lbs (5.67kg)
Environmental	IP66

Ordering

Product Code	Series	Power	Output	Input Voltage	IP Rating
CBO3ST	P	2x100W	24	UNI	IP66

Dimensions



BL LIGHTING ILLUMINATE EVERYTHING

111 - 8838 Heather St. Vancouver, BC, Canada. V6P 3S8
P: 1-604-874-4405 E: info@blighting.com
Copyright © BL INNOVATIVE LIGHTING. All Rights Reserved.

Solid State Lighting is sensitive to power fluctuations. Surge protection is highly recommended for all LED lighting products and should be on a dedicated circuit to protect against premature failure. Lack of surge protection may void your warranty.

Designed & Assembled in North America.

Specifications subject to change without notice. Please refer to our website at blighting.com for current technical data.

For more information, please download the BL LIGHTING catalog

blighting.com

