

# Cbox J5 60W

BL Power

Fully Assembled Power Box  
Single Circuit, 60W, 24VDC, CV, Non-Dimming



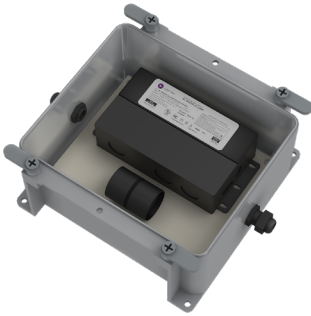
The Cbox are completely integrated, highly-customizable, fully cULus Listed Class 2 power and control boxes rated for Dry and Wet Locations. All Cbox enclosures arrive to site assembled and ready for quick wiring and install. All required components included. The Cbox J5 are non-dimming power boxes.

Quick Ship

Wet Location

CLIENT	
PROJECT NAME	
LOCATION	
DATE	

## Product Detail

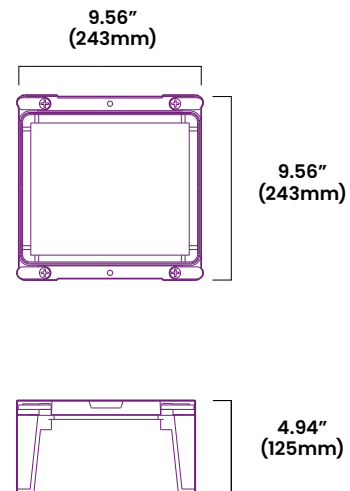


<b>Electrical</b>	Input Voltage	100-277VAC
	Input Frequency	47-63 Hz
	Max Input Current	0.9A
	Output Voltage	24VDC, Constant Voltage
	Power	60W
	Min. Power Draw	0W
	Dimming	Non-dimmable
	Max. Output Current	2.5A
	Connections	16 AWG, Copper Conductors
	Power Factor	0.95 - 0.99
	Protection	Cat. C3 Surge Location (10kA/10kV)
	Surge Current Rating	20,000A, 8/20 μSec Wave
	Rating (2mS)	540 Joules
	Max. Clamping Voltage	925V
Ambient Temperature	-40°F to 124°F (-40°C to 51°C)	
Max. Case Temperature	140°F (60°C)	
Circuit	Class 2	
<b>Mechanical</b>	Housing Construction	PVC (enclosure)
	Weight	7.5lbs (3.40kg)
	Environmental	IP66

## Ordering

Product Code	Series	Power	Output	Input Voltage	IP Rating
CBJ5ST	P	60W	24	UNI	IP66

## Dimensions



### BL LIGHTING ILLUMINATE EVERYTHING

111 - 8838 Heather St. Vancouver, BC, Canada. V6P 3S8  
P: 1-604-874-4405 E: info@bllighting.com  
Copyright © BL INNOVATIVE LIGHTING. All Rights Reserved.

Solid State Lighting is sensitive to power fluctuations. Surge protection is highly recommended for all LED lighting products and should be on a dedicated circuit to protect against premature failure. Lack of surge protection may void your warranty.

Designed & Assembled in North America.

Specifications subject to change without notice. Please refer to our website at bllighting.com for current technical data.

For more information, please download the BL LIGHTING catalog

[bllighting.com](http://bllighting.com)

