

# Cbox AE 010V 2x100W

BL Power

Fully Assembled Control + Power Boxes  
Dual Circuit, 2 x 100W, 24VDC, CV, 0-10V

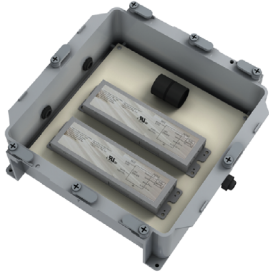


The Cbox AE 010V are completely integrated, highly-customizable, fully cULus Listed Class 2 power and control boxes rated for Dry and Wet Locations. All Cbox enclosures arrive to site assembled and ready for quick wiring and install. All required components included. Integrate up to 200W through multiple Class 2 circuits.

CLIENT	
PROJECT NAME	
LOCATION	
DATE	

## Quick Installation

## Product Detail

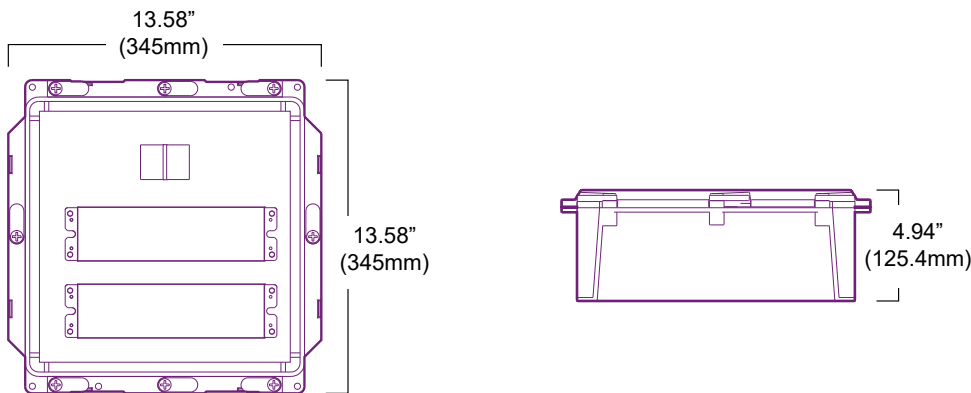


<b>Electrical</b>	Controls	0-10V
	Input Voltage	120V - 277VAC
	Input Frequency	50/60Hz
	Max Input Current	(x2) 120VAC - 0.98A, 277VAC - 0.42A
	Output Voltage	(x2) 24VDC, 4.1A, Constant Voltage
	Load	(x2) 100W
	Connections	18AWG, Copper Conductors
	Min Load	20% - 25%
	Power Factor	0.9
<b>Mechanical</b>	Circuit	Class 2
	Housing Construction	PVC, High Temperature Flame-Proof Plastic
	Assembly	PVC Enclosure, (x2) LED Driver, Carbon Steel Back-Plate, Surge Protector, Strain Relief (Set), Electrical Connectors (Set)
<b>Environmental</b>	Operating Temperature	-4°F to 104°F (-20°C to 40°C)
	Ingress Protection	IP66, NEMA 1, 2, 3R, 4, 4X, 6, 6P, 12, 13
	Certifications	UL2108, UL 1598/CSA, 250.0, UL 8750, CSA 250.13

## Ordering

Product Code	Series	Power	Output	Input Voltage	IP Rating
CBAE10	P	2x100W	24	UNI	IP66

## Dimensions



\* Stainless steel and composite mounting options are also available.

### BL LIGHTING ILLUMINATE EVERYTHING

111 - 8838 Heather St. Vancouver, BC, Canada. V6P 3S8  
P: 1-604-874-4405 E: info@blighting.com  
Copyright © BL INNOVATIVE LIGHTING. All Rights Reserved.

Solid State Lighting is sensitive to power fluctuations. Surge protection is highly recommended for all LED lighting products and should be on a dedicated circuit to protect against premature failure. Lack of surge protection may void your warranty.

Designed & Assembled in North America.

Specifications subject to change without notice. Please refer to our website at blighting.com for current technical data.

For more information, please download the BL LIGHTING catalog

blighting.com

