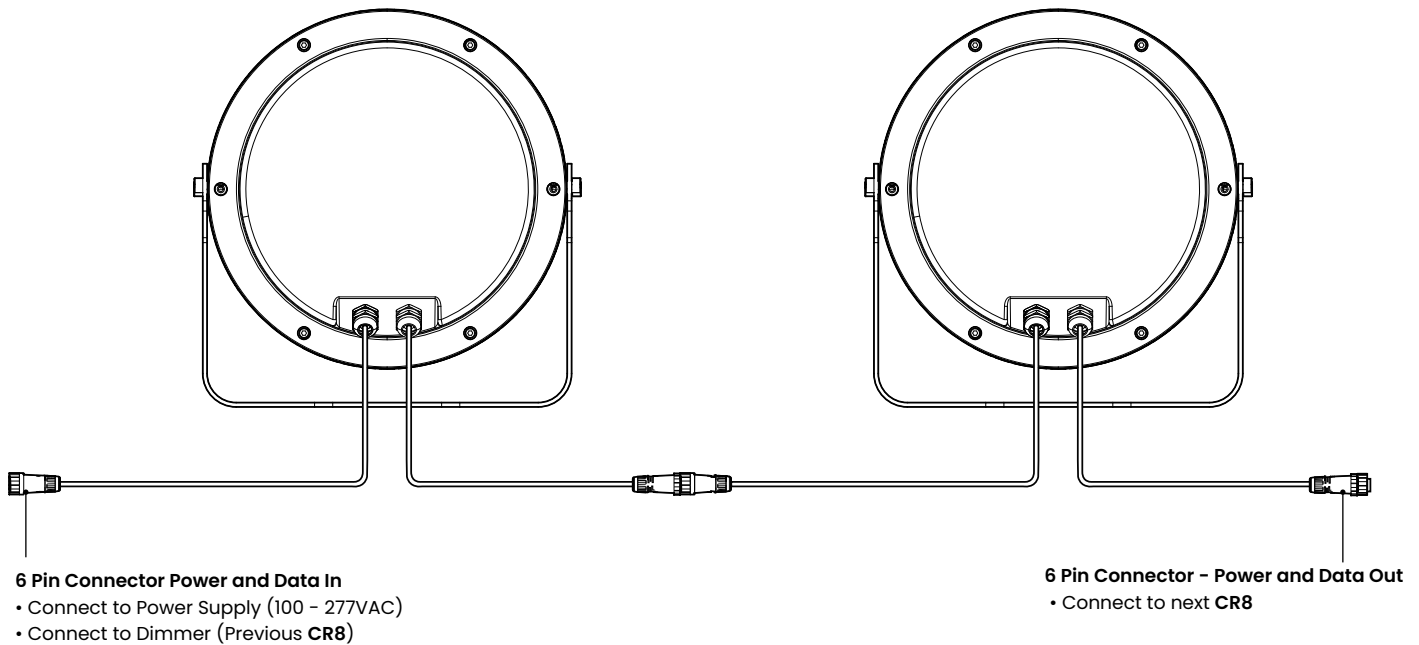


**CONNECTIONS**  
Power and Data 6 Pins



Control	0-10V	DALI
Max. Series (Units)	100	64
Power	120V	240V
Max. Series (Units)	13	29

**POWER and DATA CABLE**

6 Pin Power and Data Connector

- Black** : Line
- Green** : Ground
- White** : Neutral
- Purple** : DIM +
- Pink** : DIM -
- Yellow** : NC  
(No Connection)

