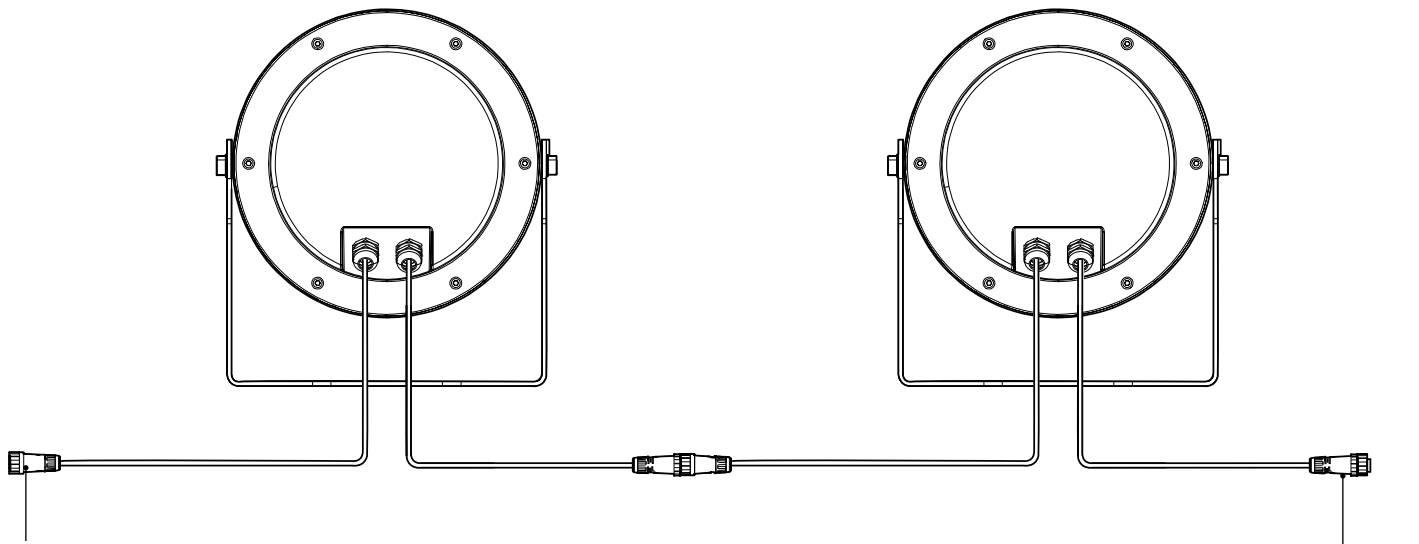


CONNECTIONS

Power and DMX 6 Pins



6 Pin Connector Power and Data In

- Connect to Power Supply (100 - 277VAC)
- Connect to Dimmer (Previous CR5 RGBW)

6 Pin Connector - Power and Data Out

- Connect to next CR5 RGBW

Control	DMX: 32	
Max. Series (Units)		
Power	120V	240V
Max. Series (Units)	30	55

POWER and DATA CABLE

6 Pin Power and Data Connector

- Black** : Live
- Green** : Power Ground
- White** : Neutral
- Purple** : DMX +
- Pink** : DMX -
- Yellow** : NC
(No Connection)

