

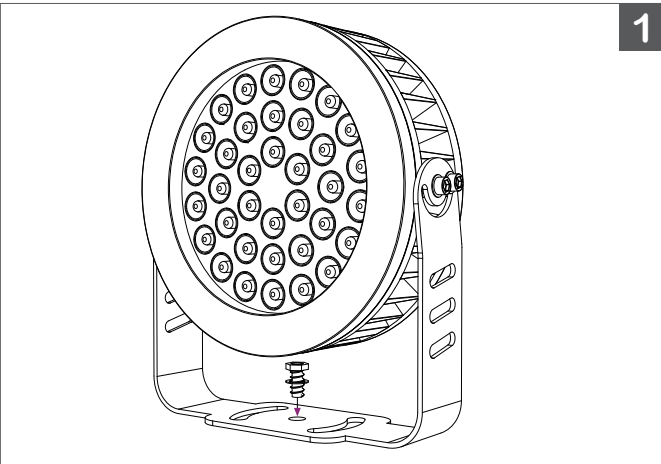


Please note that these instructions are guidelines only and in no way supersede any construction or installation standards. Local building and electrical codes should be consulted before installation.

ATTENTION

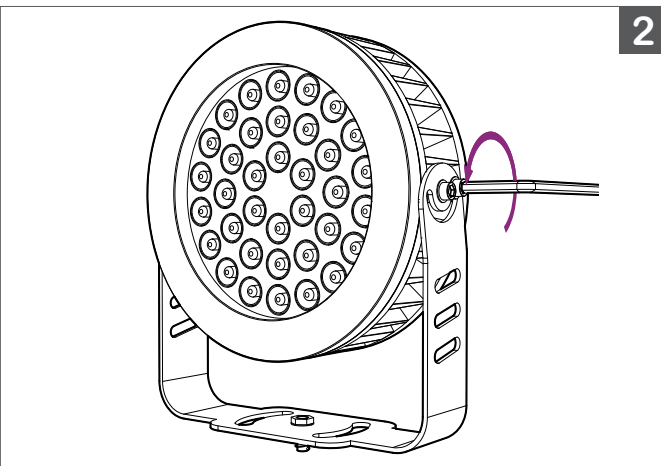
- There is potential danger of electrical shock when operating electrical components.
- Make sure power is turned off before installation.
- Allow for heat dissipation and adequate ventilation.

SURFACE MOUNT
Mountable base with 180° Adjustable Bracket



1.

- A. Position **CR197** at desired location of install.
- B. Fasten mounting bracket with bolts through mounting holes.



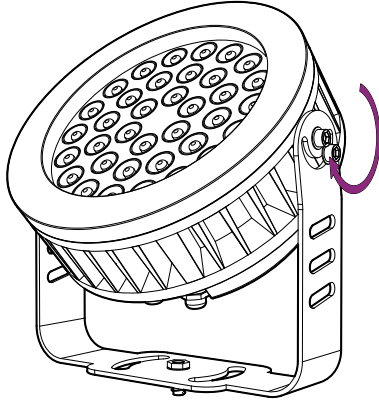
2.

Loosen screws with Hex Key.



SURFACE MOUNT
Mountable base with 180° Adjustable Bracket

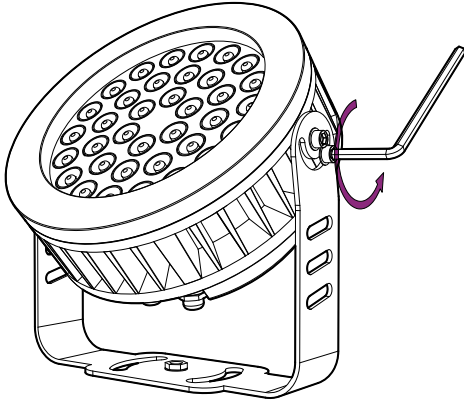
3



3.

Tilt **CR197** at desired angle.

4



4.

Re-Tighten with Hex Key.

