

CH2212

BL Fixform

Indoor Surface Mount Aluminium Extrusion
Designed for use with **BL Flexform** Series



BL Fixform SF Channel is a rigid aluminium extrusion that can be used alone as a linear surface mounting track for BL Flexform Series, or combine with BL Fixform surface mount optics to create virtually infinite lines of cohesive light, with a variety of lumen packages. Lightweight 6ft lengths may be cut to fit in the field, retrofit BL Fixform SF Channel easily to existing construction, affixing to surface using metal clips.

Quick Ship

CLIENT	
PROJECT NAME	
LOCATION	
DATE	

Product Detail

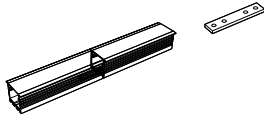


Mechanical	Housing Construction	Aluminum Surface Mount Extrusion. Unit Includes Base Track & Clips
	Stock Length	6ft (1.83m)
	Minimum Cut Length	Based on BL Flexform Increments
Components	CH-2212-E	Aluminum Base Track
	CP-2212-E	Steel Surface Mounting Clips
	TC180-E	Multi-Track Connector, Flat 180°
	TCX90-E	Multi-Track Connector, In/Out 90°
Environmental	Ingress Protection	IP20
	Certifications	cULus

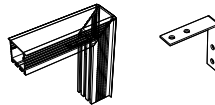


Connector Options

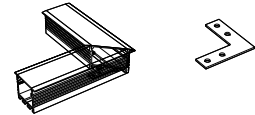
TC180-E
Multi-Track Connector, Flat 180°



TCX90-E
Multi-Track Connector, In/Out 90°



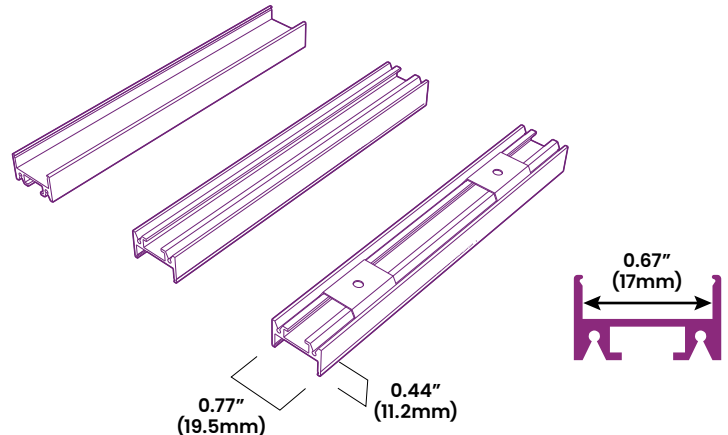
TCF90-E
Multi-Track Connector, Flat 90°



Ordering

Product Code
CH2212-E-AL-IP20

Dimensions



Custom channel colors are available, please consult BL Lighting for more information.

BL LIGHTING ILLUMINATE EVERYTHING

111 - 8838 Heather St. Vancouver, BC, Canada. V6P 3S8
P: 1-804-874-4405 E: info@blighting.com
Copyright © BL INNOVATIVE LIGHTING. All Rights Reserved.

Solid State Lighting is sensitive to power fluctuations. Surge protection is highly recommended for all LED lighting products and should be on a dedicated circuit to protect against premature failure. Lack of surge protection may void your warranty.

Designed & Assembled in North America.

Specifications subject to change without notice. Please refer to our website at blighting.com for current technical data.

For more information, please download the BL LIGHTING catalog

blighting.com

