

# Bright Side V5

BL Neonview

Diffused, Flexible, Linear LED Lighting,  
24VDC, Constant Voltage, Vertical Bend,  
Bright Side Profile, Silicone, Single Color



Where high light levels are essential, Bright Side V5 is the solution, with a wider profile lens delivering over 549 lm/ft of uniform, dot-free illumination. The unique vertical bending direction curves across the flat light surface and is perfect for circles, contours and side-emitting light. The flexible, square shaped Silicone encapsulated diffuser shines a vivid line of light with a 120° beam distribution and is rated for a range of operating temperatures from -40° F to 113° F (-40°C to 45°C) and IP68 wet location rated injection molded terminations for sustained ability to weather the elements, even in the most extreme environmental conditions.

**Dot-free Seamless connections -40°F to 113°F (-40°C to 45°C)**

<b>CLIENT</b>	
<b>PROJECT NAME</b>	
<b>LOCATION</b>	
<b>DATE</b>	

## Product Detail



<b>Lighting</b>	Lamp	LED, SMD 2835
	LED's Per Foot	44 LEDs/ft (144 LEDs/m)
	Beam Angle	120°
	Average Life	50,000 Hours
<b>Electrical</b>	Controls	0-10V, MLV, ELV, Phase-Cut, Triac, DMX, Bluetooth
	Input Voltage	24VDC
	Max Input Current	4.12A (White)
	Connections	18AWG, Copper Conductors
	Power Cable Length	Standard 10ft (3m). Also available in 16ft (5m) and 32ft (10m)
<b>Mechanical</b>	Circuit	Class 2
	Housing Construction	Injection Moulded White Silicone
	Minimum Bend Radius	7.87" (200mm)
<b>Environmental</b>	Operating Temperature	-40°F to 113°F (-40°C to 45°C)
	Ingress Protection	IP68
	Impact Protection	IK10
	Vibration Rating	3G
	Resistance	UV, Flame, Solvents and Saltwater Resistant
Certifications	cULus, CE, RoHS Compliant	



## Performance

CCT/Color		2200K	2700K	3000K	3500K	4000K	5700K
<b>Power</b>	W/FT (W/m)	5.03 (16.5)					
<b>Lumens</b>	lm/FT (lm/m)	457 (1500)	549 (1800)	549 (1800)	549 (1800)	549 (1800)	549 (1800)
<b>Efficacy</b>	lm/W	91	109	109	109	109	109
<b>CRI</b>	CRI	80					
<b>Increment</b>	inch (mm)	2.19 (55.6)					
<b>Max. Length</b>	ft (m)	17ft 6in (5.33m)					

## Ordering

Product Code	Series	CCT	Input Voltage	IP Rating
BV5	N		24	IP68
		2200K		
		2700K		
		3000K		
		3500K		
		4000K		
		5700K		

**Note:**  
Lengths, Lead Orientations & Mounting Accessories for Neonview must be confirmed at time of order.

**BL LIGHTING**  
ILLUMINATE EVERYTHING

111 - 8838 Heather St. Vancouver, BC, Canada. V6P 3S8  
P: 1-804-874-4405 E: info@bllighting.com  
Copyright © BL INNOVATIVE LIGHTING. All Rights Reserved.

Solid State Lighting is sensitive to power fluctuations. Surge protection is highly recommended for all LED lighting products and should be on a dedicated circuit to protect against premature failure. Lack of surge protection may void your warranty.

Designed & Assembled in North America.

Specifications subject to change without notice. Please refer to our website at bllighting.com for current technical data.

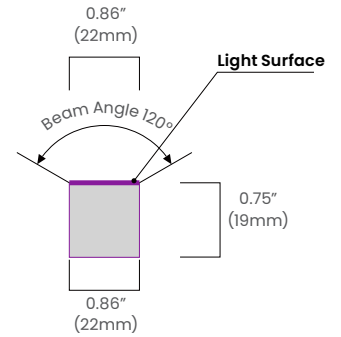
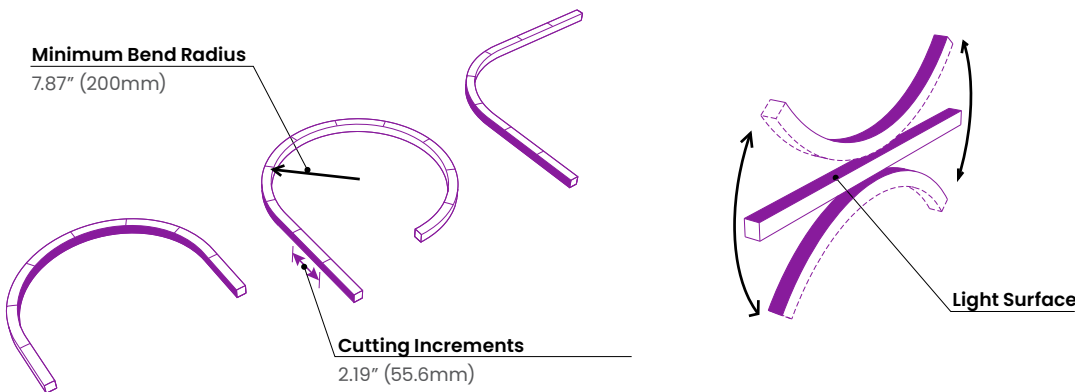
For more information, please download the BL LIGHTING catalog

bllighting.com



## Minimum Bend Radius and Bend Orientation

## Beam Angle & Viewing Angle



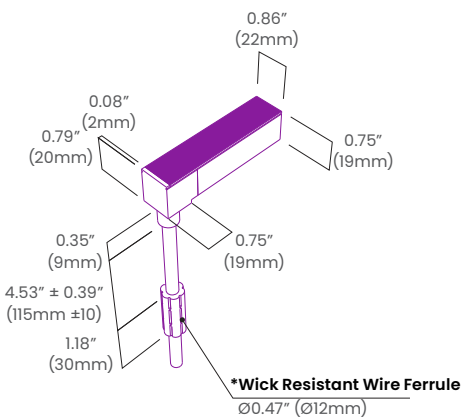
**BL Neonview Bright Side V Series bends vertically**  
Horizontal bend option also available (H Series)

Average Beam Angle (50%): 111.2°

## Dimensions & Lead Orientations

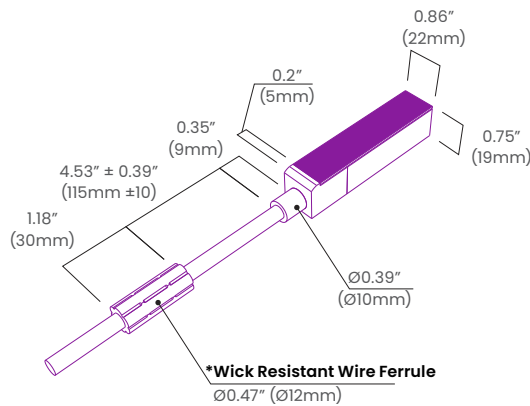
### Back Lead

NVS BRSL BC 68

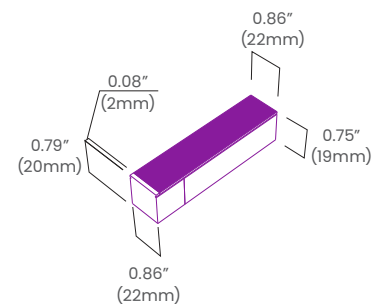


### End Lead

NVS BRSL EC 68

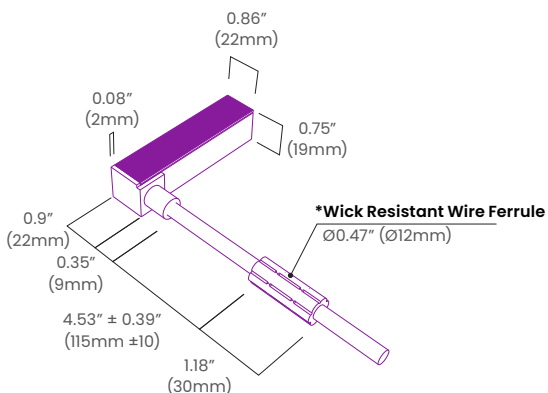


### End Cap



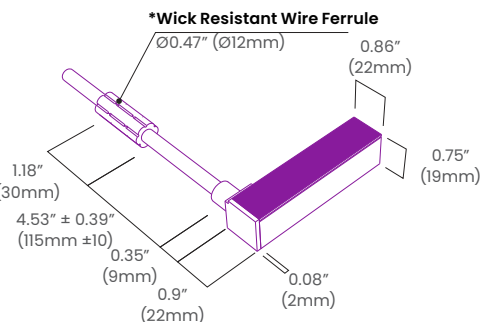
### Right Side Lead

NVS BRSL RC 68



### Left Side Lead

NVS BRSL LC 68



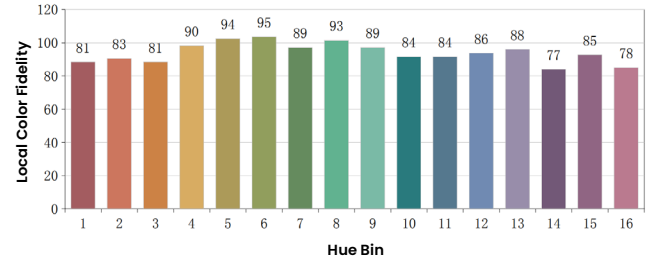
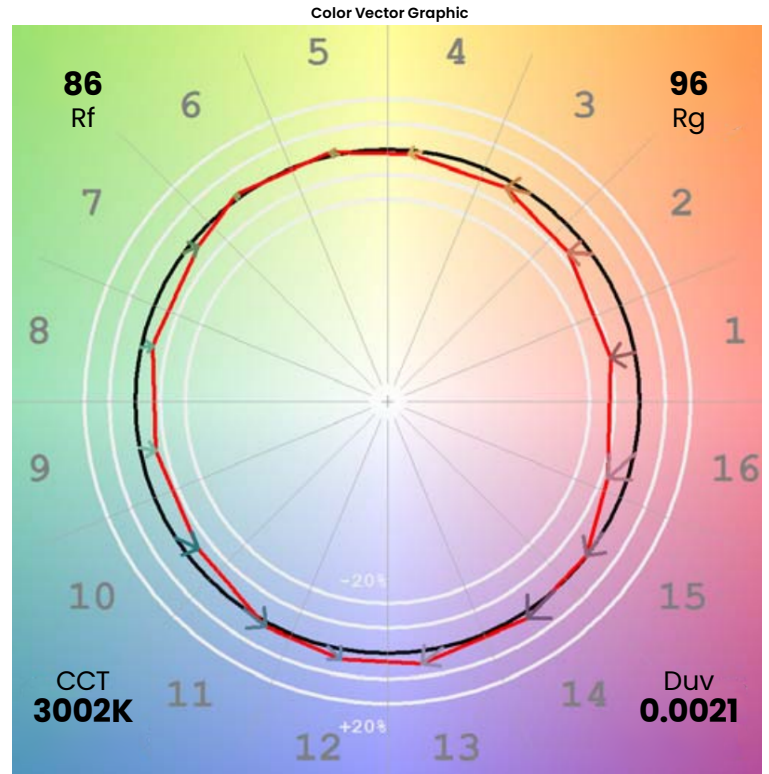
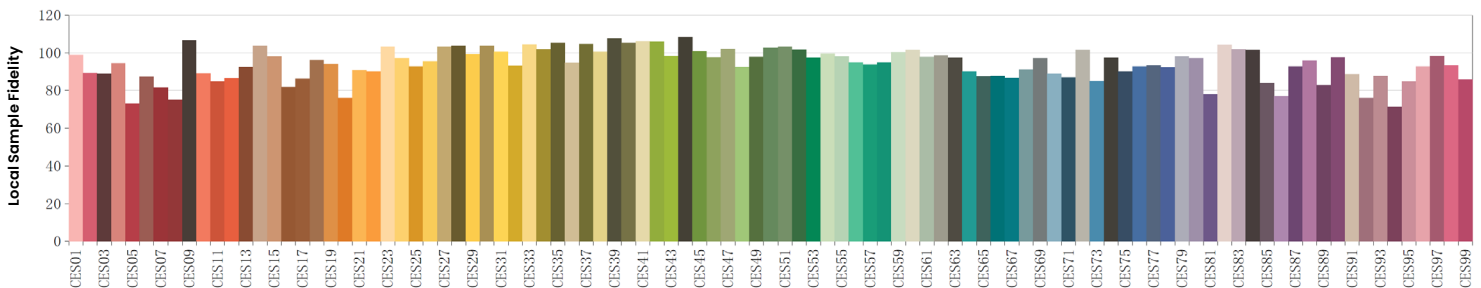
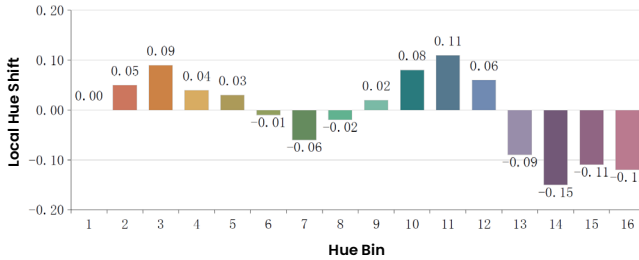
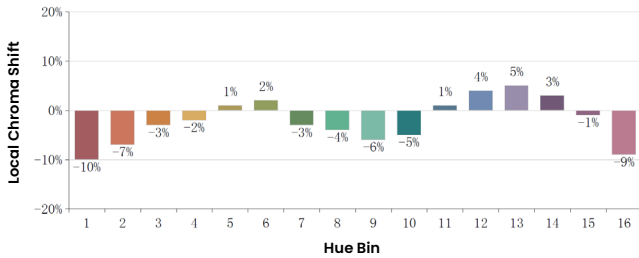
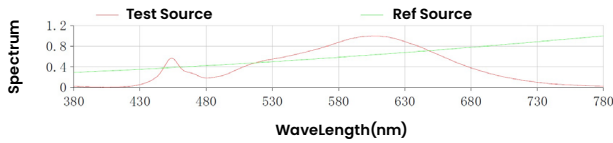
\*The Wick Resistant Wire Ferrule is built into the lead wire, 4.5" (115mm) from the BL Neonview Termination Connection, for additional moisture ingress protection. Removal of the Wick Resistant Wire Ferrule may void your warranty.



## Colorimetric Details

CCT	CRI	Rf	Rg
3000K	85	86	96

Rf: 86      CCT: 3002K      u': 0.2498  
Rg: 96      Duv: 0.0021      v': 0.5242



\*All results in accordance with ANSI C78.377 standard

