

# Bright Side V RGBW

BL Neonview

Diffused, Flexible, Linear LED Lighting,  
24VDC, Constant Voltage, Vertical Bend,  
Bright Side Profile, Silicone, Color Changing



Where color changing effects are essential, Bright Side V RGBW is the solution, with a wider profile lens delivering over 191 lm/ft of uniform, dot-free illumination. The unique vertical bending direction curves across the flat light surface and is perfect for circles, contours and side-emitting light. The flexible, square shaped Silicone encapsulated diffuser shines a vivid line of light with a 120° beam distribution and is rated for a range of operating temperatures from -40° F to 113° F (-40° C to 45° C) and IP68 wet location rated injection molded terminations for sustained ability to weather the elements.

|              |  |
|--------------|--|
| CLIENT       |  |
| PROJECT NAME |  |
| LOCATION     |  |
| DATE         |  |

Dot-free Seamless connections -40°F to 113°F (-40°C to 45°C) Color Changing

## Product Detail



|               |                       |  |
|---------------|-----------------------|--|
| Lighting      | Lamp                  | LED, SMD 5050  |
|               | LED's Per Foot        | 26 LEDs/ft (84 LEDs/m)   |
|               | Beam Angle            | 120°   |
|               | Average Life          | 50,000 Hours   |
| Electrical    | Controls              | DMX, Bluetooth   |
|               | Input Voltage         | 24VDC  |
|               | Max Input Current     | 4.12A  |
|               | Connections           | 20AWG, Copper Conductors                                       |
| Mechanical    | Power Cable Length    | Standard 10ft (3m). Also available in 16ft (5m) and 32ft (10m) |
|               | Circuit               | Class 2  |
|               | Housing Construction  | Injection Moulded White Silicone                               |
|               | Minimum Bend Radius   | 5.9" (150mm)   |
|               | Operating Temperature | -40°F to 113°F (-40°C to 45°C)                                 |
|               | Ingress Protection    | IP68   |
| Environmental | Impact Protection     | IK10   |
|               | Vibration Rating      | 3G   |
|               | Resistance            | UV, Flame, Solvents and Saltwater Resistant                    |
|               | Certifications        | cULus, CE, RoHS Compliant                                      |



## Performance

| CCT/Color   |              | RGB             | RGBW (2700K)        | RGBW (3000K) | RGBW (4000K) |
|-------------|--------------|-----------------|---------------------|--------------|--------------|
| Power       | W/FT (W/m)   | 3.66 (12)       | 4.57 (15)           |              |              |
| Lumens      | lm/FT (lm/m) | 125 (410)       | 191 (626)           | 191 (626)    | 191 (626)    |
| Efficacy    | lm/W         | 34              | 42                  | 42           | 42           |
| CRI         | CRI          | -               | 80 (white LED only) |              |              |
| Increment   | inch (mm)    | 3.28 (83.3)     |                     |              |              |
| Max. Length | ft (m)       | 24ft 6in (7.5m) | 19ft 6in (5.95m)    |              |              |

## Ordering

| Product Code | Series | Color  | Input Voltage | IP Rating |
|--------------|--------|--|---------------|-----------|
| BVC          | N      | RGB<br>RGBW(2700K)<br>RGBW(3000K)<br>RGBW(4000K) | 24            | IP68      |

**Note:**  
Lengths, Lead Orientations & Mounting Accessories for Neonview must be confirmed at time of order.

**BL LIGHTING**  
ILLUMINATE EVERYTHING

111 - 8838 Heather St. Vancouver, BC, Canada. V6P 3S8  
P: 1-804-874-4405 E: info@bllighting.com  
Copyright © BL INNOVATIVE LIGHTING. All Rights Reserved.

Solid State Lighting is sensitive to power fluctuations. Surge protection is highly recommended for all LED lighting products and should be on a dedicated circuit to protect against premature failure. Lack of surge protection may void your warranty.

Designed & Assembled in North America.

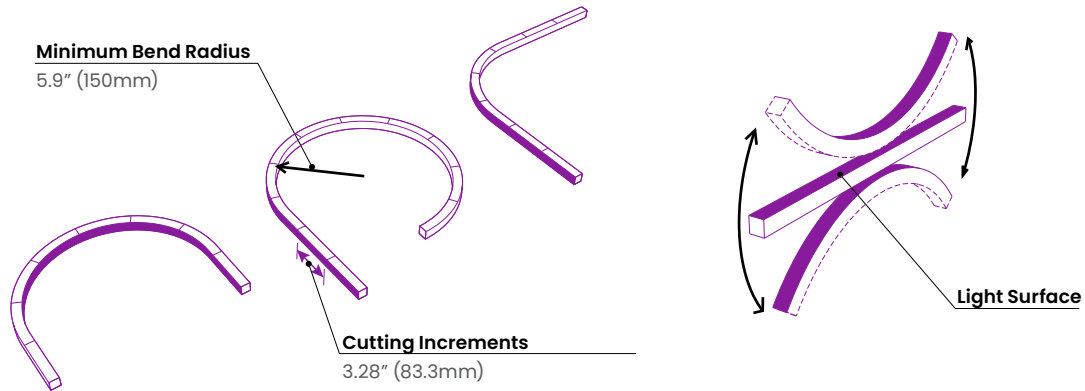
Specifications subject to change without notice. Please refer to our website at [bllighting.com](http://bllighting.com) for current technical data.

For more information, please download the BL LIGHTING catalog

[bllighting.com](http://bllighting.com)



## Minimum Bend Radius and Bend Orientation

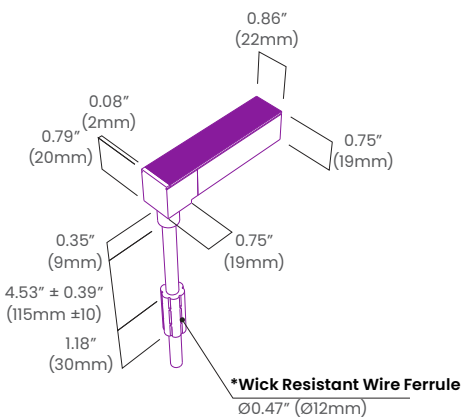


**BL Neonview Bright Side V Series bends vertically**  
Horizontal bend option also available (H Series)

## Dimensions & Lead Orientations

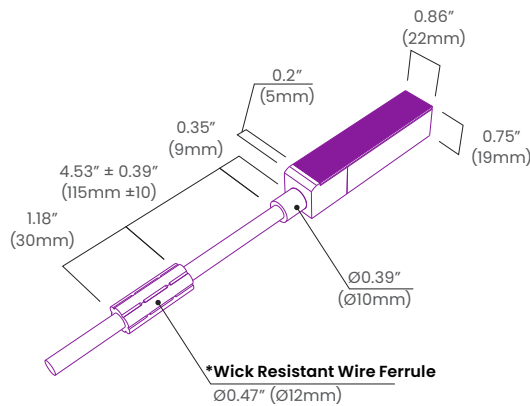
### Back Lead

NVS RGBW BRSL BC 68

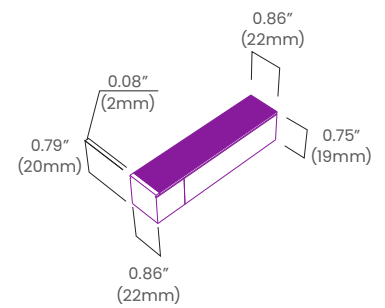


### End Lead

NVS RGBW BRSL EC 68

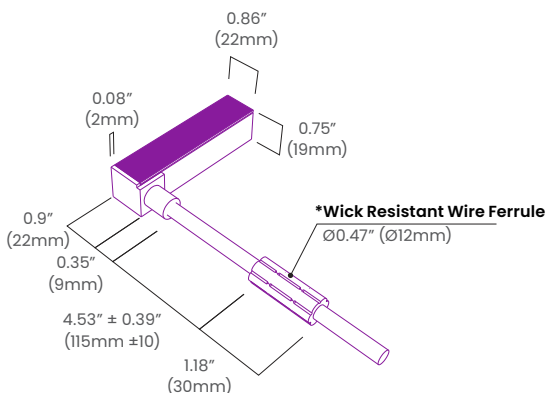


### End Cap



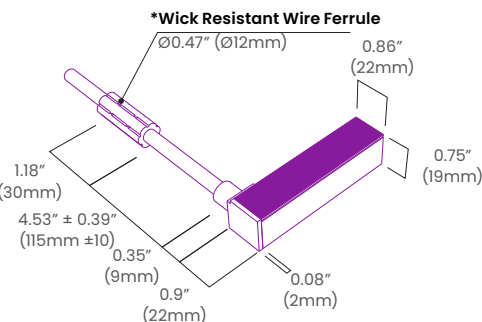
### Right Side Lead

NVS RGBW BRSL RC 68



### Left Side Lead

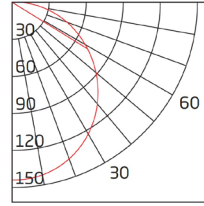
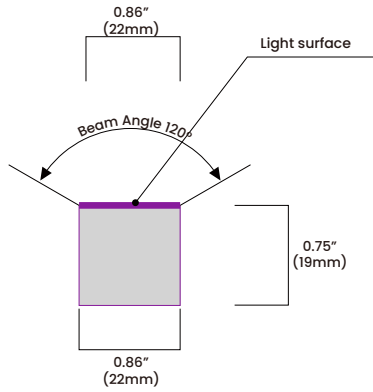
NVS RGBW BRSL LC 68



\*The Wick Resistant Wire Ferrule is built into the lead wire, 4.5" (115mm) from the BL Neonview Termination Connection, for additional moisture ingress protection. Removal of the Wick Resistant Wire Ferrule may void your warranty.



## Beam Angle



Unit: cd  
— C90/270

Average Beam Angle (50%): 112°

