

Bright Side V Pixel

BL Neonview

Diffused, Flexible, Linear LED Lighting,
24VDC, Constant Voltage, Vertical Bend,
Bright Side Profile, Silicone, Color Chasing

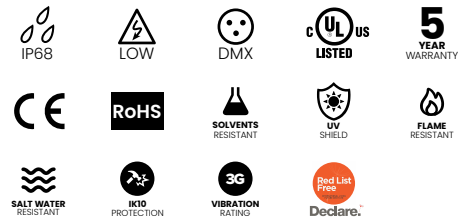


Create expressive motion, chase, and pixel effects beyond RGBW color changing and fading, allowing for dynamic animations and mesmerizing lighting displays. The Bright Side V Pixel has a wider profile lens that delivers up to 268 lm/ft of uniform, dot-free illumination. The unique vertical bending direction curves across the flat light surface and is ideal for building outlines, facades, signage and exterior architectural accents.

CLIENT	
PROJECT NAME	
LOCATION	
DATE	

Dot-free Seamless connections -40°F to 113°F (-40°C to 45°C) Color Chasing

Product Detail



Lighting	Lamp	LED, SMD 5050
	LED's Per Foot	26 LEDs/ft (84 LEDs/m)
	Beam Angle	120°
	Average Life	50,000 Hours
Electrical	Wavelength	Red (618-624nm), Green (522-528nm), Blue (468-474nm)
	Controls	DMX
	Input Voltage	24VDC
	Max Input Current	4.12A
	Connections	18AWG, Copper Conductors
Mechanical	Power Cable Length	Standard 10ft (3m). Also available in 16ft (5m) and 32ft (10m)
	Circuit	Class 2
	Housing Construction	Injection Moulded White Silicone
	Minimum Bend Radius	5.9" (150mm)
Environmental	Operating Temperature	-40°F to 113°F (-40°C to 45°C)
	Ingress Protection	IP68
	Impact Protection	IK10
	Vibration Rating	3G
	Resistance	UV, Flame, Solvents and Saltwater Resistant
Certifications	cULus, CE, RoHS Compliant	

Performance

CCT/Color		RGB	RGBW (2700K)	RGBW (3000K)	RGBW (4000K)
Power	W/FT (W/m)	5.03 (16.5)	6.70 (22)		
Lumens	lm/FT (lm/m)	163 (535)	268 (879)	268 (879)	268 (879)
Efficacy	lm/W	32	40	40	40
CRI	CRI	-	80 (white LED only)		
Increment	inch (mm)	3.28 (83.3)			
Max. Length	ft (m)	17ft 6in (5.33m)	13ft 3in (4.04m)		

Ordering

Product Code	Series	Color	Input Voltage	IP Rating
BVPX	N		24	IP68
		RGB		
		RGBW(2700K)		
		RGBW(3000K)		
		RGBW(4000K)		

Note:
Lengths, Lead Orientations & Mounting Accessories for Neonview must be confirmed at time of order.

BL LIGHTING
ILLUMINATE EVERYTHING

111 - 8838 Heather St. Vancouver, BC, Canada. V6P 3S8
P: 1-804-874-4405 E: info@bllighting.com
Copyright © BL INNOVATIVE LIGHTING. All Rights Reserved.

Solid State Lighting is sensitive to power fluctuations. Surge protection is highly recommended for all LED lighting products and should be on a dedicated circuit to protect against premature failure. Lack of surge protection may void your warranty.

Designed & Assembled in North America.

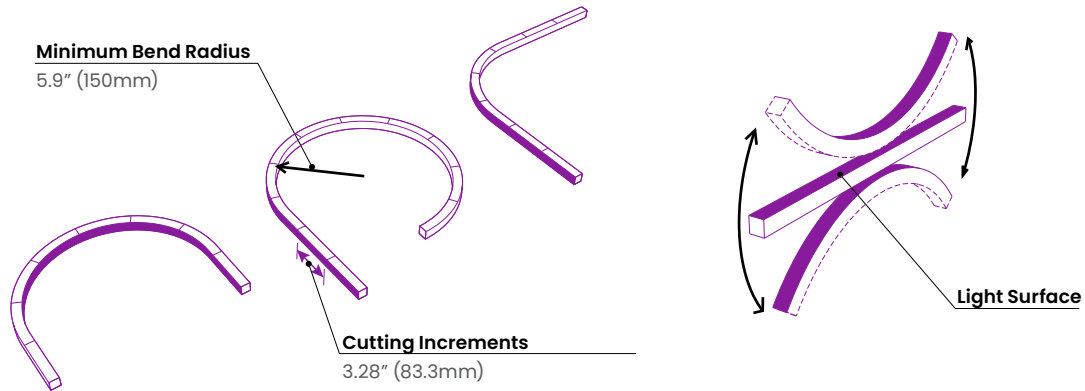
Specifications subject to change without notice. Please refer to our website at bllighting.com for current technical data.

For more information, please download the BL LIGHTING catalog

bllighting.com



Minimum Bend Radius and Bend Orientation

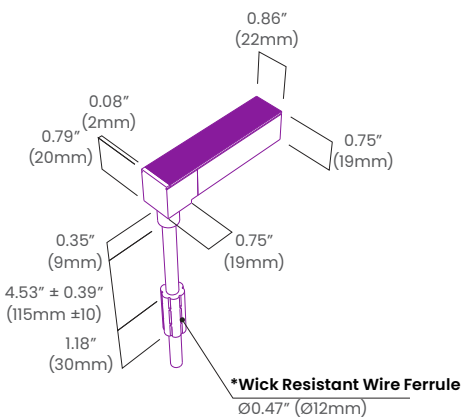


BL Neonview Bright Side V Series bends vertically
Horizontal bend option also available (H Series)

Dimensions & Lead Orientations

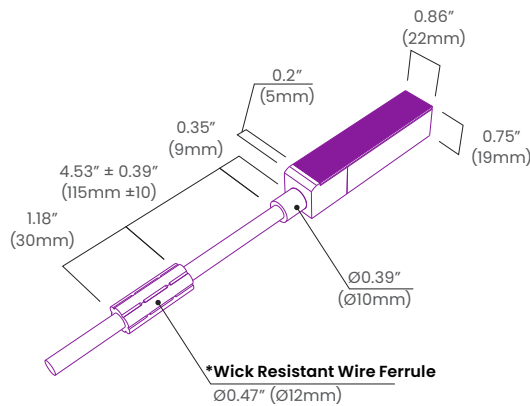
Back Lead

NVS IC BRSL BC 68

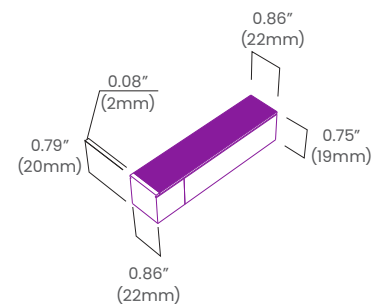


End Lead

NVS IC BRSL EC 68

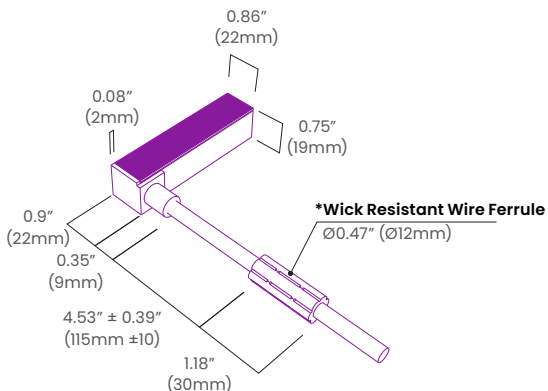


End Cap



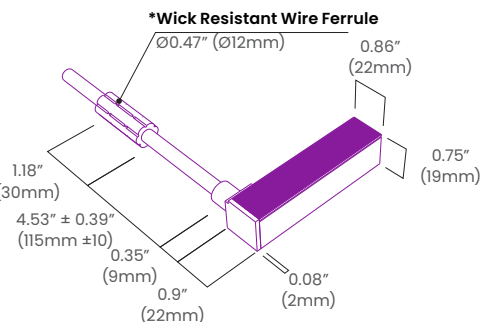
Right Side Lead

NVS IC BRSL RC 68



Left Side Lead

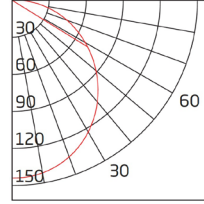
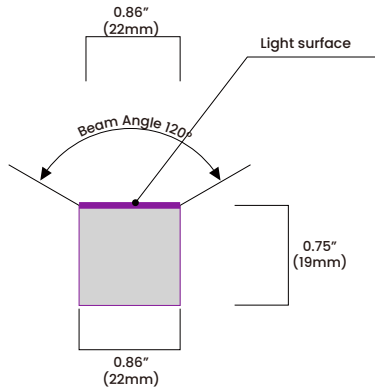
NVS IC BRSL LC 68



*The Wick Resistant Wire Ferrule is built into the lead wire, 4.5" (115mm) from the BL Neonview Termination Connection, for additional moisture ingress protection. Removal of the Wick Resistant Wire Ferrule may void your warranty.



Beam Angle



Unit: cd
— C90/270

Average Beam Angle (50%): 113.2°

