

Bright Side H5

BL Neonview

Diffused, Flexible, Linear LED Lighting,
24VDC, Constant Voltage, Horizontal Bend,
Bright Side Profile, Silicone, Single Color

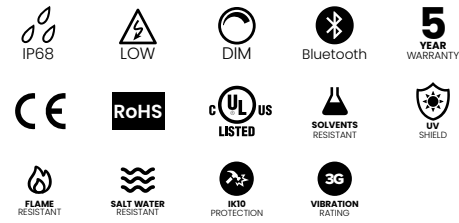


Bright Side H5 with a wider profile lens delivers over 457 lm/ft of dot-free illumination. The flexible, square shaped Silicone encapsulated diffuser bends horizontally alongside the light surface, and shines a vivid line of light with a uniform 120° beam distribution. Rated for a range of operating temperatures from -40° F to 113° F (-40° C to 45° C) and built with seamless IP68 wet location rated injection molded terminations for excellent weatherability in even in the most extreme environmental conditions. Ideal for building outlines, facades, signage and exterior architectural accents.

Dot-free Seamless connections -40°F to 113°F (-40°C to 45°C)

CLIENT	
PROJECT NAME	
LOCATION	
DATE	

Product Detail



Lighting	Lamp	LED, SMD 2835
	LED's Per Foot	44 LEDs/ft (144 LEDs/m)
	Beam Angle	120°
	Average Life	50,000 Hours
Electrical	Controls	0-10V, MLV, ELV, Phase-Cut, Triac, DMX, Bluetooth
	Input Voltage	24VDC
	Max Input Current	4.12A (White)
	Connections	18AWG, Copper Conductors
	Power Cable Length	Standard 10ft (3m). Also available in 16ft (5m) and 32ft (10m)
Mechanical	Circuit	Class 2
	Housing Construction	Injection Moulded White Silicone
	Minimum Bend Radius	7.87" (200mm)
	Operating Temperature	-40°F to 113°F (-40°C to 45°C)
Environmental	Ingress Protection	IP68
	Impact Protection	IK10
	Vibration Rating	3G
	Resistance	UV, Flame, Solvents and Saltwater Resistant
Certifications		cULus, CE, RoHS Compliant

Performance

CCT/Color		2200K	2700K	3000K	3500K	4000K	5700K
Power	W/FT (W/m)	5.03 (16.5)					
Lumens	lm/FT (lm/m)	366 (1200)	457 (1500)	457 (1500)	457 (1500)	457 (1500)	457 (1500)
Efficacy	lm/W	73	91	91	91	91	91
CRI	CRI	80					
Increment	inch (mm)	2.19 (55.6)					
Max. Length	ft (m)	17ft 6in (5.33m)					

Ordering

Product Code	Series	CCT	Input Voltage	IP Rating
BH5	N		24	IP68
		2200K		
		2700K		
		3000K		
		3500K		
		4000K		
		5700K		

Note:
Lengths, Lead Orientations & Mounting Accessories for Neonview must be confirmed at time of order.

BL LIGHTING
ILLUMINATE EVERYTHING

111 - 8838 Heather St. Vancouver, BC, Canada. V6P 3S8
P: 1-804-874-4405 E: info@bllighting.com
Copyright © BL INNOVATIVE LIGHTING. All Rights Reserved.

Solid State Lighting is sensitive to power fluctuations. Surge protection is highly recommended for all LED lighting products and should be on a dedicated circuit to protect against premature failure. Lack of surge protection may void your warranty.

Designed & Assembled in North America.

Specifications subject to change without notice. Please refer to our website at bllighting.com for current technical data.

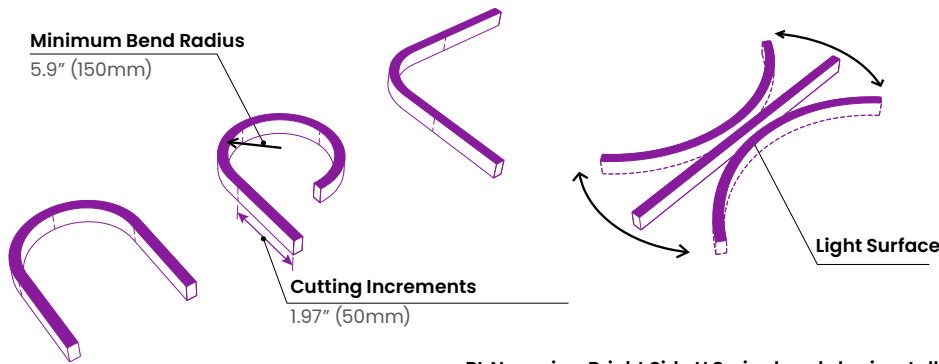
For more information, please download the BL LIGHTING catalog

bllighting.com

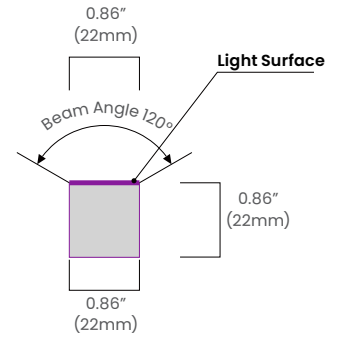


Minimum Bend Radius and Bend Orientation

Beam Angle & Viewing Angle



BL Neonview Bright Side H Series bends horizontally
Vertical bend option also available (V Series)

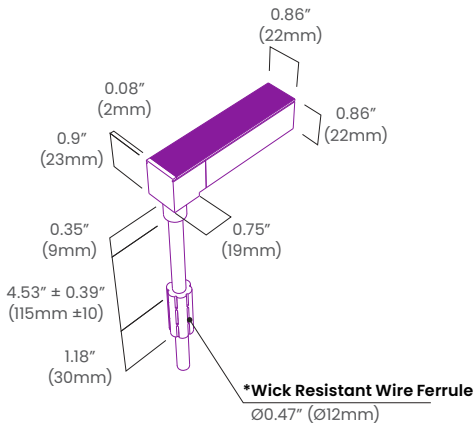


Average Beam Angle (50%): 113.6°

Dimensions & Lead Orientations

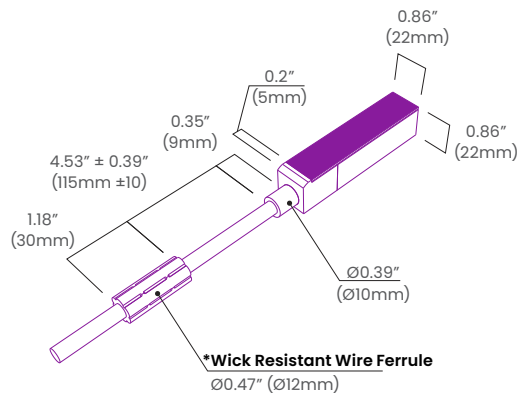
Back Lead

NVS BRSL BC 68

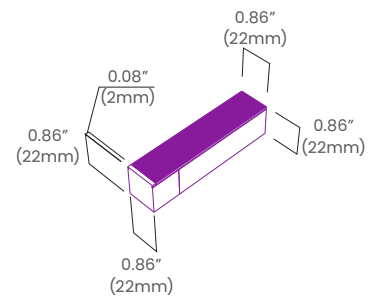


End Lead

NVS BRSL EC 68

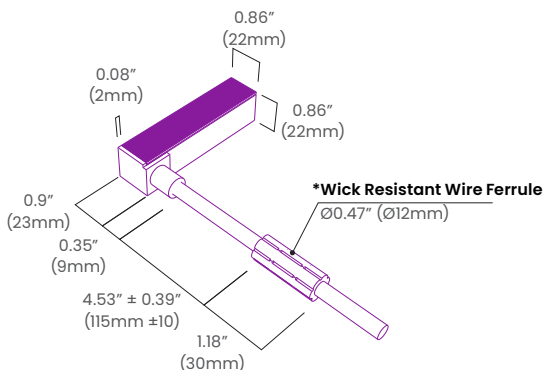


End Cap



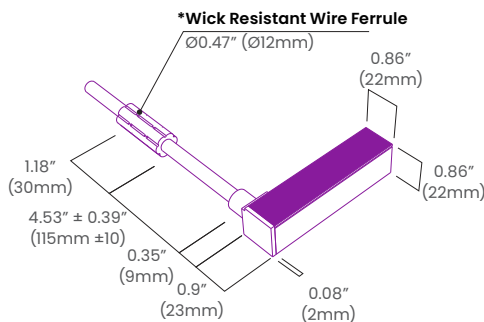
Right Side Lead

NVS BRSL RC 68



Left Side Lead

NVS BRSL LC 68



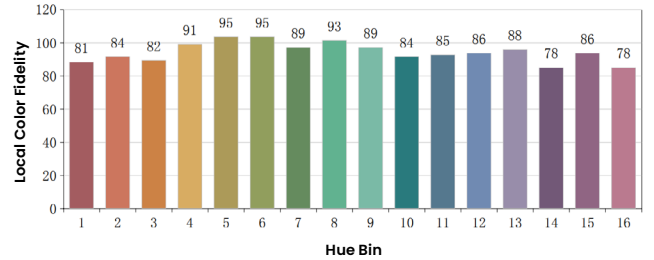
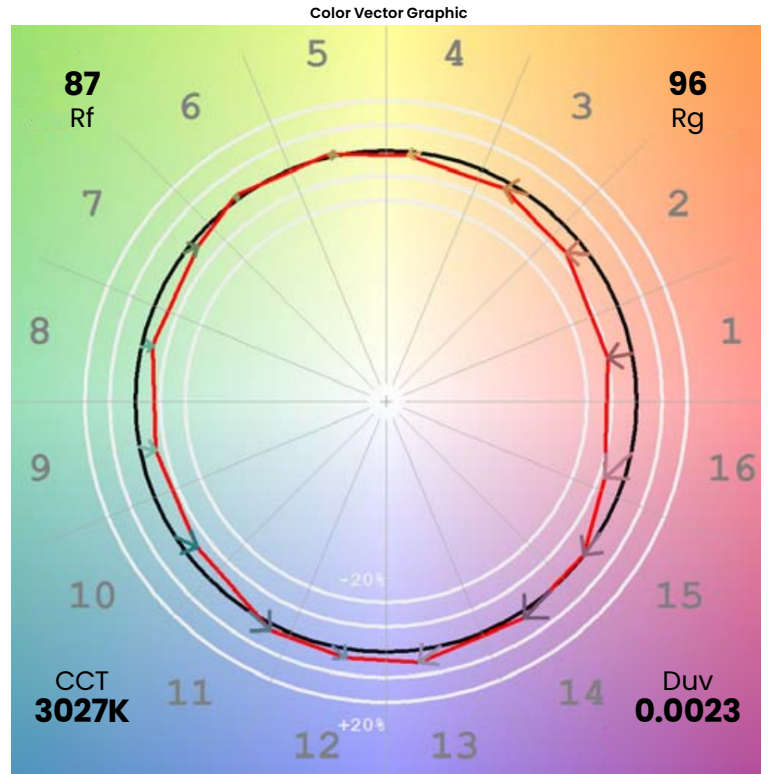
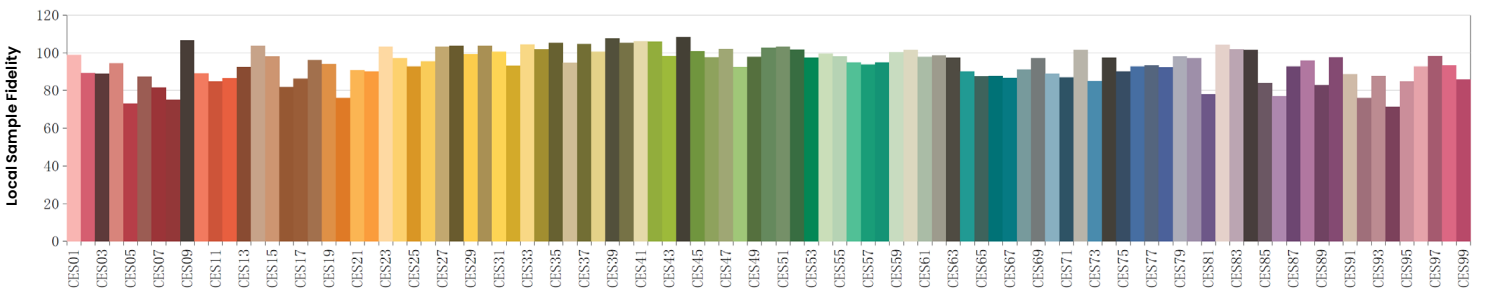
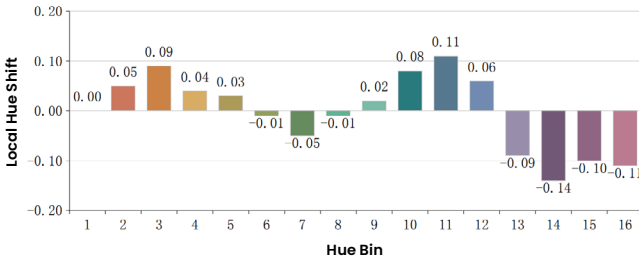
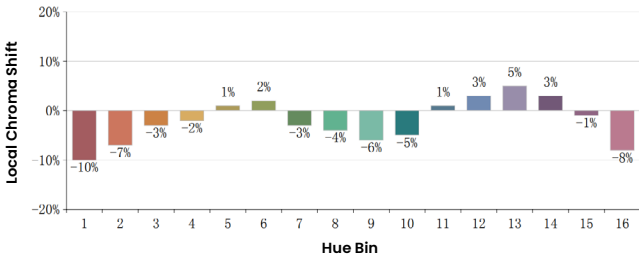
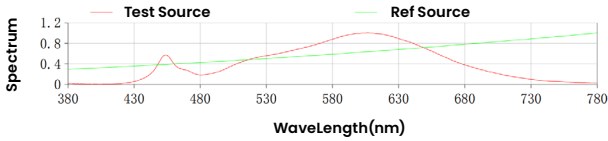
*The Wick Resistant Wire Ferrule is built into the lead wire, 4.5" (115mm) from the BL Neonview Termination Connection, for additional moisture ingress protection. Removal of the Wick Resistant Wire Ferrule may void your warranty.



Colorimetric Details

CCT	CRI	Rf	Rg
3000K	85	87	96

Rf: 87 CCT: 3027K u': 0.2488
Rg: 96 Duv: 0.0023 v': 0.5240



*All results in accordance with ANSI C78.377 standard

