

# Bright Side H RGBW

BL Neonview

Diffused, Flexible, Linear LED Lighting,  
24VDC, Constant Voltage, Horizontal Bend,  
Bright Side Profile, Silicone, Color Changing



Where color changing effects are essential, Bright Side H RGBW is the solution, with a wider profile lens delivering over 153 lm/ft of uniform, dot-free illumination. The flexible, square shaped Silicone encapsulated diffuser bends horizontally alongside the light surface with a 120° beam distribution and is perfect for circles, contours and side-emitting light. Rated for a range of operating temperatures from -40° F to 113° F (-40° C to 45° C) and IP68 built with seamless IP68 wet location rated injection molded terminations for excellent weatherability in the most extreme environmental conditions.

CLIENT	
PROJECT NAME	
LOCATION	
DATE	

**Dot-free** **Seamless connections** **-40°F to 113°F (-40°C to 45°C)** **Color Changing**

## Product Detail



<b>Lighting</b>	Lamp	LED, SMD 5050
	LED's Per Foot	26 LEDs/ft (84 LEDs/m)
	Beam Angle	120°
	Average Life	50,000 Hours
<b>Electrical</b>	Controls	DMX, Bluetooth
	Input Voltage	24VDC
	Max Input Current	4.12A
	Connections	20AWG, Copper Conductors
	Power Cable Length	Standard 10ft (3m). Also available in 16ft (5m) and 32ft (10m)
<b>Mechanical</b>	Circuit	Class 2
	Housing Construction	Injection Moulded White Silicone
	Minimum Bend Radius	5.9" (150mm)
	Operating Temperature	-40°F to 113°F (-40°C to 45°C)
<b>Environmental</b>	Ingress Protection	IP68
	Impact Protection	IK10
	Vibration Rating	3G
	Resistance	UV, Flame, Solvents and Saltwater Resistant
	Certifications	cULus, CE, RoHS Compliant

## Performance

CCT/Color		RGB	RGBW (2700K)	RGBW (3000K)	RGBW (4000K)
Power	W/FT (W/m)	3.66 (12)	4.57 (15)		
Lumens	lm/FT (lm/m)	101 (331)	153 (502)	153 (502)	153 (502)
Efficacy	lm/W	28	33	33	33
CRI	CRI	-	80 (white LED only)		
Increment	inch (mm)	3.28 (83.3)			
Max. Length	ft (m)	24ft 6in (7.5m)	19ft 6in (5.95m)		

## Ordering

Product Code	Series	Color	Input Voltage	IP Rating
BHC	N	RGB RGBW(2700K) RGBW(3000K) RGBW(4000K)	24	IP68

**Note:**  
Lengths, Lead Orientations & Mounting Accessories for Neonview must be confirmed at time of order.

**BL LIGHTING**  
ILLUMINATE EVERYTHING

111 - 8838 Heather St. Vancouver, BC, Canada. V6P 3S8  
P: 1-804-874-4405 E: info@bllighting.com  
Copyright © BL INNOVATIVE LIGHTING. All Rights Reserved.

Solid State Lighting is sensitive to power fluctuations. Surge protection is highly recommended for all LED lighting products and should be on a dedicated circuit to protect against premature failure. Lack of surge protection may void your warranty.

Designed & Assembled in North America.

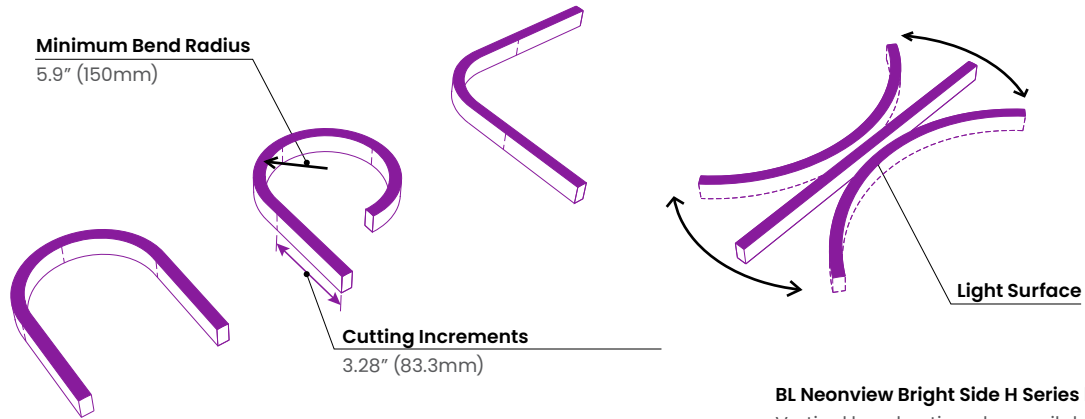
Specifications subject to change without notice. Please refer to our website at [bllighting.com](http://bllighting.com) for current technical data.

For more information, please download the BL LIGHTING catalog

[bllighting.com](http://bllighting.com)



## Minimum Bend Radius and Bend Orientation

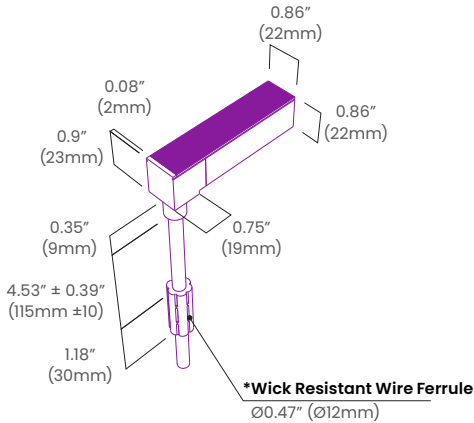


**BL Neonview Bright Side H Series bends horizontally**  
Vertical bend option also available (V Series)

## Dimensions & Lead Orientations

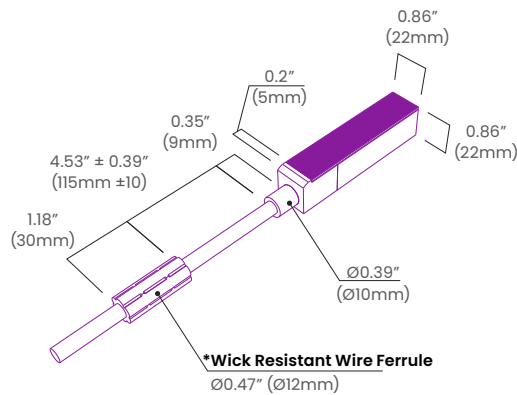
### Back Lead

NVS RGBW BRSL BC 68

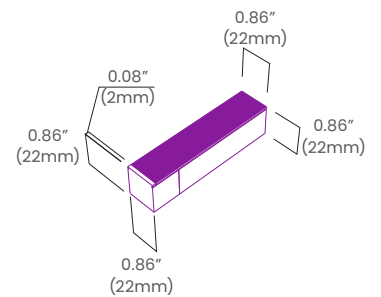


### End Lead

NVS RGBW BRSL EC 68

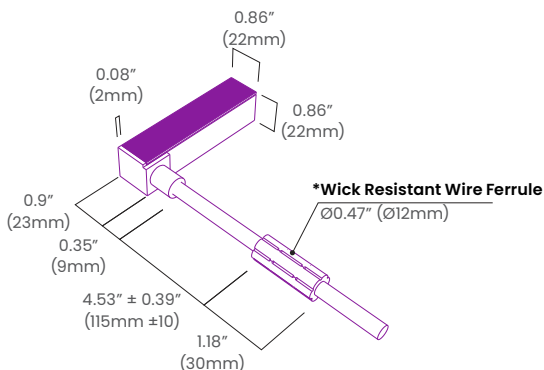


### End Cap



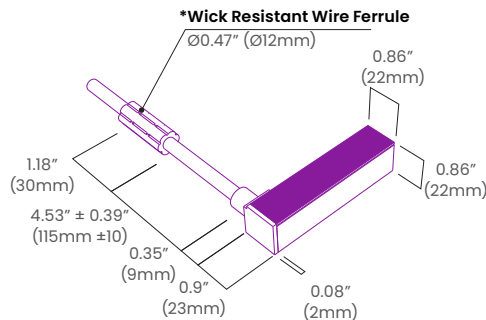
### Right Side Lead

NVS RGBW BRSL RC 68



### Left Side Lead

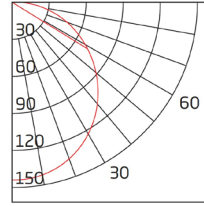
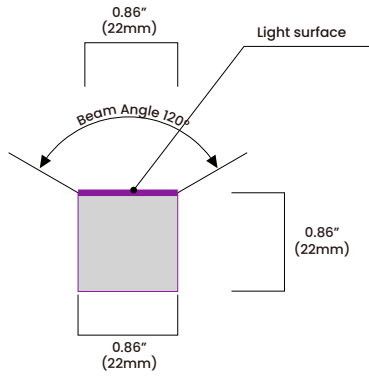
NVS RGBW BRSL LC 68



\*The Wick Resistant Wire Ferrule is built into the lead wire, 4.5" (115mm) from the BL Neonview Termination Connection, for additional moisture ingress protection. Removal of the Wick Resistant Wire Ferrule may void your warranty.



## Beam Angle



Unit: cd  
— C90/270

Average Beam Angle (50%): 113.2°

