

# Bright Side H Pixel ID

BL Neonview

Diffused, Flexible, Linear LED Lighting,  
24VDC, Constant Voltage, Horizontal Bend,  
Bright Side Profile, Silicone, Color Chasing

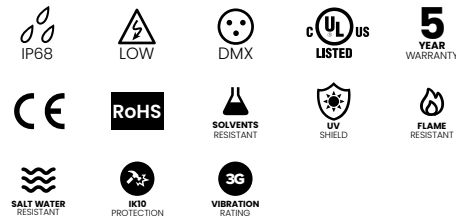


Create expressive motion, chase, and pixel effects beyond RGBW color changing and fading, allowing for dynamic animations and mesmerizing lighting displays. The Bright Side H Pixel ID has a wider profile lens that delivers up to 268 lm/ft of uniform, dot-free illumination. The flexible, square shaped Silicone encapsulated diffuser bends horizontally alongside the light surface with a 120° beam distribution and is perfect for circles, contours and side-emitting light.

|              |  |
|--------------|--|
| CLIENT       |  |
| PROJECT NAME |  |
| LOCATION     |  |
| DATE         |  |

Dot-free Seamless connections -40°F to 113°F (-40°C to 45°C) Color Chasing

## Product Detail



|               |                       |  |
|---------------|-----------------------|--|
| Lighting      | Lamp                  | LED, SMD 5050  |
|               | LED's Per Foot        | 26 LEDs/ft (84 LEDs/m)   |
|               | Beam Angle            | 120°   |
|               | Average Life          | 50,000 Hours   |
| Electrical    | Controls              | DMX  |
|               | Input Voltage         | 24VDC  |
|               | Max Input Current     | 4.12A  |
|               | Connections           | 18AWG, Copper Conductors                                       |
|               | Power Cable Length    | Standard 10ft (3m). Also available in 16ft (5m) and 32ft (10m) |
| Mechanical    | Circuit               | Class 2  |
|               | Housing Construction  | Injection Moulded White Silicone                               |
|               | Minimum Bend Radius   | 5.9" (150mm)   |
|               | Operating Temperature | -40°F to 113°F (-40°C to 45°C)                                 |
| Environmental | Ingress Protection    | IP68   |
|               | Impact Protection     | IK10   |
|               | Vibration Rating      | 3G   |
|               | Resistance            | UV, Flame, Solvents and Saltwater Resistant                    |
|               | Certifications        | cULus, CE, RoHS Compliant                                      |

## Performance

| CCT/Color   |              | RGB              | RGBW (2700K)        | RGBW (3000K) | RGBW (4000K) |
|-------------|--------------|------------------|---------------------|--------------|--------------|
| Power       | W/FT (W/m)   | 5.03 (16.5)      | 6.70 (22)           |              |              |
| Lumens      | lm/FT (lm/m) | 163 (535)        | 268 (879)           | 268 (879)    | 268 (879)    |
| Efficacy    | lm/W         | 32               | 40                  | 40           | 40           |
| CRI         | CRI          | -                | 80 (white LED only) |              |              |
| Increment   | inch (mm)    | 3.28 (83.3)      |                     |              |              |
| Max. Length | ft (m)       | 17ft 6in (5.33m) | 13ft 3in (4.04m)    |              |              |

## Ordering

| Product Code | Series | Color       | Input Voltage | IP Rating |
|--------------|--------|-------------|---------------|-----------|
| BHPXID       | N      |             | 24            | IP68      |
|              |        | RGB         |               |           |
|              |        | RGBW(2700K) |               |           |
|              |        | RGBW(3000K) |               |           |
|              |        | RGBW(4000K) |               |           |

**Note:**  
Lengths, Lead Orientations & Mounting Accessories for Neonview must be confirmed at time of order.

**BL LIGHTING**  
ILLUMINATE EVERYTHING

111 - 8838 Heather St. Vancouver, BC, Canada. V6P 3S8  
P: 1-804-874-4405 E: info@bllighting.com  
Copyright © BL INNOVATIVE LIGHTING. All Rights Reserved.

Solid State Lighting is sensitive to power fluctuations. Surge protection is highly recommended for all LED lighting products and should be on a dedicated circuit to protect against premature failure. Lack of surge protection may void your warranty.

Designed & Assembled in North America.

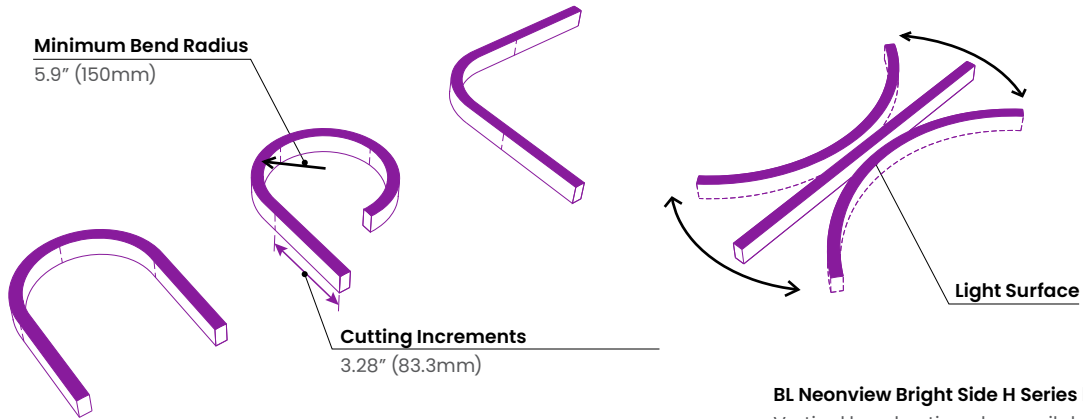
Specifications subject to change without notice. Please refer to our website at bllighting.com for current technical data.

For more information, please download the BL LIGHTING catalog

bllighting.com



## Minimum Bend Radius and Bend Orientation

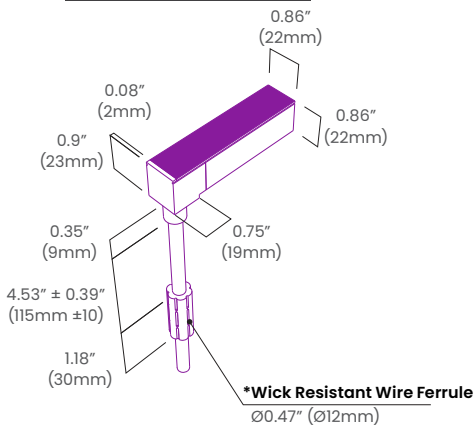


**BL Neonview Bright Side H Series bends horizontally**  
Vertical bend option also available (V Series)

## Dimensions & Lead Orientations

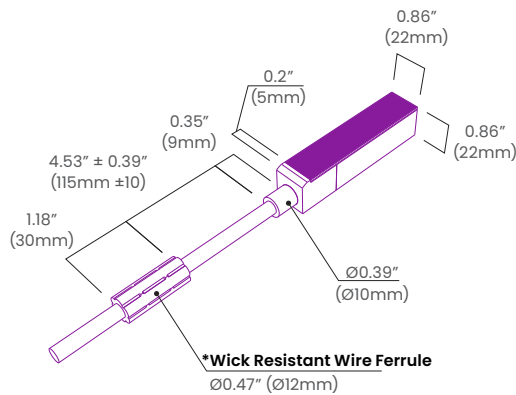
### Back Lead

NVS IC BRSL BC 68

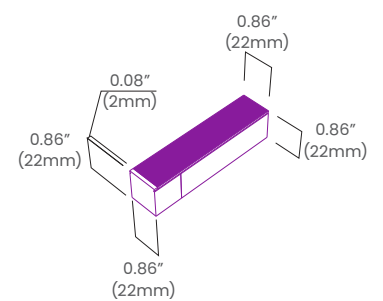


### End Lead

NVS IC BRSL EC 68

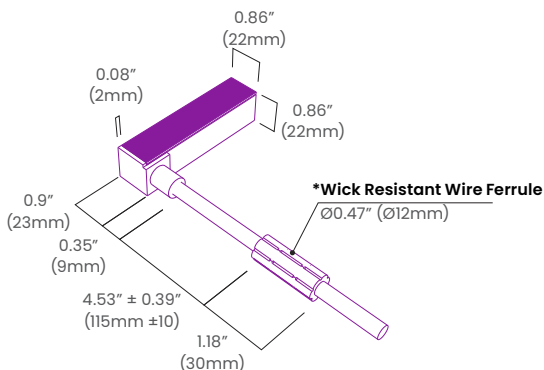


### End Cap



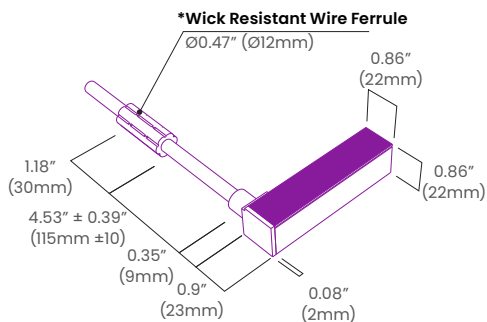
### Right Side Lead

NVS IC BRSL RC 68



### Left Side Lead

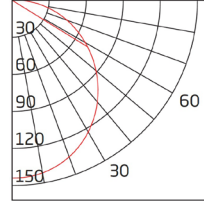
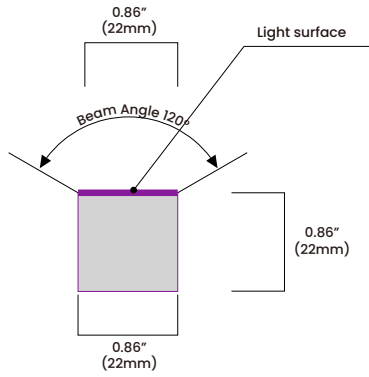
NVS IC BRSL LC 68



\*The Wick Resistant Wire Ferrule is built into the lead wire, 4.5" (115mm) from the BL Neonview Termination Connection, for additional moisture ingress protection. Removal of the Wick Resistant Wire Ferrule may void your warranty.



## Beam Angle



Unit: cd  
— C90/270

Average Beam Angle (50%): 112.1°

