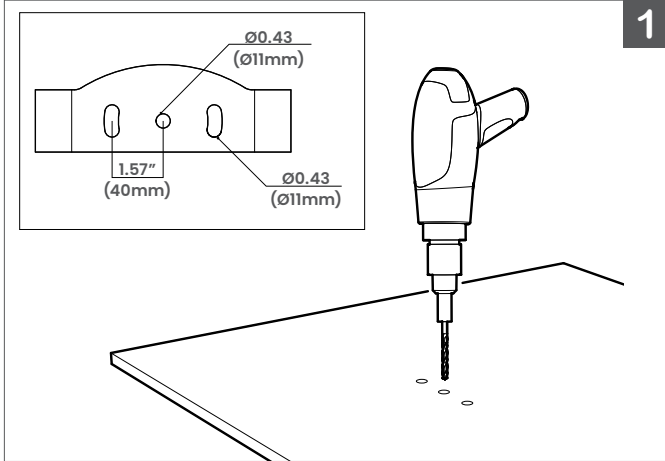




Please note that these instructions are guidelines only and in no way supersede any construction or installation standards. Local building and electrical codes should be consulted before installation.

ATTENTION

- There is potential danger of electrical shock when operating electrical components.
- Make sure power is turned off before installation.
- Allow for heat dissipation and adequate ventilation.



1.

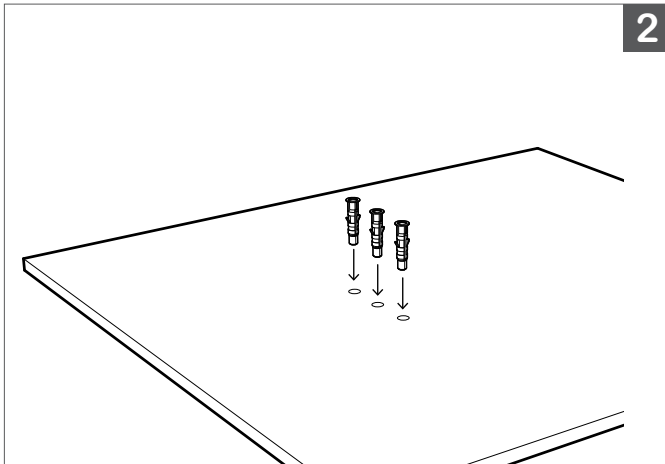
A. Align the bracket on the surface and mark the holes spaced 1.57" (40mm) apart.

B. Drill Ø0.43" (11mm) holes at the marked points.

NOTE: Anchoring methods must be selected based on the installation surface.

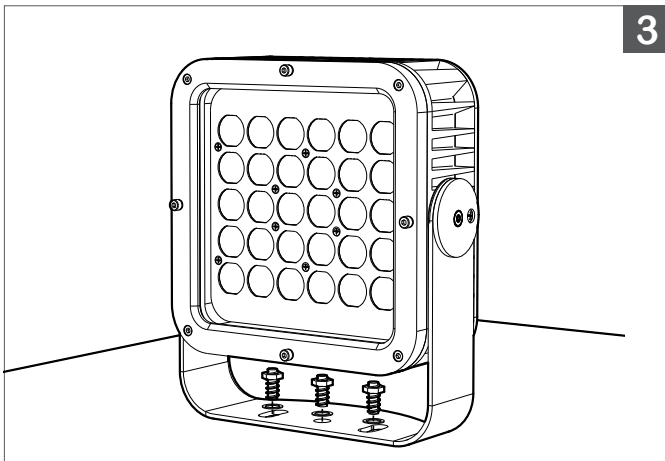
- For concrete surfaces: Use expansion bolts.
- For thin or hollow materials: Use through bolts with washers and nuts.
- For soil or grassy areas: A stable base (e.g., concrete footing or ground spike) is required to ensure secure mounting.

Always ensure fasteners are rated for the site conditions.



2.

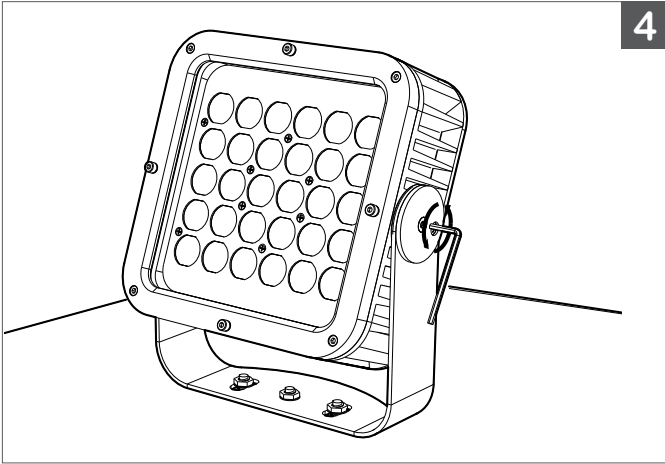
Push the anchors into the drilled holes until they are flush with the surface.



3.

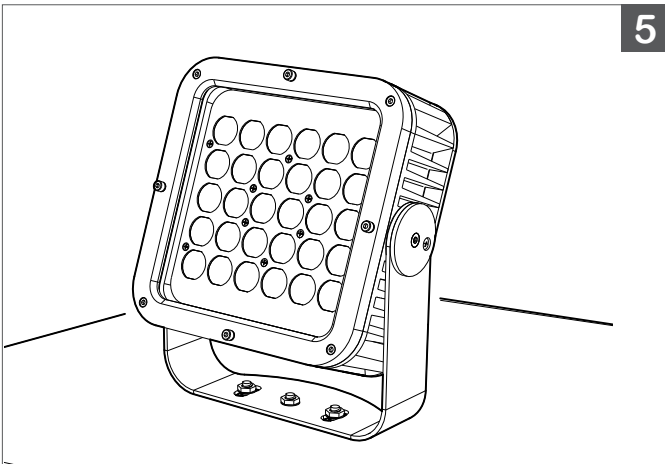
Align the fixture with the anchors and secure it using screws through the mounting holes. Tighten firmly.



4

4.

Use Hex Key tilt the fixture to the desired angle and tighten the side screws to lock it in place.

5

5.

Done

