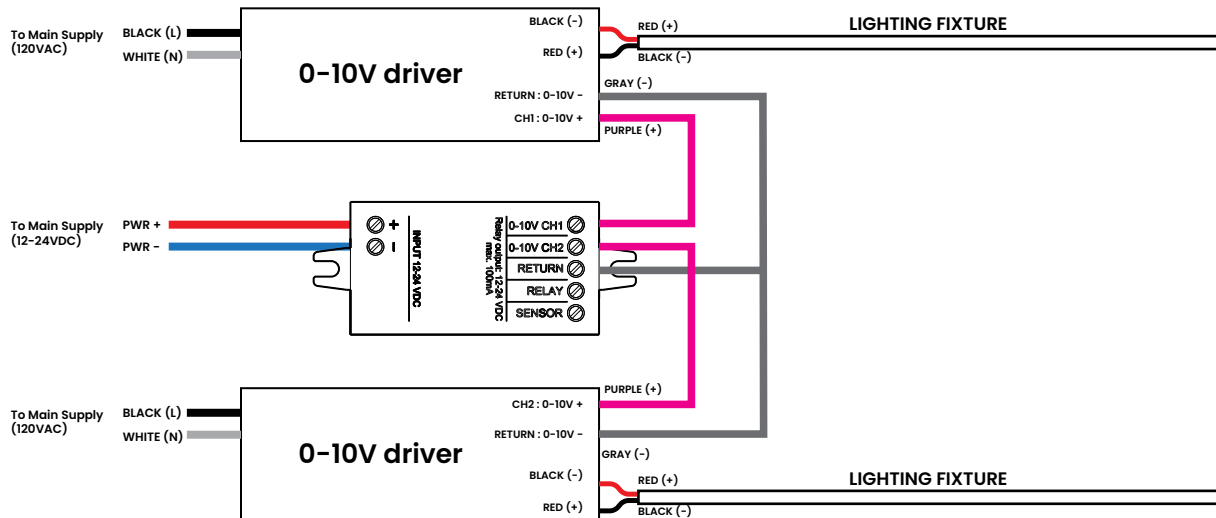
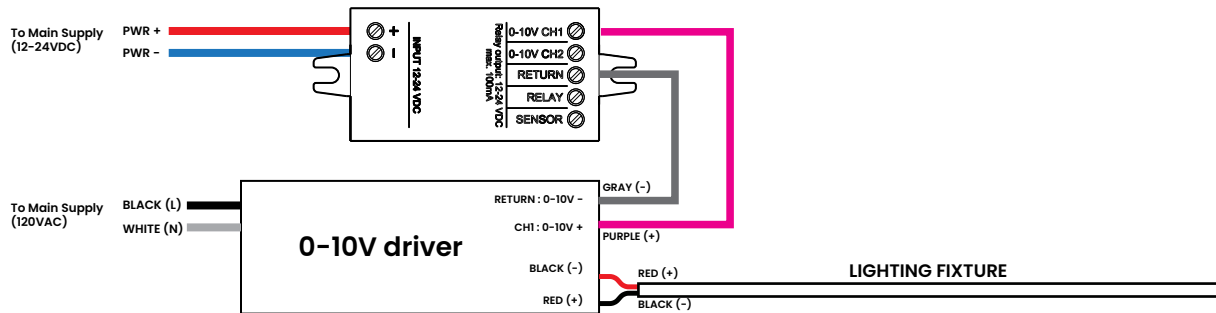


1. Lights Control

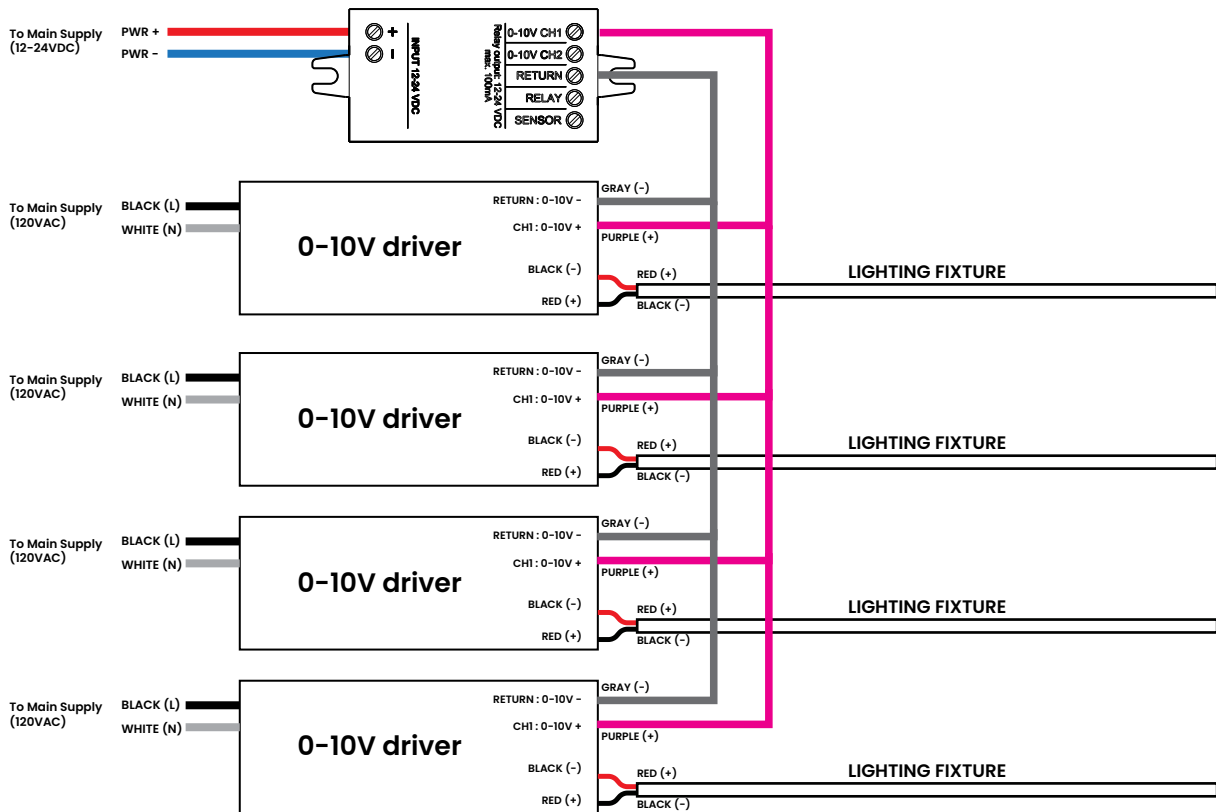
A. To control your lights with the BLE 010V 2CH controller please download the Casambi App available for Android (Google Play) and IOS (App Store) and follow the instructions on the manual attached.

2. Wiring Diagram



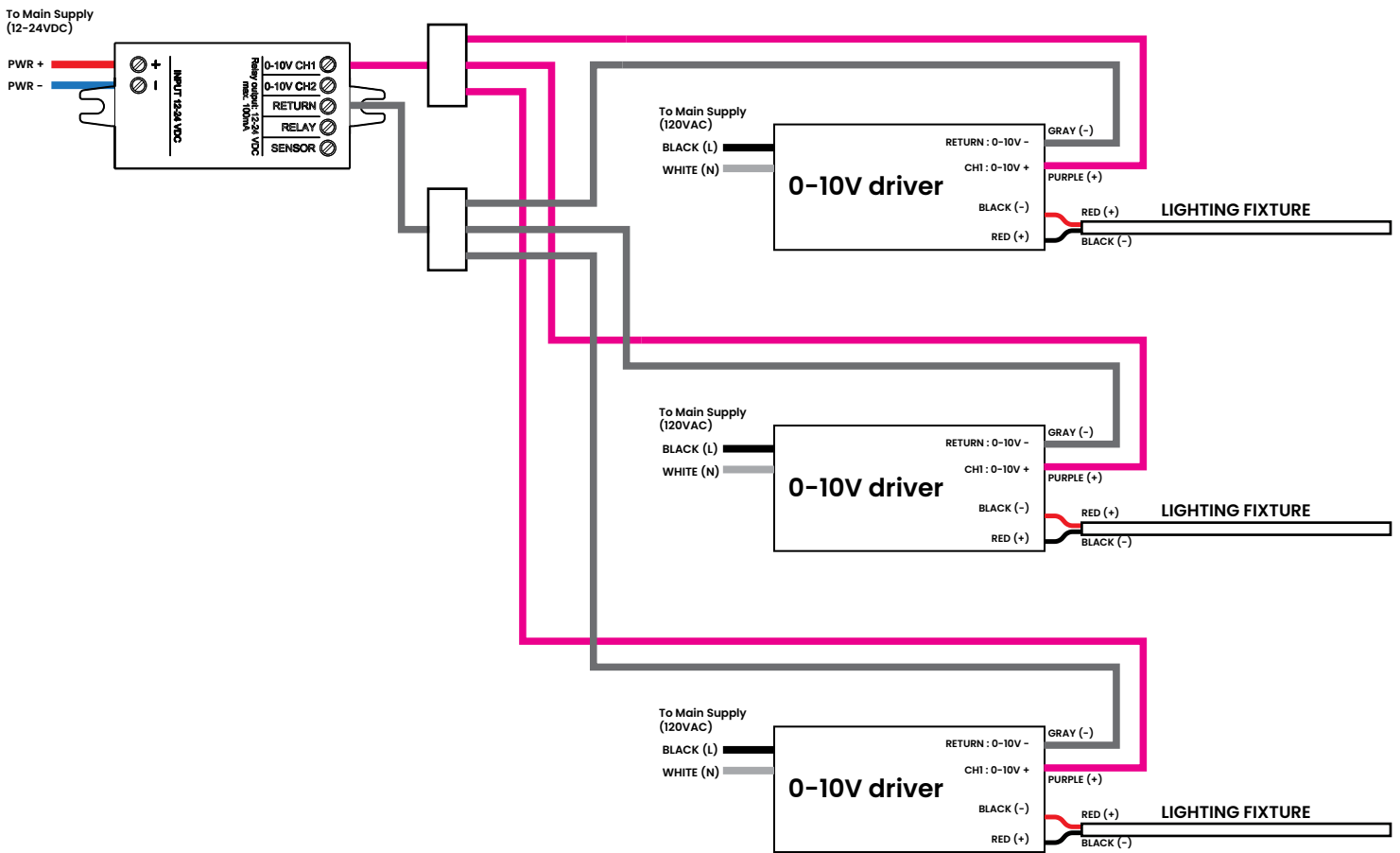
3. Wiring Diagram

Signal wire is spliced at each driver



4. Wiring Diagram

Wire splice connector block



5. Wiring Diagram

Wire splice connector block

