



Please note that these instructions are guidelines only and in no way supersede any construction or installation standards.

Local building and electrical codes should be consulted before installation.

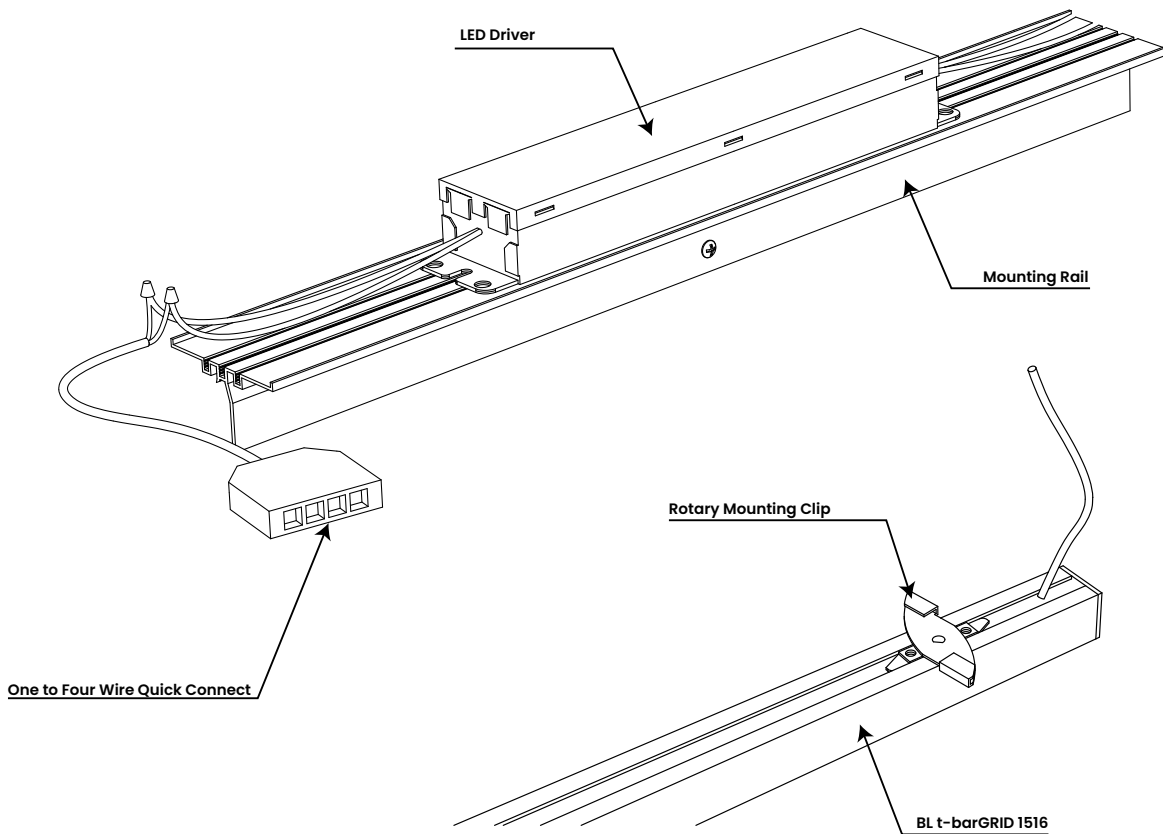
### ATTENTION

- There is potential danger of electrical shock when operating electrical components.
- Make sure power is turned off before installation.
- Allow for heat dissipation and adequate ventilation.

Read all instructions prior to beginning installation.

Take appropriate safety precautions, and wear safety glasses and gloves when installing, maintaining or servicing luminaires. Bench test luminaires prior to installing onto your suspended ceiling grid system. Turn power off from the electrical panel prior to starting installation.

BL t-barGRID is designed to mount directly to the cross bar tees of an existing suspended grid ceiling.



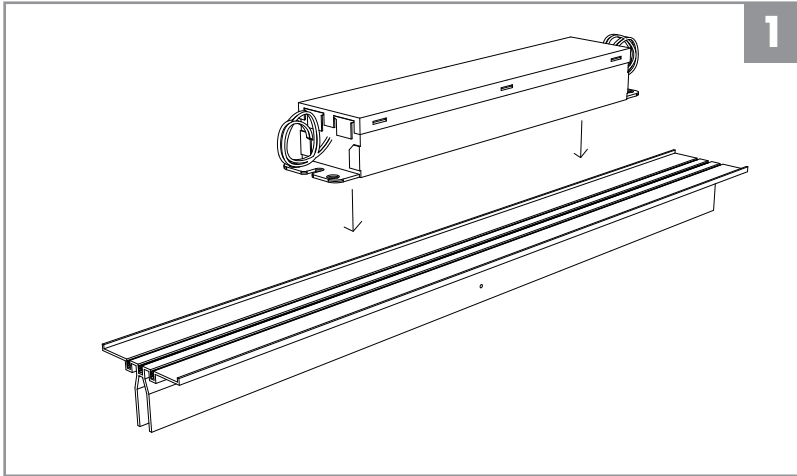


Please note that these instructions are guidelines only and in no way supersede any construction or installation standards.

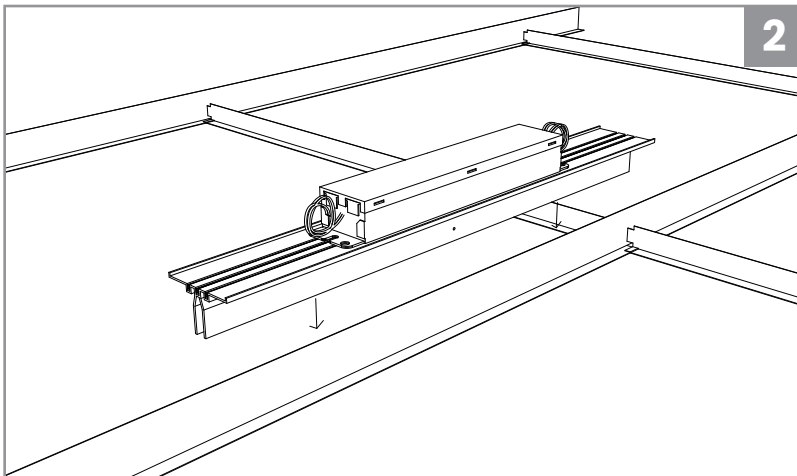
Local building and electrical codes should be consulted before installation.

#### ATTENTION

- There is potential danger of electrical shock when operating electrical components.
- Make sure power is turned off before installation.
- Allow for heat dissipation and adequate ventilation.



1. Secure the LED Driver to the Mounting Rail. Remove adjacent ceiling tiles and install Mounting Rail over top of t-bar.



2. Set Mounting Rail in place over the t-bar grid, lowering it down until you reach the end of the t-bar.



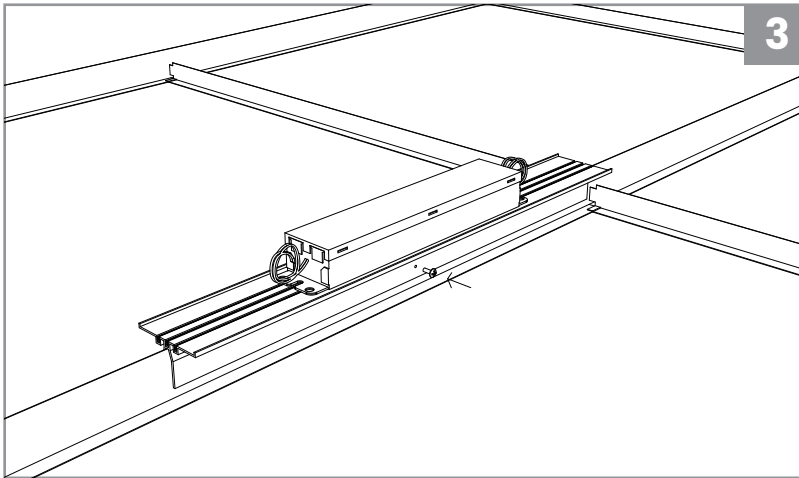


Please note that these instructions are guidelines only and in no way supersede any construction or installation standards.

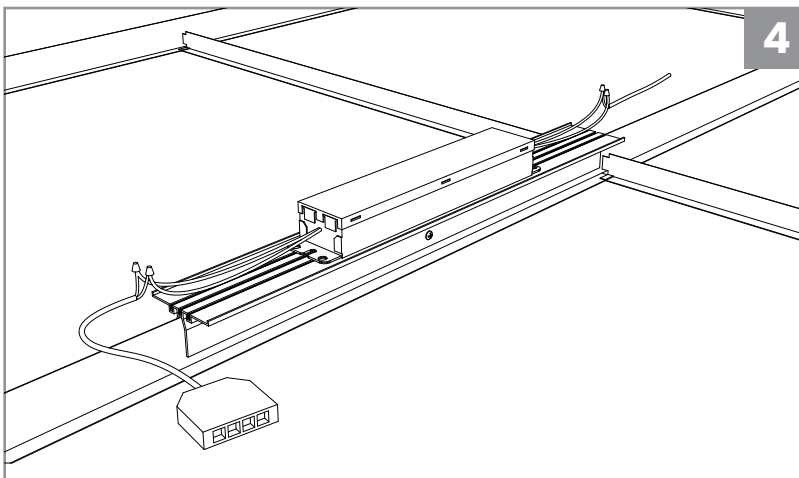
Local building and electrical codes should be consulted before installation.

### ATTENTION

- There is potential danger of electrical shock when operating electrical components.
- Make sure power is turned off before installation.
- Allow for heat dissipation and adequate ventilation.



3. Ensure that the Mounting Rail is in place, reaching the end, and then fasten securely to the t-bar grid using screws.



4. Connect the One to Four Wire Quick Connect to the 24VDC output of the LED Driver.



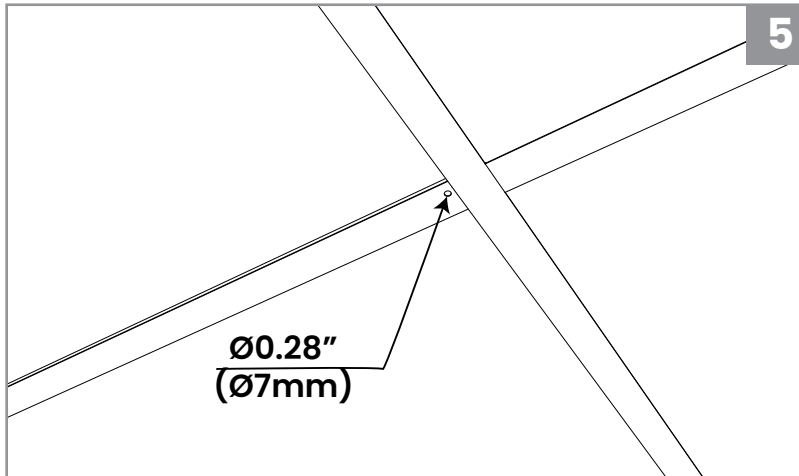


Please note that these instructions are guidelines only and in no way supersede any construction or installation standards.

Local building and electrical codes should be consulted before installation.

### ATTENTION

- There is potential danger of electrical shock when operating electrical components.
- Make sure power is turned off before installation.
- Allow for heat dissipation and adequate ventilation.

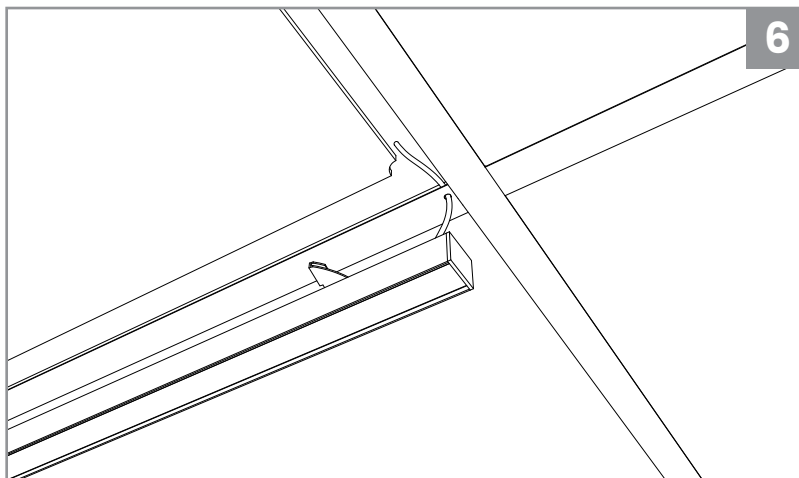


5.

BL t-barGRID installs directly onto the cross tees of the suspended ceiling grid system.

Mark desired location, and drill a hole in the t-bar to allow the Luminaire lead wire to pass through.

A minimum 0.28 inch (0.7mm) diameter is recommended.



6.

Taking care to avoid damage, thread the lead wire through the hole.



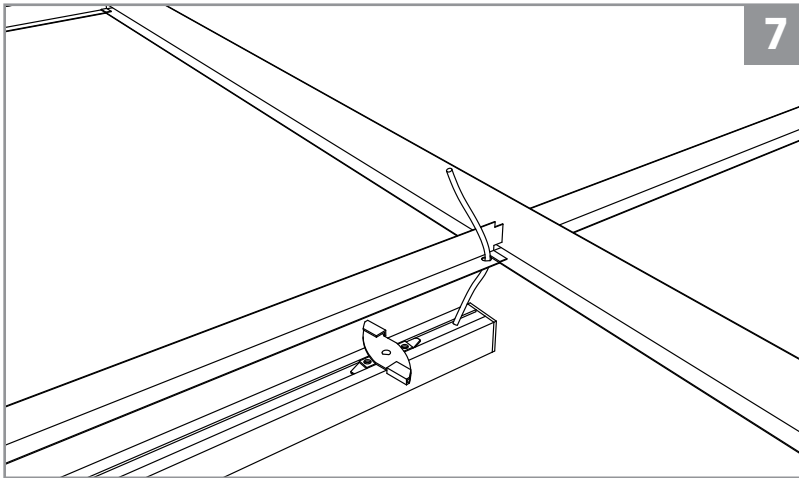


Please note that these instructions are guidelines only and in no way supersede any construction or installation standards.

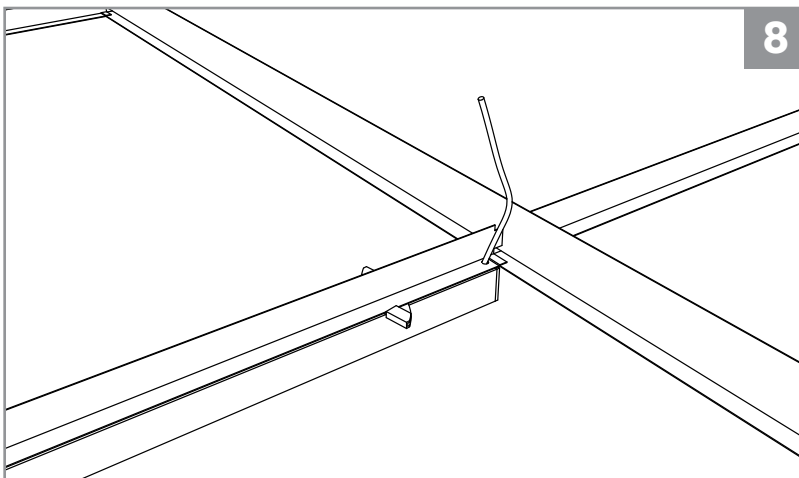
Local building and electrical codes should be consulted before installation.

### ATTENTION

- There is potential danger of electrical shock when operating electrical components.
- Make sure power is turned off before installation.
- Allow for heat dissipation and adequate ventilation.



7. While gradually pulling the wire through, gently raise the luminaire up until it makes contact with the t-bar.



8. Ensure that the Luminaire is fully raised and ready to lock in place with the Rotary Mounting Clip.



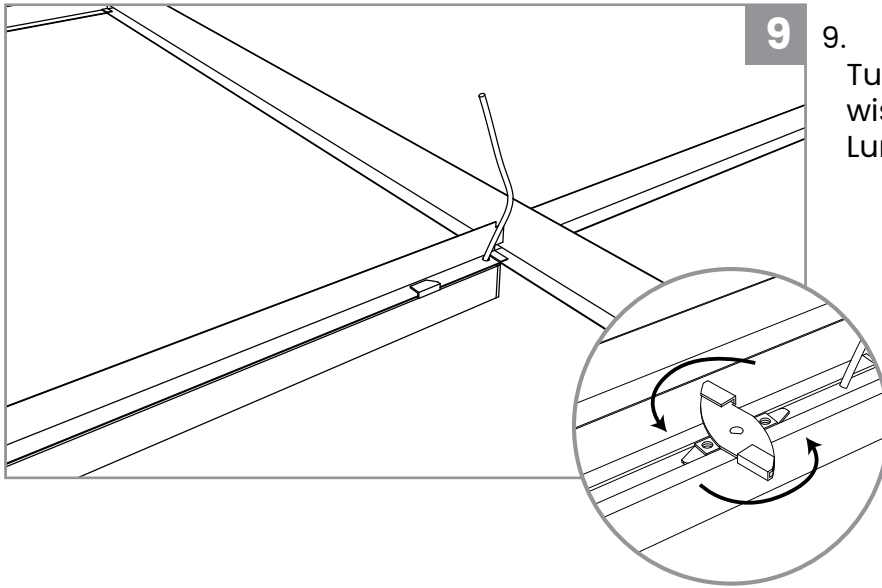


Please note that these instructions are guidelines only and in no way supersede any construction or installation standards.

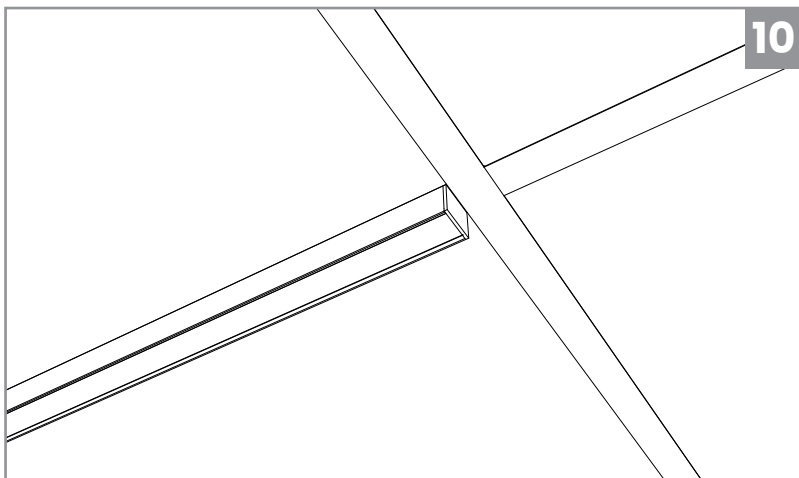
Local building and electrical codes should be consulted before installation.

### ATTENTION

- There is potential danger of electrical shock when operating electrical components.
- Make sure power is turned off before installation.
- Allow for heat dissipation and adequate ventilation.



**9.** Turn the Rotary Mounting Clip in a clockwise direction, and securely fasten the Luminaire directly to the t-bar.



**10.** Make sure it's securely fastened.





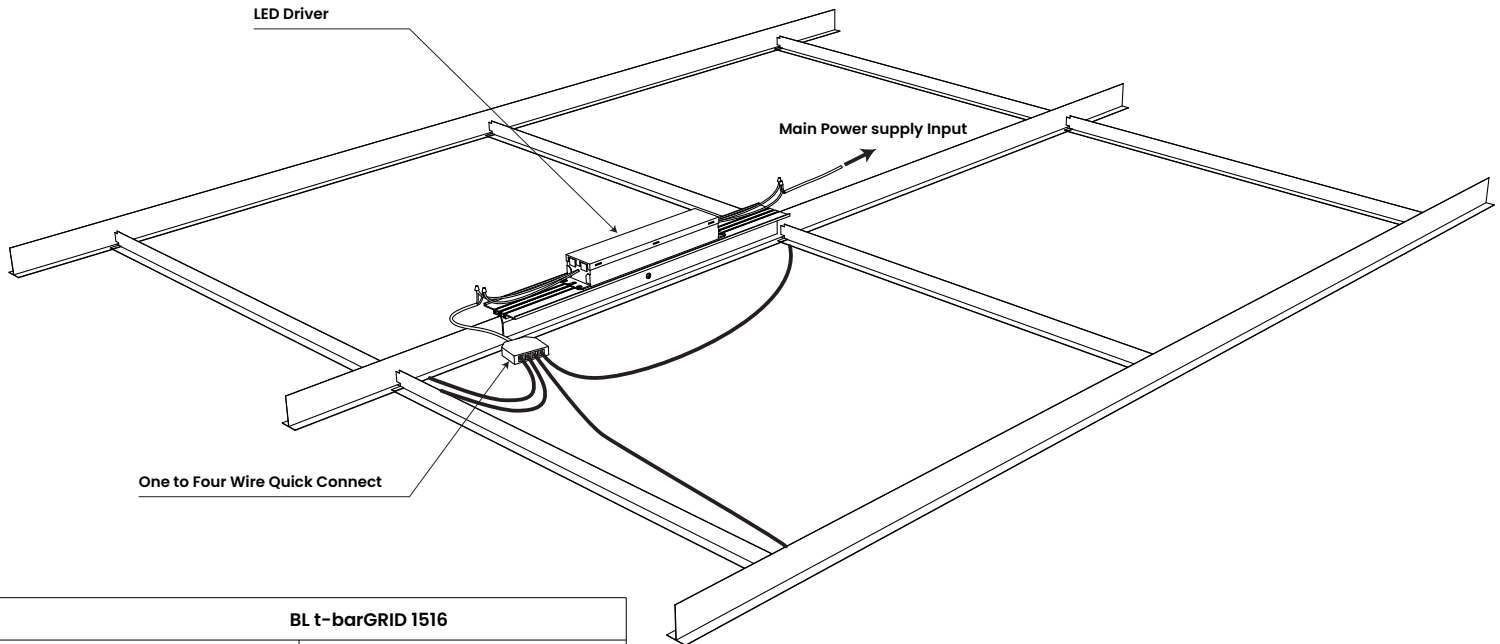
Please note that these instructions are guidelines only and in no way supersede any construction or installation standards.

Local building and electrical codes should be consulted before installation.

### ATTENTION

- There is potential danger of electrical shock when operating electrical components.
- Make sure power is turned off before installation.
- Allow for heat dissipation and adequate ventilation.

Up to (8) 2ft, or (4) 4ft BL t-barGRID Luminaires may be connected when using a 96W LED Driver.



BL t-barGRID 1516	
BL t-barGRID TG1516-24 (2ft)	Maximum 8 per 96W Driver
BL t-barGRID TG1516-24 (4ft)	Maximum 4 per 96W Driver

Installer is responsible for ensuring ceilings are adequately reinforced to support luminaire weight. BL Lighting accepts no responsibility for inadequately reinforced ceilings.





Please note that these instructions are guidelines only and in no way supersede any construction or installation standards.

Local building and electrical codes should be consulted before installation.

### ATTENTION

- There is potential danger of electrical shock when operating electrical components.
- Make sure power is turned off before installation.
- Allow for heat dissipation and adequate ventilation.

### T-Bar Grid Type: 15/16"

#### Square Lay-In

#### Regular

