

**BL spotGLOBE**

Customizable LED String Light  
24VDC, Constant Voltage

**LED Series**

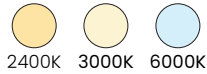
Printed



**Certification**



**Lighting**



Lamp	LED, Frosted Optic
Power	0.75W
Average Life	15,000 Hours
Lumens	43 - 50 lm/Lamp
Efficacy	57 - 67 lm/W

**Electrical**

Control	0-10V, MLV
Input Voltage	24VDC
Max Input Current	5A, Maximum 130 Lamps per Series
Connections	16AWG, Copper Conductors
Operating Temperature	-4°F to 104°F (-20°C to 40°C)
Circuit	Class 2

**Mechanical**

Housing Construction	UV Stabilized Polycarbonate Globe
Base	E10
Weight	0.049lb (22g)
Environmental	IP65
Mounting	Insulated Clip, Aircraft Cable
Lamp Spacing	3", 4", 6", 9", 12", 18", 24"

PROJECT

CLIENT

TYPE

Solid State Lighting is sensitive to power fluctuations  
Surge protection is highly recommended for all LED lighting products and should be on a designated circuit to protect against premature failure  
Lack of surge protection may void your warranty

For more information, please download the  
**BL LIGHTING** catalogue

**BL LIGHTING. ILLUMINATE EVERYTHING**

111 - 8838 Heather St. Vancouver, BC, Canada. V6P 3S8  
P: 1-604-874-4405 E: info@blighting.com  
Copyright © BL INNOVATIVE LIGHTING. All Rights Reserved.

**blighting.com**



**BL spotGLOBE**

Customizable LED String Light  
24VDC, Constant Voltage

**LED Series**

Printed

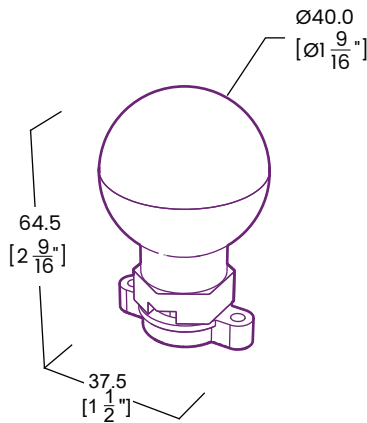
**Performance**

CCT/Color	Load	Lumens	Efficacy
2400K	0.75 W/LAMP	43 lm/LAMP	57 lm/W
3000K	0.75 W/LAMP	43 lm/LAMP	57 lm/W
6000K	0.75 W/LAMP	50 lm/LAMP	67 lm/W

**Ordering**

Series	CCT/Color	Lamp Spacing/Max. Length
BL spotGLOBE LED	<input type="text"/>	<input type="text"/>
	24 = 2400K 30 = 3000K 60 = 6000K	03 = 3" o.c. 30 ft 04 = 4" o.c. 40 ft 06 = 6" o.c. 60 ft 09 = 9" o.c. 80 ft 12 = 12" o.c. 93 ft 18 = 18" o.c. 112 ft 24 = 24" o.c. 130 ft

**Dimensions**



PROJECT

CLIENT

TYPE

Solid State Lighting is sensitive to power fluctuations  
Surge protection is highly recommended for all LED lighting products and should be on a designated circuit to protect against premature failure  
Lack of surge protection may void your warranty

For more information, please download the  
**BL LIGHTING** catalogue

**BL LIGHTING. ILLUMINATE EVERYTHING**

111 - 8838 Heather St. Vancouver, BC, Canada. V6P 3S8  
P: 1-604-874-4405 E: info@bllighting.com  
Copyright © BL INNOVATIVE LIGHTING. All Rights Reserved.

**bllighting.com**

