

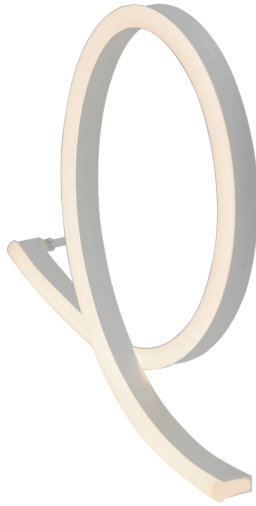
**BL neonVIEW**

Diffused, Flexible, Linear LED Lighting, 24VDC, Constant Voltage

**TUNABLE DOME SI**

Tunable White, Dome Profile, Silicone

Printed



**Certification**



**Lighting**



Lamp Load	43 LEDs/ft (144 LEDs/m)
Beam Angle	3.66 W/FT
Average Life	160°
Lumens	50,000 Hours
Efficacy	* 135 lm/FT
	* 37 lm/W

**Electrical**

Control	DMX, Bluetooth
Input Voltage	24VDC
Max Input Current	4.12A (White)
Connections	18AWG, Copper Conductors
Operating Temperature	-40°F to 131°F (-40°C to 55°C)
Circuit	Class 2

**Mechanical**

Housing Construction	Injection Moulded White Silicone
Cutting Increments	3-9/32" (83.3mm)
Maximum Run Length	24'11" (7.9m)
Medial Bend Radius	60mm (2-1/4")
Environmental	IP68 (Seamless Injection)
Mounting	Clip, Track

\* Please refer to the performance table on the following page

PROJECT

CLIENT

TYPE

Solid State Lighting is sensitive to power fluctuations  
Surge protection is highly recommended for all LED lighting products and should be on a designated circuit to protect against premature failure  
Lack of surge protection may void your warranty

For more information, please download the **BL LIGHTING** catalogue

BL LIGHTING. ILLUMINATE EVERYTHING

111 - 8838 Heather St. Vancouver, BC, Canada. V6P 3S8  
P: 1-604-874-4405 E: info@blighting.com  
Copyright © BL INNOVATIVE LIGHTING. All Rights Reserved.

[blighting.com](http://blighting.com)



**BL neonVIEW**

Diffused, Flexible, Linear LED Lighting, 24VDC, Constant Voltage

**TUNABLE DOME SI**

Tunable White, Dome Profile, Silicone

Printed

**Performance**

CCT/Color	Load	Lumens	Efficacy	Max. Length	Cutting Increments
2200 (WW)		63 lm/FT	36 lm/W		
5700 (W)		75 lm/FT	43 lm/W		
WW + W	3.66 W/FT	136 lm/FT	37 lm/W	24 ft 11 in	3-9/32 in (83.3mm)

**Ordering**

Product Name

CCT

Lead Orientation

Mounting Accessories

BL neonVIEW TW DM SI




2200k - 5700k

NVS DM BC 68 = Back  
 NVS DM EC 68 = End  
 NVS DM RC 68 = Right Side  
 NVS DM LC 68 = Left Side

NV CPS = Mounting Clip  
 NV CHS = Mounting Channel  
 NV RCPS = Recessed Mounting Clip  
 NV RCHS = Recessed Mounting Channel  
 NV FCHS AL = Flexible Mounting Channel

PROJECT

CLIENT

TYPE

Solid State Lighting is sensitive to power fluctuations  
 Surge protection is highly recommended for all LED lighting products and should be on a designated circuit to protect against premature failure  
 Lack of surge protection may void your warranty

For more information, please download the  
**BL LIGHTING** catalogue

BL LIGHTING. ILLUMINATE EVERYTHING

111 - 8838 Heather St. Vancouver, BC, Canada. V6P 3S8  
 P: 1-604-874-4405 E: info@blighting.com  
 Copyright © BL INNOVATIVE LIGHTING. All Rights Reserved.

**blighting.com**



**BL neonVIEW**

Diffused, Flexible, Linear LED Lighting, 24VDC, Constant Voltage

**TUNABLE DOME SI**

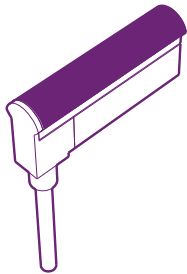
Tunable White, Dome Profile, Silicone

Printed

**Lead Orientation**

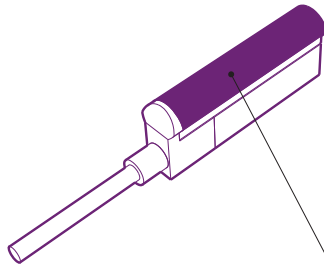
**Back Lead**

Part# NVS DM BC 68



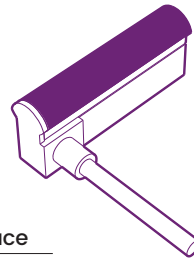
**End Lead**

Part# NVS DM EC 68



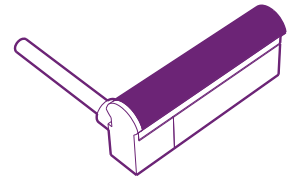
**Right Side Lead**

Part# NVS DM RC 68

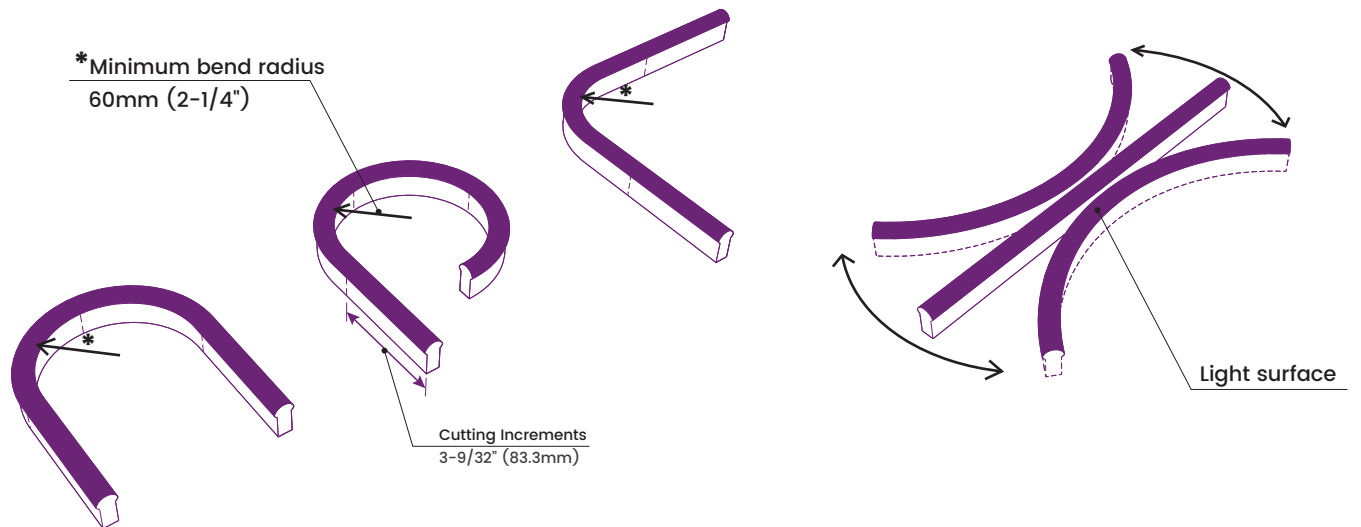


**Left Side Lead**

Part# NVS DM LC 68



**Minimum Bend Radius and Bend Orientations**



BL neonVIEW DOME Series bends horizontally  
Vertical bend option available on  
BL neonVIEW SIDE Series

PROJECT

CLIENT

TYPE

Solid State Lighting is sensitive to power fluctuations  
Surge protection is highly recommended for all LED lighting products and should be on a designated circuit to protect against premature failure  
Lack of surge protection may void your warranty

For more information, please download the  
BL LIGHTING catalogue

BL LIGHTING. ILLUMINATE EVERYTHING

111 - 8838 Heather St. Vancouver, BC, Canada. V6P 3S8  
P: 1-604-874-4405 E: info@blighting.com  
Copyright © BL INNOVATIVE LIGHTING. All Rights Reserved.

blighting.com



**BL neonVIEW**

Diffused, Flexible, Linear LED Lighting, 24VDC, Constant Voltage

**TUNABLE DOME SI**

Tunable White, Dome Profile, Silicone

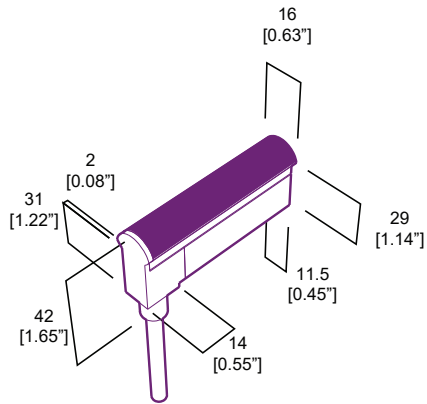
Printed



**Dimensions**

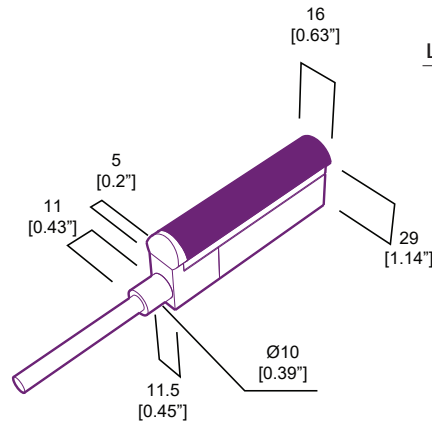
**Back Lead**

Part# NVS DM BC 68

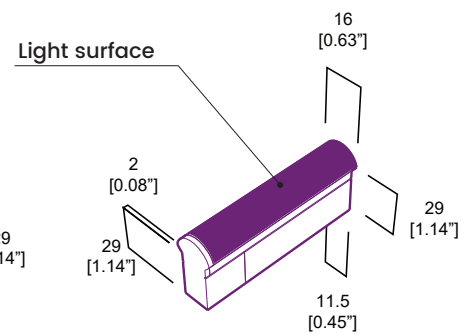


**End Lead**

Part# NVS DM EC 68

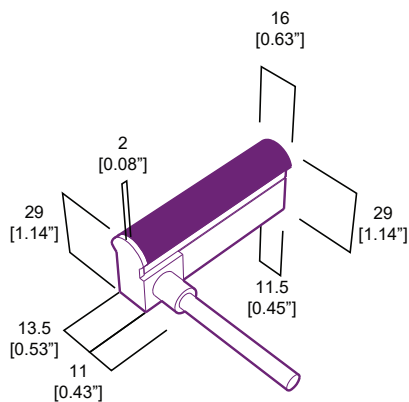


**End Cap**



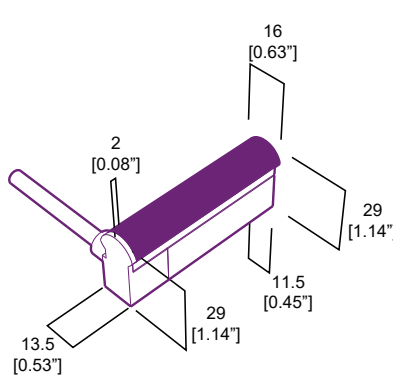
**Right Side Lead**

Part# NVS DM RC 68



**Left Side Lead**

Part# NVS DM LC 68



The tolerance of the Lead is  $\pm 0.5\text{mm}$   
For more detail, please download the CAD Drawing

PROJECT  CLIENT  TYPE

Solid State Lighting is sensitive to power fluctuations  
Surge protection is highly recommended for all LED lighting products and should be on a designated circuit to protect against premature failure  
Lack of surge protection may void your warranty

For more information, please download the  
**BL LIGHTING** catalogue

